

**Crimping contact  
HDC-C-HE-BM1.5AG**

**Weidmüller Interface GmbH & Co. KG**  
 Klingenbergstraße 26  
 D-32758 Detmold  
 Germany  
 Fon: +49 5231 14-0  
 Fax: +49 5231 14-292083  
 www.weidmueller.com



Crimps provide a electrical and mechanical connection between wire and contact that is both secure and reliable. The optimal crimp connection is gas-tight and corrosion-resistant.

**General ordering data**

Type	HDC-C-HE-BM1.5AG
Order No.	<a href="#">1201300000</a>
Version	Heavy-duty connectors, Crimp contact, HE, HEE, HQ, MixMate, Female, Conductor cross-section, max.: 1.5, turned, Copper alloy
GTIN (EAN)	4008190100346
Qty.	100 pc(s).

**Data sheet**

**Crimping contact  
HDC-C-HE-BM1.5AG**

**Weidmüller Interface GmbH & Co. KG**  
 Klingenbergstraße 26  
 D-32758 Detmold  
 Germany  
 Fon: +49 5231 14-0  
 Fax: +49 5231 14-292083  
 www.weidmueller.com

**Technical data**

**Dimensions and weights**

Net weight	1.577 g	Diameter	4.5 mm
------------	---------	----------	--------

**Environmental Product Compliance**

REACH SVHC	Lead 7439-92-1
------------	----------------

**General data**

Contact diameter, male Ø	2.5 mm	Cross-section for connected wire	1.5 mm <sup>2</sup>
Material	Copper alloy	Plugging cycles	≥ 500
Production methods	turned	Series	HE
Stripping length, rated connection	7.5 mm	Surface finish	silver
Surface layer thickness, max.	3 µm	Surface layer thickness, min.	2 µm
Type	Female	Type of connection	Crimp connection
Version insert	HE, HEE, HQ, MixMate	Volume resistance	≤ 2mΩ

**Classifications**

ETIM 6.0	EC000796	ETIM 7.0	EC000796
eClass 9.0	27-44-02-04	eClass 9.1	27-44-02-04
eClass 10.0	27-44-02-04	UNSPSC	30-21-18-01

**Approvals**

Approvals



ROHS	Conform
------	---------

**Downloads**

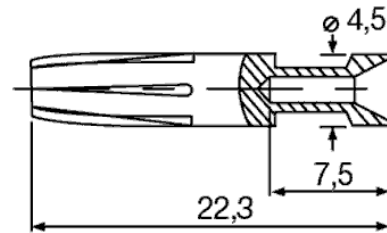
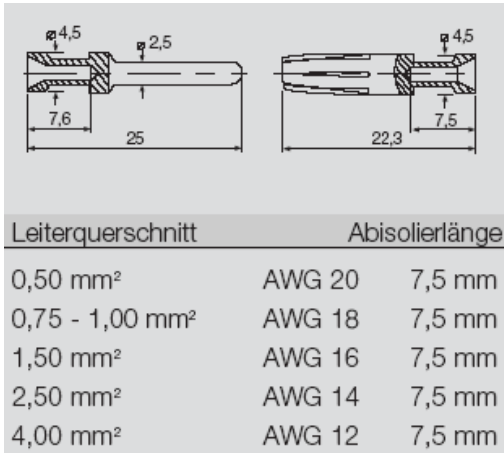
Brochure/Catalogue	<a href="#">CAT 3 HDC 17/18 EN</a> <a href="#">FL FIELDWIRING EN</a>
Engineering Data	<a href="#">EPLAN, WSCAD, Zuken E3.S</a>
Engineering Data	<a href="#">STEP</a>

**Data sheet**

**Crimping contact  
HDC-C-HE-BM1.5AG**

**Weidmüller Interface GmbH & Co. KG**  
 Klingenbergstraße 26  
 D-32758 Detmold  
 Germany  
 Fon: +49 5231 14-0  
 Fax: +49 5231 14-292083  
 www.weidmueller.com

**Drawings**



**Data sheet**

**Crimping contact  
HDC-C-HE-BM1.5AG**

**Weidmüller Interface GmbH & Co. KG**  
 Klingenbergstraße 26  
 D-32758 Detmold  
 Germany  
 Fon: +49 5231 14-0  
 Fax: +49 5231 14-292083  
 www.weidmueller.com

**Accessories**

**Non-contact tools**



Tools for dismantling Weidmüller crimp contacts

**General ordering data**

Type	REMOVAL TOOL HE	Version
Order No.	<a href="#">1866750000</a>	Tools, Contact Removal Tool
GTIN (EAN)	4032248437078	
Qty.	1 pc(s).	

**CTIN / CTX**



**Crimping tools for turned contacts**

- Ratchet guarantees precise crimping
- Release option in the event of incorrect operation
- With stop for exact positioning of the contacts.

**General ordering data**

Type	CTX CM 1.6/2.5	Version
Order No.	<a href="#">9018490000</a>	Pressing tool, Crimping tool for contacts, 0.14mm <sup>2</sup> , 4mm <sup>2</sup> , W crimp
GTIN (EAN)	4008190884598	
Qty.	1 pc(s).	
Type	CTIN CM 1.6/2.5	Version
Order No.	<a href="#">9205430000</a>	Pressing tool, Crimping tool for contacts, 0.14mm <sup>2</sup> , 6mm <sup>2</sup> , 4-indent crimp
GTIN (EAN)	4032248733446	
Qty.	1 pc(s).	