

Klippon TB QL (Terminal Box - Quarter Lock) KTB QL 403015 S4E3

Weidmüller Interface GmbH & Co. KG
Klingenbergstraße 26
D-32758 Detmold
Germany
Fon: +49 5231 14-0
Fax: +49 5231 14-292083
www.weidmueller.com

Product image



Abbildung ähnlich

Stainless steel enclosures for use in areas exposed to explosion hazards

The Klippon® TB enclosure range provides excellent performance characteristics, even under the most difficult environmental conditions. In addition, it complies with the stricter requirements of potentially explosive atmospheres found specifically in the process or power generation industries. The new Klippon® TB QL enclosure range offers further improvements to a product line that is already successfully leading the market.

General ordering data

Type	KTB QL 403015 S4E3
Order No.	1200250000
Version	Klippon TB QL (Terminal Box - Quarter Lock), Empty enclosure, stainless steel enclosure, Height: 400 mm, Width: 300 mm, Depth: 150 mm, Gland plates: Bottom, left, right, Material: Stainless steel 1.4404 (316L), electropolished, silver
GTIN (EAN)	4032248983025
Qty.	1 pc(s).

Creation date May 2, 2020 1:38:42 PM CEST

**Klippon TB QL (Terminal Box - Quarter Lock)
KTB QL 403015 S4E3**

Weidmüller Interface GmbH & Co. KG
Klingenbergstraße 26
D-32758 Detmold
Germany
Fon: +49 5231 14-0
Fax: +49 5231 14-292083
www.weidmueller.com

Technical data
Dimensions and weights

Width	300 mm	Width (inches)	11.811 inch
Height	400 mm	Height (inches)	15.748 inch
Depth	150 mm	Depth (inches)	5.905 inch
Mounting dimension - width	356 mm	Mounting dimension - height	247 mm
Net weight	10,500 g		

Environmental Product Compliance

REACH SVHC Lead 7439-92-1

Cable glands, left

M12	29	M16	16
M20	13	M25	6
M32	5	M40	4
M50	3	M63	0
M75	0		

Cable glands, right

M12	29	M16	16
M20	13	M25	6
M32	5	M40	4
M50	3	M63	0
M75	0		

Cable glands, top/bottom

M12	23	M16	13
M20	11	M25	5
M32	4	M40	3
M50	3	M63	0
M75	0		

Certificate numbers enclosure

Certificate no. assembled enclosure (ATEX)	IBExU14ATEX1050	Certificate no. empty enclosure (ATEX)	IBExU14ATEX1028 U
Certificate no. assembled enclosure (IECEX)	IECEXIBE14.0013	Certificate no. empty enclosure (IECEX)	IECEX IBE 14.0004U
Certificate no., assembled enclosure (EAC)	RU C-DE.ГБ08.B.01328	Certificate no., empty enclosure (EAC)	RU C-DE.ГБ08.B.00472
Certificate no. assembled enclosure (INMETRO)	IEx 17.0021	Certificate no. empty enclosure (INMETRO)	IEx 17.0020U
Certificate no. assembled enclosure (AEx)	E223792	Certificate no. empty enclosure (NEPSI)	GYJ14.1308U
Certificate no. assembled enclosure (NEPSI)	GYJ14.1309	Certificate no., assembled enclosure (KOSHA)	16-AV4BO-0245X
Certificate no. (cULus)	E243298	Certificate No. (CCOE)	P461058_1

**Klippon TB QL (Terminal Box - Quarter Lock)
KTB QL 403015 S4E3**

Weidmüller Interface GmbH & Co. KG
Klingenbergstraße 26
D-32758 Detmold
Germany
Fon: +49 5231 14-0
Fax: +49 5231 14-292083
www.weidmueller.com

Technical data**General information**

AF size 1	10 mm	Access opening: height	347 mm
Access opening: width		Areas of use	Explosive risk zone, Process industry, Oil and gas industry, Chemical industry, Offshore, Onshore
	241 mm	Installation advice	Terminal rail / mounting plate
Gland plates	Bottom, left, right	Material thickness of cover	1.5 mm
Material thickness	1.5 mm	Max. payload	48 kg
Material thickness of flange	3 mm	Overall dimensions	411 x 381 x 160
Opening angle lid	130 °	Standards	DIN EN 62208 - Empty enclosure standard, DIN EN 61373 Class 1B**, DIN EN 15085-2, EN 60079-0, EN 60079-7, EN 60079-31, IEC 60079-0, IEC 60079-7, IEC 60079-31
Position PE bolts		Seal material	Silicone
	Page C	Operating temperature, min.	-60 °C
Material	Stainless steel 1.4404 (316L)	Impact resistance	7 J ATEX version, 10 J version standard
Surface finish	electropolished	Note: protection class	If used in temperature ranges above 105 °C, IP protection is limited to IP 66.
Operating temperature, max.	135 °C	Lid attachment	Quarter-turn fastener with slotted insert
Protection degree	IP66		
Enclosure attachment	4 welded-on mounting feet with 11 mm holes (2 slotted feet and 2 cross-shaped feet)		
Integral fixing	4, 6 or 9 stud bolts M6 inner (female) thread		

Housing earth

Earth, enclosure, internal	Welded-on M6 stainless-steel earth stud in enclosure body and lid.
----------------------------	--

horizontal assembly

WDU 10 / ZDU 10	2x21	WDU 16 / ZDU 16	2x18
WDU 2,5 / ZDU 2,5 / IDU 2,5	3x42	WDU 35 / ZDU 35	1x13
WDU 4 / ZDU 4	3x35	WDU 6 / ZDU 6	2x26

vertical assembly

WDU 10 / ZDU 10	1x32	WDU 16 / ZDU 16	1x26
WDU 2,5 / ZDU 2,5 / IDU 2,5	2x62	WDU 35 / ZDU 35	1x20
WDU 4 / ZDU 4	2x52	WDU 6 / ZDU 6	1x39

Classifications

ETIM 6.0	EC002503	ETIM 7.0	EC002503
eClass 9.0	27-18-05-02	eClass 9.1	27-18-05-02
eClass 10.0	27-18-05-02		

Creation date May 2, 2020 1:38:42 PM CEST

**Klippon TB QL (Terminal Box - Quarter Lock)
KTB QL 403015 S4E3**

Weidmüller Interface GmbH & Co. KG
 Klingenbergstraße 26
 D-32758 Detmold
 Germany
 Fon: +49 5231 14-0
 Fax: +49 5231 14-292083
 www.weidmueller.com

Technical data**Product information**

Product information Minimum order quantity (10 pieces)**A customised test is required to guarantee application compliance

Approvals

Approvals



ROHS Conform

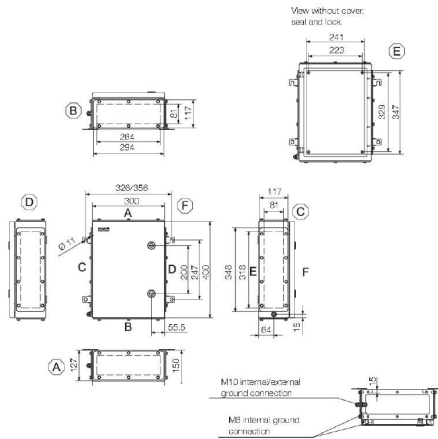
Downloads

Approval/Certificate/Document of Conformity	Attestation of Conformity - Klippon TB Empty Enclosures - AoC DE PS261X_160309_001ISS01 EU Declaration of Conformity - Klippon TB Empty Enclosures - DoC DE PS261X_160412_001ISS01
Brochure/Catalogue	MB OVERV. PROCESS WD DE MB KLIPPON ENCL.TECN EN MB PROCESS EN CAT 5 ENCL 17/18 EN FL WIND 2012 EN FL APPL PROCESS EN FL SHIPBUILDING 2016 EN FL RAILWAY 2014 EN PI KLIPPON TB MH QL EN
Engineering Data	EPLAN, WSCAD
Engineering Data	STEP
Tender specification	Klippon TB QL 403015 S4E3_1200250000_DE Klippon TB QL 403015 S4E3_1200250000_EN Klippon TB QL 403015 S4E3_1200250000_NL
User Documentation	MB KLIPPON ENCL.TECN DE Assembly guidelines - empty enclosures

**Klippon TB QL (Terminal Box - Quarter Lock)
KTB QL 403015 S4E3**

Weidmüller Interface GmbH & Co. KG
Klingenbergstraße 26
D-32758 Detmold
Germany
Fon: +49 5231 14-0
Fax: +49 5231 14-292083
www.weidmueller.com

Drawings



Klippon TB QL (Terminal Box - Quarter Lock) KTB QL 403015 S4E3

Weidmüller Interface GmbH & Co. KG
Klingenbergstraße 26
D-32758 Detmold
Germany
Fon: +49 5231 14-0
Fax: +49 5231 14-292083
www.weidmueller.com

Accessories

Earthing stud



Integrate, expand and customise: The ideal expansion for every application

The consistent structure of accessories for the new Klippon® TB enclosure range means that you can easily adapt the enclosure to the specific requirements of each application.

Earthing bolt

Earthing bolts to exchange as a complete component, in two versions – brass and stainless steel.

General ordering data

Type	PEBZ M10 KTB S4 SET	Version
Order No.	1192690000	Klippon TB (Terminal Box), Earthing stud, Miscellaneous, Material:
GTIN (EAN)	4032248974658	Stainless steel 1.4404, untreated, silver
Qty.	1 pc(s).	
Type	PEBZ M10 KTB BR SET	Version
Order No.	1192680000	Klippon TB (Terminal Box), Earthing stud, Miscellaneous, Material:
GTIN (EAN)	4032248974641	Brass, untreated, silver
Qty.	1 pc(s).	

400 x 300mm



Integrate, expand and customise: The ideal expansion for every application

The consistent structure of accessories for the new Klippon® TB enclosure range means that you can easily adapt the enclosure to the specific requirements of each application.

Mounting plates

Mounting plates, with and without hole patterns, for longitudinal and transverse mounting of DIN mounting rails or components directly onto the mounting plate.

General ordering data

Type	KTB MOPL 4030 MSZN H	Version
Order No.	2022420000	Klippon TB (Terminal Box), Mounting plate, prepunched, Height:
GTIN (EAN)	4050118403268	345 mm, Width: 239 mm, Depth: 1.5 mm, Material: Sheet steel,
Qty.	1 pc(s).	galvanized, silver
Type	KTB MOPL 4030 S2N H	Version
Order No.	1257690000	Klippon TB (Terminal Box), Mounting plate, prepunched, Height: 345
GTIN (EAN)	4050118049350	mm, Width: 239 mm, Depth: 1.5 mm, Material: Stainless steel 1.4301
Qty.	1 pc(s).	(304), untreated, silver
Type	KTB MOPL 4030 S2N	Version
Order No.	1193850000	Klippon TB (Terminal Box), Mounting plate, Height: 345 mm, Width:
GTIN (EAN)	4050118028454	239 mm, Depth: 12 mm, Material: Stainless steel 1.4301 (304),
Qty.	1 pc(s).	untreated, silver

Klippon TB QL (Terminal Box - Quarter Lock) KTB QL 403015 S4E3

Weidmüller Interface GmbH & Co. KG
 Klingenbergstraße 26
 D-32758 Detmold
 Germany
 Fon: +49 5231 14-0
 Fax: +49 5231 14-292083
 www.weidmueller.com

Accessories

Type	KTB MOPL 4030 MSZN	Version
Order No.	1193980000	Klippon TB (Terminal Box), Mounting plate, Height: 345 mm, Width: 239 mm, Depth: 12 mm, Material: Sheet steel, galvanized, silver
GTIN (EAN)	4050118028584	
Qty.	1 pc(s).	

with earthing studs



Integrate, expand and customise: The ideal expansion for every application

The consistent structure of accessories for the new Klippon® TB enclosure range means that you can easily adapt the enclosure to the specific requirements of each application.

Flange plates

Flange plates in two thicknesses, for easy replacement of pre-assembled flange plates on site.

General ordering data

Type	KTB GP 403015 CD S4 PE	Version
Order No.	2023330000	Klippon TB (Terminal Box), flange plate, Height: 348 mm, Width: 117 mm, Depth: 3 mm, Gland plates: left, right, electropolished, silver
GTIN (EAN)	4050118404135	
Qty.	1 pc(s).	
Type	KTB GP 403015 AB S4 PE	Version
Order No.	2023320000	Klippon TB (Terminal Box), flange plate, Height: 294 mm, Width: 117 mm, Depth: 3 mm, Gland plates: top, Bottom, electropolished, silver
GTIN (EAN)	4050118403879	
Qty.	1 pc(s).	

Klippon TB QL (Terminal Box - Quarter Lock) KTB QL 403015 S4E3

Weidmüller Interface GmbH & Co. KG
Klingenbergstraße 26
D-32758 Detmold
Germany
Fon: +49 5231 14-0
Fax: +49 5231 14-292083
www.weidmueller.com

Accessories

Installation material



Integrate, expand and customise - the perfect supplement to every application

The fully structured range of system accessories for the new Klippon® TB enclosure series allows you to easily adapt the enclosures to meet the specific requirements of every application.

Mounting hardware kits

Mounting hardware kits are available for quick and easy installation of type label holders, document holders and rain hoods.

The **label fastening set – SD** is required to install a plastic (Trafolyte) ID or type label. With the aid of this set you can mount the ID or type label directly on the enclosure cover. The label fastening set has been specially developed for this purpose. Only by using this fastening set can you ensure that there will be no leaks into the enclosure or damage to the label.

The **universal fastening set – TPSD** has been developed to enable secure and quick installation of type label holders, rain covers or document holders, for example. By using this fastening set, the risk of leaks can be minimised, if not avoided.

General ordering data

Type	SD FIXING SET	Version
Order No.	1285200000	Klippon TB (Terminal Box), Identification plate fixing set, Material:
GTIN (EAN)	4050118075472	Stainless steel, rust-proof, untreated, silver
Qty.	1 pc(s).	
Type	TPSD FIXING SET KTB	Version
Order No.	1252190000	Klippon TB (Terminal Box), Type plate fixings set, Material: Stainless
GTIN (EAN)	4050118043969	steel, rust-proof, untreated, silver
Qty.	1 pc(s).	

Flange plates made out of stainless steel - 6 mm



Integrate, expand and customise:

The ideal expansion for every application

The consistent structure of accessories for the new Klippon® TB enclosure range means that you can easily adapt the enclosure to the specific requirements of each application.

Flange plates

Flange plates in two thicknesses, for easy replacement of pre-assembled flange plates on site.

General ordering data

Type	KTB GP 403015 CD S4 6MM	Version
Order No.	1256440000	Klippon TB (Terminal Box), flange plate, Height: 348 mm, Width: 117
GTIN (EAN)	4050118095869	mm, Depth: 6 mm, Gland plates: left, right, Material: Stainless steel
Qty.	1 pc(s).	1.4404, electropolished, silver

Klippon TB QL (Terminal Box - Quarter Lock) KTB QL 403015 S4E3

Weidmüller Interface GmbH & Co. KG
 Klingenbergstraße 26
 D-32758 Detmold
 Germany
 Fon: +49 5231 14-0
 Fax: +49 5231 14-292083
 www.weidmueller.com

Accessories

Type	KTB GP 403015 AB S4 6MM	Version
Order No.	1256430000	Klippon TB (Terminal Box), flange plate, Height: 294 mm, Width: 117
GTIN (EAN)	4050118093834	mm, Depth: 6 mm, Gland plates: top, Bottom, Material: Stainless steel
Qty.	1 pc(s).	1.4404, electropolished, silver

TS 35



Integrate, expand and customise - the perfect supplement to every application

The fully structured range of system accessories for the new Klippon® TB enclosure series allows you to easily adapt the enclosures to meet the specific requirements of every application.

The following options are available:

- Document holders
- Flange plates
- Mounting plates
- Locking systems
- Type label holders
- Rain hoods
- Earthing studs

General ordering data

Type	TS35X7.5 ST KTB4030 VER	Version
Order No.	8000006712	Rail, TS 35, TS 35 x 7.5, Length: 345 mm, without slot, Steel,
GTIN (EAN)	4050118652857	galvanized, chromium-plated
Qty.	20 pc(s).	

Type	TS35X7.5 ST KTB4030 HOR	Version
Order No.	8000006723	Rail, TS 35, TS 35 x 7.5, Length: 239 mm, without slot, Steel,
GTIN (EAN)	4050118652918	galvanized, chromium-plated
Qty.	20 pc(s).	

without earthing studs



Integrate, expand and customise: The ideal expansion for every application

The consistent structure of accessories for the new Klippon® TB enclosure range means that you can easily adapt the enclosure to the specific requirements of each application.

Flange plates

Flange plates in two thicknesses, for easy replacement of pre-assembled flange plates on site.

General ordering data

Type	KTB GP 403015 AB S4	Version
Order No.	1281030000	Klippon TB (Terminal Box), flange plate, Height: 294 mm, Width: 117
GTIN (EAN)	4050118072013	mm, Depth: 3 mm, Gland plates: top, Bottom, Material: Stainless steel
Qty.	1 pc(s).	1.4404, electropolished, silver

Klippon TB QL (Terminal Box - Quarter Lock) KTB QL 403015 S4E3

Weidmüller Interface GmbH & Co. KG
 Klingenbergstraße 26
 D-32758 Detmold
 Germany
 Fon: +49 5231 14-0
 Fax: +49 5231 14-292083
 www.weidmueller.com

Accessories

Type	KTB GP 403015 CD S4	Version
Order No.	1281040000	Klippon TB (Terminal Box), flange plate, Height: 348 mm, Width: 117
GTIN (EAN)	4050118071696	mm, Depth: 3 mm, Gland plates: left, right, Material: Stainless steel
Qty.	1 pc(s).	1.4404, electropolished, silver

Closure elements



Integrate, expand and customise: The ideal expansion for every application

The consistent structure of accessories for the new Klippon® TB enclosure range means that you can easily adapt the enclosure to the specific requirements of each application.

Sealing systems

There are different closure systems available for the safe and orderly sealing of the enclosure. There are padlocks for the Klippon® TB MH enclosures and a variety of lock inserts for the Klippon® TB QL enclosures.

General ordering data

Type	KTB QLL S2 DB3	Version
Order No.	1191590000	Klippon TB (Terminal Box), Closure element, Material: Stainless steel
GTIN (EAN)	4050118134285	1.4301, untreated, silver
Qty.	10 pc(s).	
Type	KTB QLH S4 SLS	Version
Order No.	1191610000	Klippon TB (Terminal Box), Closure element, Material: Stainless steel
GTIN (EAN)	4050118137965	1.4404, untreated, silver
Qty.	50 pc(s).	
Type	KTB QLL S2 SLS	Version
Order No.	1191600000	Klippon TB (Terminal Box), Closure element, Material: Stainless steel
GTIN (EAN)	4050118137989	1.4301, untreated, silver
Qty.	10 pc(s).	

Klippon TB QL (Terminal Box - Quarter Lock) KTB QL 403015 S4E3

Weidmüller Interface GmbH & Co. KG
 Klingenbergstraße 26
 D-32758 Detmold
 Germany
 Fon: +49 5231 14-0
 Fax: +49 5231 14-292083
 www.weidmueller.com

Accessories

Ratings plate holder



Integrate, expand and customise:

The ideal expansion for every application

The consistent structure of accessories for the new Klippon® TB enclosure range means that you can easily adapt the enclosure to the specific requirements of each application.

Nameplate holders

There are a variety of designed label holders available for prominent display as required and for additional nameplates as needed.

General ordering data

Type	TPSDHA KTB 70X70M3 S2 R	Version
Order No.	1279320000	Klippon TB (Terminal Box), Ratings plate holder, Riveted, Height: 70
GTIN (EAN)	4050118070101	mm, Width: 70 mm, Depth: 20 mm, Material: Stainless steel 1.4301,
Qty.	1 pc(s).	Mirror polished, silver
Type	TPSDHA KTB 100X25 S2 2R	Version
Order No.	1257640000	Klippon TB (Terminal Box), Ratings plate holder, Riveted, Height:
GTIN (EAN)	4050118070354	25 mm, Width: 141 mm, Depth: 16.5 mm, Material: Stainless steel
Qty.	1 pc(s).	1.4301, Mirror polished, silver
Type	TPSDHA KTB 130X50 S2 R	Version
Order No.	1283450000	Klippon TB (Terminal Box), Ratings plate holder, Riveted, Height:
GTIN (EAN)	4050118073621	50 mm, Width: 171 mm, Depth: 16.5 mm, Material: Stainless steel
Qty.	1 pc(s).	1.4301, Mirror polished, silver

Stainless steel 1.4404 (316L)



Integrate, expand and customise:

The ideal expansion for every application

The consistent structure of accessories for the new Klippon® TB enclosure range means that you can easily adapt the enclosure to the specific requirements of each application.

Rain Covers

The rain cover provides an ideal, additional level of protection for the enclosure if it is installed in unusual climatic zones with, for instance, very heavy rainfall or extreme levels of direct sunlight.

General ordering data

Type	KTB RNHD 403015 S4E R	Version
Order No.	1314170000	Klippon TB (Terminal Box), Rain hood, Height: 53.4 mm, Width: 305
GTIN (EAN)	4050118117479	mm, Depth: 160.5 mm, Material: Stainless steel 1.4404 (316L),
Qty.	1 pc(s).	electropolished, silver

**Klippon TB QL (Terminal Box - Quarter Lock)
KTB QL 403015 S4E3**

Weidmüller Interface GmbH & Co. KG
Klingenbergstraße 26
D-32758 Detmold
Germany
Fon: +49 5231 14-0
Fax: +49 5231 14-292083
www.weidmueller.com

Accessories
Document holders

Integrate, expand and customise - the perfect supplement to every application

The fully structured range of system accessories for the new Klippon® TB enclosure series allows you to easily adapt the enclosures to meet the specific requirements of every application.

Document holders

Document holders for the proper storage of documents in the enclosure.

General ordering data

Type	DOHA KTB A6 S2 R	Version
Order No.	1252780000	Klippon TB (Terminal Box), Document holders, Riveted, Height: 110
GTIN (EAN)	4050118045512	mm, Width: 130 mm, Depth: 20 mm, Material: Stainless steel 1.4301,
Qty.	1 pc(s).	Mirror polished, silver
Type	DOHA KTB A6 S2 W	Version
Order No.	1252760000	Klippon TB (Terminal Box), Document holders, welded, Height: 110
GTIN (EAN)	4050118045130	mm, Width: 130 mm, Depth: 20 mm, Material: Stainless steel 1.4301,
Qty.	1 pc(s).	Mirror polished, silver

Mounting plates fastening


For many years, the name Klippon® has stood for competence and quality in enclosures.

The Klippon® EBi industrial enclosure series protects your components reliably if they are used in moderate environmental conditions and is designed for everyday applications.

With the ever-increasing need for individual application solutions, the Klippon® EBi with its high degree of protection and impact resistance is ideally suited to your needs.

Our standard product is the Klippon® EBi QL – with hinged door and double-bit key lock.

A variant with mounting screws is also available, but is only manufactured on request and is subject to a minimum order quantity. DNV GL and cULus approvals are also available on request.

General ordering data

Type	GFSC M5X10 TX20 SET	Version
Order No.	1274150000	Klippon EBi (Essential Box industrial), Mounting screw, silver
GTIN (EAN)	4050118063820	
Qty.	1 pc(s).	

**Klippon TB QL (Terminal Box - Quarter Lock)
KTB QL 403015 S4E3**

Weidmüller Interface GmbH & Co. KG
Klingenbergstraße 26
D-32758 Detmold
Germany
Fon: +49 5231 14-0
Fax: +49 5231 14-292083
www.weidmueller.com

Accessories

Stainless steel 1.4301



Integrate, expand and customise:

The ideal expansion for every application

The consistent structure of accessories for the new Klippon® TB enclosure range means that you can easily adapt the enclosure to the specific requirements of each application.

Rain Covers

The rain cover provides an ideal, additional level of protection for the enclosure if it is installed in unusual climatic zones with, for instance, very heavy rainfall or extreme levels of direct sunlight.

General ordering data

Type	KTB RNHD 403015 R	Version	
Order No.	1281430000	Klippon TB (Terminal Box), Rain hood, Height: 53.4 mm, Width: 305	
GTIN (EAN)	4050118071962	mm, Depth: 160.5 mm, Material: Stainless steel 1.4301, Mirror	
Qty.	1 pc(s).	polished, silver	