

## Klippon TB QL (Terminal Box - Quarter Lock) KTB QL 303015 S4E0

**Weidmüller Interface GmbH & Co. KG**  
Klingenbergstraße 26  
D-32758 Detmold  
Germany  
Fon: +49 5231 14-0  
Fax: +49 5231 14-292083  
www.weidmueller.com

### Product image



Abbildung ähnlich

### Stainless steel enclosures for use in areas exposed to explosion hazards

The Klippon® TB enclosure range provides excellent performance characteristics, even under the most difficult environmental conditions. In addition, it complies with the stricter requirements of potentially explosive atmospheres found specifically in the process or power generation industries. The new Klippon® TB QL enclosure range offers further improvements to a product line that is already successfully leading the market.

### General ordering data

Type	KTB QL 303015 S4E0
Order No.	<a href="#">1200010000</a>
Version	Klippon TB QL (Terminal Box - Quarter Lock), Empty enclosure, stainless steel enclosure, Height: 306 mm, Width: 306 mm, Depth: 150 mm, Material: Stainless steel 1.4404 (316L), electropolished, silver
GTIN (EAN)	4032248983032
Qty.	1 pc(s).

Creation date May 2, 2020 1:34:42 PM CEST

**Klippon TB QL (Terminal Box - Quarter Lock)  
KTB QL 303015 S4E0**

**Weidmüller Interface GmbH & Co. KG**  
Klingenbergstraße 26  
D-32758 Detmold  
Germany  
Fon: +49 5231 14-0  
Fax: +49 5231 14-292083  
www.weidmueller.com

**Technical data**
**Dimensions and weights**

Width	306 mm	Width (inches)	12.047 inch
Height	306 mm	Height (inches)	12.047 inch
Depth	150 mm	Depth (inches)	5.905 inch
Mounting dimension - width	332 mm	Mounting dimension - height	203 mm
Net weight	10,850 g		

**Environmental Product Compliance**

REACH SVHC Lead 7439-92-1

**Cable glands, left**

M12	20	M16	11
M20	9	M25	4
M32	3	M40	3
M50	2	M63	0
M75	0		

**Cable glands, right**

M12	20	M16	11
M20	9	M25	4
M32	3	M40	3
M50	2	M63	0
M75	0		

**Cable glands, top/bottom**

M12	24	M16	13
M20	11	M25	5
M32	4	M40	3
M50	3	M63	0
M75	0		

**Certificate numbers enclosure**

Certificate no. assembled enclosure (ATEX)	IBExU14ATEX1050	Certificate no. empty enclosure (ATEX)	IBExU14ATEX1028 U
Certificate no. assembled enclosure (IECEX)	IECEXIBE14.0013	Certificate no. empty enclosure (IECEX)	IECEX IBE 14.0004U
Certificate no., assembled enclosure (EAC)	RU C-DE.ГБ08.B.01328	Certificate no., empty enclosure (EAC)	RU C-DE.ГБ08.B.00472
Certificate no. assembled enclosure (INMETRO)	IEx 17.0021	Certificate no. empty enclosure (INMETRO)	IEx 17.0020U
Certificate no. assembled enclosure (AEx)	E223792	Certificate no. empty enclosure (NEPSI)	GYJ14.1308U
Certificate no. assembled enclosure (NEPSI)	GYJ14.1309	Certificate no., assembled enclosure (KOSHA)	16-AV4BO-0245X
Certificate no. (cULus)	E243298	Certificate No. (CCOE)	P461058_1

**Klippon TB QL (Terminal Box - Quarter Lock)  
KTB QL 303015 S4E0**

**Weidmüller Interface GmbH & Co. KG**  
 Klingenbergstraße 26  
 D-32758 Detmold  
 Germany  
 Fon: +49 5231 14-0  
 Fax: +49 5231 14-292083  
 www.weidmueller.com

**Technical data****General information**

AF size 1	10 mm	Access opening: height	253 mm
Access opening: width		Areas of use	Explosive risk zone, Process industry, Oil and gas industry, Chemical industry, Offshore, Onshore
	247 mm	Material thickness	1.5 mm
Installation advice	Terminal rail / mounting plate	Material thickness of flange	3 mm
Material thickness of cover	1.5 mm	Opening angle lid	130 °
Max. payload	37 kg	Position PE bolts	Page C
Overall dimensions	306 x 357 x 160	Material	Stainless steel 1.4404 (316L)
Standards	DIN EN 62208 - Empty enclosure standard, DIN EN 61373 Class 1B**, DIN EN 15085-2, EN 60079-0, EN 60079-7, EN 60079-31, IEC 60079-0, IEC 60079-7, IEC 60079-31	Surface finish	electropolished
Seal material	Silicone	Operating temperature, max.	135 °C
Operating temperature, min.	-60 °C	Protection degree	IP66
Impact resistance	7 J ATEX version, 10 J version standard	Enclosure attachment	4 welded-on mounting feet with 11 mm holes (2 slotted feet and 2 cross- shaped feet)
Note: protection class	If used in temperature ranges above 105 °C, IP protection is limited to IP 66.	Integral fixing	4, 6 or 9 stud bolts M6 inner (female) thread
Lid attachment	Quarter-turn fastener with slotted insert		

**Housing earth**

Earth, enclosure, internal	Welded-on M6 stainless- steel earth stud in enclosure body and lid.
----------------------------	---

**horizontal assembly**

WDU 10 / ZDU 10	1x22	WDU 16 / ZDU 16	1x18
WDU 2,5 / ZDU 2,5 / IDU 2,5	2x43	WDU 35 / ZDU 35	1x13
WDU 4 / ZDU 4	2x36	WDU 6 / ZDU 6	2x27

**vertical assembly**

WDU 10 / ZDU 10	1x22	WDU 16 / ZDU 16	1x19
WDU 2,5 / ZDU 2,5 / IDU 2,5	2x44	WDU 35 / ZDU 35	1x14
WDU 4 / ZDU 4	2x37	WDU 6 / ZDU 6	2x28

**Classifications**

ETIM 6.0	EC002503	ETIM 7.0	EC002503
eClass 9.0	27-18-05-02	eClass 9.1	27-18-05-02
eClass 10.0	27-18-05-02		

**Klippon TB QL (Terminal Box - Quarter Lock)  
KTB QL 303015 S4E0**

**Weidmüller Interface GmbH & Co. KG**  
 Klingenbergstraße 26  
 D-32758 Detmold  
 Germany  
 Fon: +49 5231 14-0  
 Fax: +49 5231 14-292083  
 www.weidmueller.com

**Technical data****Product information**

Product information

Minimum Order Quantity is applicable (20 pcs.).

\*\*Customer specific test is required for application compliance.

**Approvals**

Approvals



ROHS

Conform

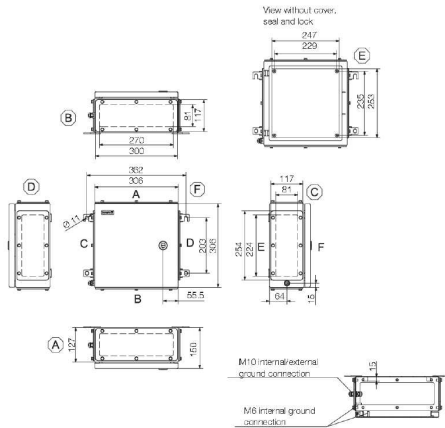
**Downloads**

Approval/Certificate/Document of Conformity	<a href="#">Attestation of Conformity - Klippon TB Empty Enclosures - AoC DE PS261X 160309 001ISS01</a> <a href="#">EU Declaration of Conformity - Klippon TB Empty Enclosures - DoC DE PS261X 160412 001ISS01</a>
Brochure/Catalogue	<a href="#">MB OVERV. PROCESS WD DE</a> <a href="#">MB KLIPPON ENCL.TECN EN</a> <a href="#">MB PROCESS EN</a> <a href="#">FL WIND 2012 EN</a> <a href="#">FL APPL PROCESS EN</a> <a href="#">FL SHIPBUILDING 2016 EN</a> <a href="#">FL RAILWAY 2014 EN</a> <a href="#">PI KLIPPON TB MH QL EN</a>
Engineering Data	<a href="#">EPLAN, WSCAD</a>
Engineering Data	<a href="#">STEP</a>
Tender specification	<a href="#">Klippon TB QL 303015 S4E0_1200010000_DE</a> <a href="#">Klippon TB QL 303015 S4E0_1200010000_EN</a> <a href="#">Klippon TB QL 303015 S4E0_1200010000_NL</a>
User Documentation	<a href="#">MB KLIPPON ENCL.TECN DE</a> <a href="#">Assembly guidelines - empty enclosures</a>

**Klippon TB QL (Terminal Box - Quarter Lock)  
KTB QL 303015 S4E0**

**Weidmüller Interface GmbH & Co. KG**  
Klingenbergstraße 26  
D-32758 Detmold  
Germany  
Fon: +49 5231 14-0  
Fax: +49 5231 14-292083  
www.weidmueller.com

**Drawings**



## Klippon TB QL (Terminal Box - Quarter Lock) KTB QL 303015 S4E0

**Weidmüller Interface GmbH & Co. KG**  
Klingenbergstraße 26  
D-32758 Detmold  
Germany  
Fon: +49 5231 14-0  
Fax: +49 5231 14-292083  
www.weidmueller.com

## Accessories

### Earthing stud



#### **Integrate, expand and customise: The ideal expansion for every application**

The consistent structure of accessories for the new Klippon® TB enclosure range means that you can easily adapt the enclosure to the specific requirements of each application.

#### **Earthing bolt**

Earthing bolts to exchange as a complete component, in two versions – brass and stainless steel.

### General ordering data

Type	PEBZ M10 KTB S4 SET	Version
Order No.	<a href="#">1192690000</a>	Klippon TB (Terminal Box), Earthing stud, Miscellaneous, Material:
GTIN (EAN)	4032248974658	Stainless steel 1.4404, untreated, silver
Qty.	1 pc(s).	
Type	PEBZ M10 KTB BR SET	Version
Order No.	<a href="#">1192680000</a>	Klippon TB (Terminal Box), Earthing stud, Miscellaneous, Material:
GTIN (EAN)	4032248974641	Brass, untreated, silver
Qty.	1 pc(s).	

### Installation material



#### **Integrate, expand and customise - the perfect supplement to every application**

The fully structured range of system accessories for the new Klippon® TB enclosure series allows you to easily adapt the enclosures to meet the specific requirements of every application.

#### **Mounting hardware kits**

Mounting hardware kits are available for quick and easy installation of type label holders, document holders and rain hoods.

The **label fastening set – SD** is required to install a plastic (Trafolyte) ID or type label. With the aid of this set you can mount the ID or type label directly on the enclosure cover. The label fastening set has been specially developed for this purpose. Only by using this fastening set can you ensure that there will be no leaks into the enclosure or damage to the label.

The **universal fastening set – TPSD** has been developed to enable secure and quick installation of type label holders, rain covers or document holders, for example. By using this fastening set, the risk of leaks can be minimised, if not avoided.

### General ordering data

Type	SD FIXING SET	Version
Order No.	<a href="#">1285200000</a>	Klippon TB (Terminal Box), Identification plate fixing set, Material:
GTIN (EAN)	4050118075472	Stainless steel, rust-proof, untreated, silver
Qty.	1 pc(s).	

## Klippon TB QL (Terminal Box - Quarter Lock) KTB QL 303015 S4E0

**Weidmüller Interface GmbH & Co. KG**  
 Klingenbergstraße 26  
 D-32758 Detmold  
 Germany  
 Fon: +49 5231 14-0  
 Fax: +49 5231 14-292083  
 www.weidmueller.com

## Accessories

Type	TPSD FIXING SET KTB	Version
Order No.	<a href="#">1252190000</a>	Klippon TB (Terminal Box), Type plate fixings set, Material: Stainless
GTIN (EAN)	4050118043969	steel, rust-proof, untreated, silver
Qty.	1 pc(s).	

## Document holders



### Integrate, expand and customise - the perfect supplement to every application

The fully structured range of system accessories for the new Klippon® TB enclosure series allows you to easily adapt the enclosures to meet the specific requirements of every application.

#### Document holders

Document holders for the proper storage of documents in the enclosure.

### General ordering data

Type	DOHA KTB A6 S2 R	Version
Order No.	<a href="#">1252780000</a>	Klippon TB (Terminal Box), Document holders, Riveted, Height: 110
GTIN (EAN)	4050118045512	mm, Width: 130 mm, Depth: 20 mm, Material: Stainless steel 1.4301,
Qty.	1 pc(s).	Mirror polished, silver
Type	DOHA KTB A6 S2 W	Version
Order No.	<a href="#">1252760000</a>	Klippon TB (Terminal Box), Document holders, welded, Height: 110
GTIN (EAN)	4050118045130	mm, Width: 130 mm, Depth: 20 mm, Material: Stainless steel 1.4301,
Qty.	1 pc(s).	Mirror polished, silver

## Mounting plates fastening



For many years, the name Klippon® has stood for competence and quality in enclosures.

The Klippon® EBi industrial enclosure series protects your components reliably if they are used in moderate environmental conditions and is designed for everyday applications.

With the ever-increasing need for individual application solutions, the Klippon® EBi with its high degree of protection and impact resistance is ideally suited to your needs.

Our standard product is the Klippon® EBi QL – with hinged door and double-bit key lock.

A variant with mounting screws is also available, but is only manufactured on request and is subject to a minimum order quantity. DNV GL and cULus approvals are also available on request.

### General ordering data

Type	GFSC M5X10 TX20 SET	Version
Order No.	<a href="#">1274150000</a>	Klippon EBi (Essential Box industrial), Mounting screw, silver
GTIN (EAN)	4050118063820	
Qty.	1 pc(s).	

## Klippon TB QL (Terminal Box - Quarter Lock) KTB QL 303015 S4E0

**Weidmüller Interface GmbH & Co. KG**  
 Klingenbergstraße 26  
 D-32758 Detmold  
 Germany  
 Fon: +49 5231 14-0  
 Fax: +49 5231 14-292083  
 www.weidmueller.com

# Accessories

### Stainless steel 1.4301



#### **Integrate, expand and customise: The ideal expansion for every application**

The consistent structure of accessories for the new Klippon® TB enclosure range means that you can easily adapt the enclosure to the specific requirements of each application.

#### **Rain Covers**

The rain cover provides an ideal, additional level of protection for the enclosure if it is installed in unusual climatic zones with, for instance, very heavy rainfall or extreme levels of direct sunlight.

#### General ordering data

Type	KTB RNHD 303015 R	Version	
Order No.	<a href="#">1281390000</a>	Klippon TB (Terminal Box), Rain hood, Height: 53.4 mm, Width: 311 mm, Depth: 160.5 mm, Material: Stainless steel 1.4301, Mirror polished, silver	
GTIN (EAN)	4050118072068		
Qty.	1 pc(s).		

### TS 35



#### **Integrate, expand and customise - the perfect supplement to every application**

The fully structured range of system accessories for the new Klippon® TB enclosure series allows you to easily adapt the enclosures to meet the specific requirements of every application.

The following options are available:

- Document holders
- Flange plates
- Mounting plates
- Locking systems
- Type label holders
- Rain hoods
- Earthing studs

#### General ordering data

Type	TS35X7.5 ST KTB3030 HOR	Version	
Order No.	<a href="#">8000006722</a>	Rail, TS 35, TS 35 x 7.5, Length: 245 mm, without slot, Steel, galvanized, chromium-plated	
GTIN (EAN)	4050118652901		
Qty.	20 pc(s).		
Type	TS35X7.5 ST KTB3030 VER	Version	
Order No.	<a href="#">8000006710</a>	Rail, TS 35, TS 35 x 7.5, Length: 251 mm, without slot, Steel, galvanized, chromium-plated	
GTIN (EAN)	4050118652833		
Qty.	20 pc(s).		



**Klippon TB QL (Terminal Box - Quarter Lock)  
KTB QL 303015 S4E0**

**Weidmüller Interface GmbH & Co. KG**  
Klingenbergstraße 26  
D-32758 Detmold  
Germany  
Fon: +49 5231 14-0  
Fax: +49 5231 14-292083  
www.weidmueller.com

**Accessories**
**306 x 306mm**

**Integrate, expand and customise:**
**The ideal expansion for every application**

The consistent structure of accessories for the new Klippon® TB enclosure range means that you can easily adapt the enclosure to the specific requirements of each application.

**Mounting plates**

Mounting plates, with and without hole patterns, for longitudinal and transverse mounting of DIN mounting rails or components directly onto the mounting plate.

**General ordering data**

Type	KTB MOPL 3030 MSZN	Version
Order No.	<a href="#">1193960000</a>	Klippon TB (Terminal Box), Mounting plate, Height: 251 mm, Width:
GTIN (EAN)	4050118028560	245 mm, Depth: 12 mm, Material: Sheet steel, galvanized, silver
Qty.	1 pc(s).	
Type	KTB MOPL 3030 S2N H	Version
Order No.	<a href="#">1257670000</a>	Klippon TB (Terminal Box), Mounting plate, prepunched, Height: 251
GTIN (EAN)	4050118049312	mm, Width: 245 mm, Depth: 1.5 mm, Material: Stainless steel 1.4301
Qty.	1 pc(s).	(304), untreated, silver
Type	KTB MOPL 3030 S2N	Version
Order No.	<a href="#">1193830000</a>	Klippon TB (Terminal Box), Mounting plate, Height: 251 mm, Width:
GTIN (EAN)	4050118028430	245 mm, Depth: 12 mm, Material: Stainless steel 1.4301 (304),
Qty.	1 pc(s).	untreated, silver
Type	KTB MOPL 3030 MSZN H	Version
Order No.	<a href="#">2022190000</a>	Klippon TB (Terminal Box), Mounting plate, prepunched, Height:
GTIN (EAN)	4050118403466	251 mm, Width: 245 mm, Depth: 1.5 mm, Material: Sheet steel,
Qty.	1 pc(s).	galvanized, silver

**Closure elements**

**Integrate, expand and customise:**
**The ideal expansion for every application**

The consistent structure of accessories for the new Klippon® TB enclosure range means that you can easily adapt the enclosure to the specific requirements of each application.

**Sealing systems**

There are different closure systems available for the safe and orderly sealing of the enclosure. There are padlocks for the Klippon® TB MH enclosures and a variety of lock inserts for the Klippon® TB QL enclosures.

**General ordering data**

Type	KTB QLL S2 DB3	Version
Order No.	<a href="#">1191590000</a>	Klippon TB (Terminal Box), Closure element, Material: Stainless steel
GTIN (EAN)	4050118134285	1.4301, untreated, silver
Qty.	10 pc(s).	

## Klippon TB QL (Terminal Box - Quarter Lock) KTB QL 303015 S4E0

**Weidmüller Interface GmbH & Co. KG**  
Klingenbergstraße 26  
D-32758 Detmold  
Germany  
Fon: +49 5231 14-0  
Fax: +49 5231 14-292083  
www.weidmueller.com

### Accessories

Type	KTB QLH S4 SLS	Version
Order No.	<a href="#">1191610000</a>	Klippon TB (Terminal Box), Closure element, Material: Stainless steel
GTIN (EAN)	4050118137965	1.4404, untreated, silver
Qty.	50 pc(s).	
Type	KTB QLL S2 SLS	Version
Order No.	<a href="#">1191600000</a>	Klippon TB (Terminal Box), Closure element, Material: Stainless steel
GTIN (EAN)	4050118137989	1.4301, untreated, silver
Qty.	10 pc(s).	

### Ratings plate holder



#### **Integrate, expand and customise: The ideal expansion for every application**

The consistent structure of accessories for the new Klippon® TB enclosure range means that you can easily adapt the enclosure to the specific requirements of each application.

#### **Nameplate holders**

There are a variety of designed label holders available for prominent display as required and for additional nameplates as needed.

### General ordering data

Type	TPSDHA KTB 70X70M3 S2 R	Version
Order No.	<a href="#">1279320000</a>	Klippon TB (Terminal Box), Ratings plate holder, Riveted, Height: 70
GTIN (EAN)	4050118070101	mm, Width: 70 mm, Depth: 20 mm, Material: Stainless steel 1.4301,
Qty.	1 pc(s).	Mirror polished, silver
Type	TPSDHA KTB 100X25 S2 2R	Version
Order No.	<a href="#">1257640000</a>	Klippon TB (Terminal Box), Ratings plate holder, Riveted, Height:
GTIN (EAN)	4050118070354	25 mm, Width: 141 mm, Depth: 16.5 mm, Material: Stainless steel
Qty.	1 pc(s).	1.4301, Mirror polished, silver
Type	TPSDHA KTB 130X50 S2 R	Version
Order No.	<a href="#">1283450000</a>	Klippon TB (Terminal Box), Ratings plate holder, Riveted, Height:
GTIN (EAN)	4050118073621	50 mm, Width: 171 mm, Depth: 16.5 mm, Material: Stainless steel
Qty.	1 pc(s).	1.4301, Mirror polished, silver

**Klippon TB QL (Terminal Box - Quarter Lock)  
KTB QL 303015 S4E0**

**Weidmüller Interface GmbH & Co. KG**  
Klingenbergstraße 26  
D-32758 Detmold  
Germany  
Fon: +49 5231 14-0  
Fax: +49 5231 14-292083  
www.weidmueller.com

**Accessories**

**Stainless steel 1.4404 (316L)**



**Integrate, expand and customise:**

**The ideal expansion for every application**

The consistent structure of accessories for the new Klippon® TB enclosure range means that you can easily adapt the enclosure to the specific requirements of each application.

**Rain Covers**

The rain cover provides an ideal, additional level of protection for the enclosure if it is installed in unusual climatic zones with, for instance, very heavy rainfall or extreme levels of direct sunlight.

**General ordering data**

Type	KTB RNHD 303015 S4E R	Version	
Order No.	<a href="#">1314120000</a>	Klippon TB (Terminal Box), Rain hood, Height: 53.4 mm, Width: 311	
GTIN (EAN)	4050118117462	mm, Depth: 160.5 mm, Material: Stainless steel 1.4404 (316L),	
Qty.	1 pc(s).	electropolished, silver	