

Klippon TB QL (Terminal Box - Quarter Lock) KTB QL 221513 S4E4

Weidmüller Interface GmbH & Co. KG
Klingenbergstraße 26
D-32758 Detmold
Germany
Fon: +49 5231 14-0
Fax: +49 5231 14-292083
www.weidmueller.com

Product image



Abbildung ähnlich

Stainless steel enclosures for use in areas exposed to explosion hazards

The Klippon® TB enclosure range provides excellent performance characteristics, even under the most difficult environmental conditions. In addition, it complies with the stricter requirements of potentially explosive atmospheres found specifically in the process or power generation industries. The new Klippon® TB QL enclosure range offers further improvements to a product line that is already successfully leading the market.

General ordering data

| | |
|------------|---|
| Type | KTB QL 221513 S4E4 |
| Order No. | 1199890000 |
| Version | Klippon TB QL (Terminal Box - Quarter Lock), Empty enclosure, stainless steel enclosure, Height: 229 mm, Width: 152 mm, Depth: 133 mm, Gland plates: Bottom, top, left, right, Material: Stainless steel 1.4404 (316L), electropolished, silver |
| GTIN (EAN) | 4032248982639 |
| Qty. | 1 pc(s). |

Creation date May 2, 2020 1:32:07 PM CEST

**Klippon TB QL (Terminal Box - Quarter Lock)
 KTB QL 221513 S4E4**

Weidmüller Interface GmbH & Co. KG
 Klingenbergstraße 26
 D-32758 Detmold
 Germany
 Fon: +49 5231 14-0
 Fax: +49 5231 14-292083
 www.weidmueller.com

Technical data
Dimensions and weights

| | | | |
|----------------------------|-----------|-----------------------------|------------|
| Width | 152 mm | Width (inches) | 5.984 inch |
| Height | 229 mm | Height (inches) | 9.016 inch |
| Depth | 133 mm | Depth (inches) | 5.236 inch |
| Mounting dimension - width | 208 mm | Mounting dimension - height | 152 mm |
| Net weight | 4,579.2 g | | |

Environmental Product Compliance

REACH SVHC Lead 7439-92-1

Cable glands, left

| | | | |
|-----|---|-----|---|
| M12 | 8 | M16 | 6 |
| M20 | 3 | M25 | 2 |
| M32 | 2 | M40 | 2 |
| M50 | 0 | M63 | 0 |
| M75 | 0 | | |

Cable glands, right

| | | | |
|-----|---|-----|---|
| M12 | 8 | M16 | 6 |
| M20 | 3 | M25 | 2 |
| M32 | 2 | M40 | 2 |
| M50 | 0 | M63 | 0 |
| M75 | 0 | | |

Cable glands, top/bottom

| | | | |
|-----|---|-----|---|
| M12 | 6 | M16 | 5 |
| M20 | 2 | M25 | 2 |
| M32 | 1 | M40 | 1 |
| M50 | 0 | M63 | 0 |
| M75 | 0 | | |

Certificate numbers enclosure

| | | | |
|---|----------------------|--|----------------------|
| Certificate no. assembled enclosure (ATEX) | IBExU14ATEX1050 | Certificate no. empty enclosure (ATEX) | IBExU14ATEX1028 U |
| Certificate no. assembled enclosure (IECEX) | IECEXIBE14.0013 | Certificate no. empty enclosure (IECEX) | IECEX IBE 14.0004U |
| Certificate no., assembled enclosure (EAC) | RU C-DE.ГБ08.B.01328 | Certificate no., empty enclosure (EAC) | RU C-DE.ГБ08.B.00472 |
| Certificate no. assembled enclosure (INMETRO) | IEEx 17.0021 | Certificate no. empty enclosure (INMETRO) | IEEx 17.0020U |
| Certificate no. assembled enclosure (AEx) | E223792 | Certificate no. empty enclosure (NEPSI) | GYJ14.1308U |
| Certificate no. assembled enclosure (NEPSI) | GYJ14.1309 | Certificate no., assembled enclosure (KOSHA) | 16-AV4BO-0245X |
| Certificate No. (MARITREG) | 15.40075.250 | Certificate no. (cULus) | E243298 |
| Certificate No. (CCOE) | P461058_1 | | |

Klippon TB QL (Terminal Box - Quarter Lock) KTB QL 221513 S4E4

Weidmüller Interface GmbH & Co. KG
Klingenbergstraße 26
D-32758 Detmold
Germany
Fon: +49 5231 14-0
Fax: +49 5231 14-292083
www.weidmueller.com

Technical data

General information

| | | | |
|------------------------------|---|-----------------------------|---|
| AF size 1 | 10 mm | Access opening: height | 176 mm |
| Access opening: width | | Areas of use | Explosive risk zone, Process industry, Oil and gas industry, Chemical industry, Offshore, Onshore |
| | 93 mm | Installation advice | Terminal rail / mounting plate |
| Gland plates | Bottom, top, left, right | Material thickness of cover | 1.5 mm |
| Material thickness | 1.5 mm | Max. payload | 14 kg |
| Material thickness of flange | 3 mm | Overall dimensions | 251 x 233 x 143 |
| Opening angle lid | 130 ° | Standards | DIN EN 62208 - Empty enclosure standard, DIN EN 61373 Class 1B**, DIN EN 15085-2, EN 60079-0, EN 60079-7, EN 60079-31, IEC 60079-0, IEC 60079-7, IEC 60079-31 |
| Position PE bolts | | Seal material | Silicone |
| | Page C | Operating temperature, min. | -60 °C |
| Material | Stainless steel 1.4404 (316L) | Impact resistance | 7 J ATEX version, 10 J version standard |
| Surface finish | electropolished | Note: protection class | If used in temperature ranges above 105 °C, IP protection is limited to IP 66. |
| Operating temperature, max. | 135 °C | Lid attachment | Quarter-turn fastener with slotted insert |
| Protection degree | IP66 | | |
| Enclosure attachment | 4 welded-on mounting feet with 11 mm holes (2 slotted feet and 2 cross-shaped feet) | | |
| Integral fixing | 4, 6 or 9 stud bolts M6 inner (female) thread | | |

Housing earth

| | |
|----------------------------|--|
| Earth, enclosure, internal | Welded-on M6 stainless-steel earth stud in enclosure body and lid. |
|----------------------------|--|

horizontal assembly

| | | | |
|-----------------------------|------|-----------------|------|
| WDU 10 / ZDU 10 | 1x7 | WDU 16 / ZDU 16 | 1x6 |
| WDU 2,5 / ZDU 2,5 / IDU 2,5 | 1x15 | WDU 4 / ZDU 4 | 1x13 |
| WDU 6 / ZDU 6 | 1x9 | | |

vertical assembly

| | |
|-----------------------------|------|
| WDU 2,5 / ZDU 2,5 / IDU 2,5 | 1x29 |
|-----------------------------|------|

Classifications

| | | | |
|-------------|-------------|------------|-------------|
| ETIM 6.0 | EC002503 | ETIM 7.0 | EC002503 |
| eClass 9.0 | 27-18-05-02 | eClass 9.1 | 27-18-05-02 |
| eClass 10.0 | 27-18-05-02 | | |

**Klippon TB QL (Terminal Box - Quarter Lock)
KTB QL 221513 S4E4**

Weidmüller Interface GmbH & Co. KG
 Klingenbergstraße 26
 D-32758 Detmold
 Germany
 Fon: +49 5231 14-0
 Fax: +49 5231 14-292083
 www.weidmueller.com

Technical data**Product information**

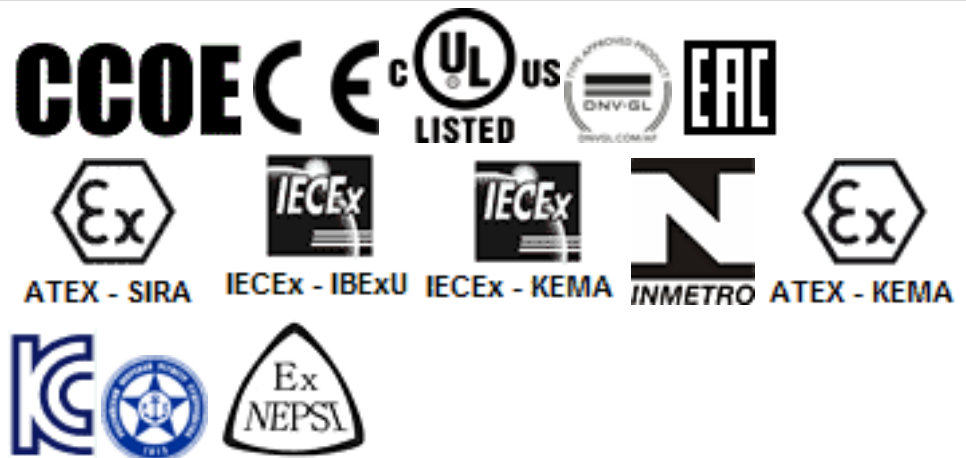
Product information

Minimum Order Quantity is applicable (20 pcs.).

**Customer specific test is required for application compliance.

Approvals

Approvals



ROHS

Conform

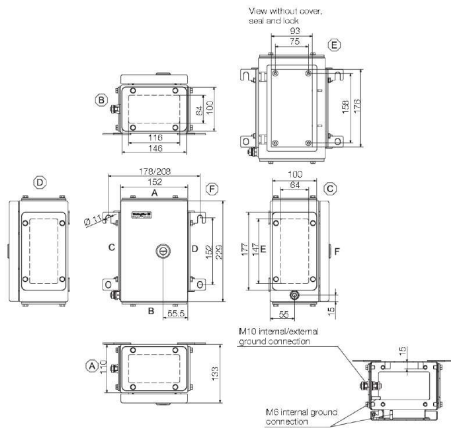
Downloads

| | |
|---|--|
| Approval/Certificate/Document of Conformity | Attestation of Conformity - Klippon TB Empty Enclosures - AoC DE PS261X 160309 001ISS01 EU Declaration of Conformity - Klippon TB Empty Enclosures - DoC DE PS261X 160412 001ISS01 |
| Brochure/Catalogue | MB OVERV. PROCESS WD DE MB KLIPPON ENCL.TECN EN MB PROCESS EN CAT 5 ENCL 17/18 EN FL WIND 2012 EN FL APPL PROCESS EN FL SHIPBUILDING 2016 EN FL RAILWAY 2014 EN PI KLIPPON TB MH QL EN |
| Engineering Data | EPLAN, WSCAD |
| Engineering Data | STEP |
| Tender specification | Klippon TB QL 221513 S4E4 1199890000_DE Klippon TB QL 221513 S4E4 1199890000_EN Klippon TB QL 221513 S4E4 1199890000_NL |
| User Documentation | MB KLIPPON ENCL.TECN DE Assembly guidelines - empty enclosures |

**Klippon TB QL (Terminal Box - Quarter Lock)
KTB QL 221513 S4E4**

Weidmüller Interface GmbH & Co. KG
Klingenbergstraße 26
D-32758 Detmold
Germany
Fon: +49 5231 14-0
Fax: +49 5231 14-292083
www.weidmueller.com

Drawings



Klippon TB QL (Terminal Box - Quarter Lock) KTB QL 221513 S4E4

Weidmüller Interface GmbH & Co. KG
 Klingenbergstraße 26
 D-32758 Detmold
 Germany
 Fon: +49 5231 14-0
 Fax: +49 5231 14-292083
 www.weidmueller.com

Accessories

229 x 152mm



Integrate, expand and customise:

The ideal expansion for every application

The consistent structure of accessories for the new Klippon® TB enclosure range means that you can easily adapt the enclosure to the specific requirements of each application.

Mounting plates

Mounting plates, with and without hole patterns, for longitudinal and transverse mounting of DIN mounting rails or components directly onto the mounting plate.

General ordering data

| | | |
|------------|----------------------------|---|
| Type | KTB MOPL 22 15 S2N H | Version |
| Order No. | 1257650000 | Klippon TB (Terminal Box), Mounting plate, prepunched, Height: 174 mm, Width: 91 mm, Depth: 1.5 mm, Material: Stainless steel 1.4301 (304), untreated, silver |
| GTIN (EAN) | 4050118049305 | |
| Qty. | 1 pc(s). | |
| Type | KTB MOPL 22 15 MSZN | Version |
| Order No. | 1193930000 | Klippon TB (Terminal Box), Mounting plate, Height: 174 mm, Width: 91 mm, Depth: 12 mm, Material: Sheet steel, galvanized, silver |
| GTIN (EAN) | 4050118028546 | |
| Qty. | 1 pc(s). | |
| Type | KTB MOPL 22 15 S2N | Version |
| Order No. | 1193810000 | Klippon TB (Terminal Box), Mounting plate, Height: 174 mm, Width: 91 mm, Depth: 12 mm, Material: Stainless steel 1.4301 (304), untreated, silver |
| GTIN (EAN) | 4050118028409 | |
| Qty. | 1 pc(s). | |
| Type | KTB MOPL 22 15 MSZN H | Version |
| Order No. | 2022050000 | Klippon TB (Terminal Box), Mounting plate, prepunched, Height: 174 mm, Width: 91 mm, Depth: 1.5 mm, Material: Sheet steel, galvanized, silver |
| GTIN (EAN) | 4050118403442 | |
| Qty. | 1 pc(s). | |

Earthing stud



Integrate, expand and customise:

The ideal expansion for every application

The consistent structure of accessories for the new Klippon® TB enclosure range means that you can easily adapt the enclosure to the specific requirements of each application.

Earthing bolt

Earthing bolts to exchange as a complete component, in two versions – brass and stainless steel.

General ordering data

| | | |
|------------|----------------------------|--|
| Type | PEBZ M10 KTB S4 SET | Version |
| Order No. | 1192690000 | Klippon TB (Terminal Box), Earthing stud, Miscellaneous, Material: Stainless steel 1.4404, untreated, silver |
| GTIN (EAN) | 4032248974658 | |
| Qty. | 1 pc(s). | |

Data sheet

Klippon TB QL (Terminal Box - Quarter Lock) KTB QL 221513 S4E4

Weidmüller Interface GmbH & Co. KG
Klingenbergstraße 26
D-32758 Detmold
Germany
Fon: +49 5231 14-0
Fax: +49 5231 14-292083
www.weidmueller.com

Accessories

| | | |
|------------|----------------------------|--|
| Type | PEBZ M10 KTB BR SET | Version |
| Order No. | 1192680000 | Klippon TB (Terminal Box), Earthing stud, Miscellaneous, Material: |
| GTIN (EAN) | 4032248974641 | Brass, untreated, silver |
| Qty. | 1 pc(s). | |

with earthing studs



Integrate, expand and customise: The ideal expansion for every application

The consistent structure of accessories for the new Klippon® TB enclosure range means that you can easily adapt the enclosure to the specific requirements of each application.

Flange plates

Flange plates in two thicknesses, for easy replacement of pre-assembled flange plates on site.

General ordering data

| | | |
|------------|----------------------------|---|
| Type | KTB GP 221513 AB S4 PE | Version |
| Order No. | 2022770000 | Klippon TB (Terminal Box), flange plate, Height: 146 mm, Width: 100 |
| GTIN (EAN) | 4050118403916 | mm, Depth: 3 mm, Gland plates: top, Bottom, electropolished, silver |
| Qty. | 1 pc(s). | |
| Type | KTB GP 221513 CD S4 PE | Version |
| Order No. | 2022900000 | Klippon TB (Terminal Box), flange plate, Height: 177 mm, Width: 100 |
| GTIN (EAN) | 4050118403510 | mm, Depth: 3 mm, Gland plates: left, right, electropolished, silver |
| Qty. | 1 pc(s). | |

Klippon TB QL (Terminal Box - Quarter Lock) KTB QL 221513 S4E4

Weidmüller Interface GmbH & Co. KG
 Klingenbergstraße 26
 D-32758 Detmold
 Germany
 Fon: +49 5231 14-0
 Fax: +49 5231 14-292083
 www.weidmueller.com

Accessories

Installation material



Integrate, expand and customise - the perfect supplement to every application

The fully structured range of system accessories for the new Klippon® TB enclosure series allows you to easily adapt the enclosures to meet the specific requirements of every application.

Mounting hardware kits

Mounting hardware kits are available for quick and easy installation of type label holders, document holders and rain hoods.

The **label fastening set – SD** is required to install a plastic (Trafolyte) ID or type label. With the aid of this set you can mount the ID or type label directly on the enclosure cover. The label fastening set has been specially developed for this purpose. Only by using this fastening set can you ensure that there will be no leaks into the enclosure or damage to the label.

The **universal fastening set – TPSD** has been developed to enable secure and quick installation of type label holders, rain covers or document holders, for example. By using this fastening set, the risk of leaks can be minimised, if not avoided.

General ordering data

| | | |
|------------|----------------------------|--|
| Type | SD FIXING SET | Version |
| Order No. | 1285200000 | Klippon TB (Terminal Box), Identification plate fixing set, Material: |
| GTIN (EAN) | 4050118075472 | Stainless steel, rust-proof, untreated, silver |
| Qty. | 1 pc(s). | |
| Type | TPSD FIXING SET KTB | Version |
| Order No. | 1252190000 | Klippon TB (Terminal Box), Type plate fixings set, Material: Stainless |
| GTIN (EAN) | 4050118043969 | steel, rust-proof, untreated, silver |
| Qty. | 1 pc(s). | |

Flange plates made out of stainless steel - 6 mm



Integrate, expand and customise:

The ideal expansion for every application

The consistent structure of accessories for the new Klippon® TB enclosure range means that you can easily adapt the enclosure to the specific requirements of each application.

Flange plates

Flange plates in two thicknesses, for easy replacement of pre-assembled flange plates on site.

General ordering data

| | | |
|------------|----------------------------|---|
| Type | KTB GP 221513 AB S4 6MM | Version |
| Order No. | 1256270000 | Klippon TB (Terminal Box), flange plate, Height: 146 mm, Width: 100 |
| GTIN (EAN) | 4050118092592 | mm, Depth: 6 mm, Gland plates: top, Bottom, electropolished, silver |
| Qty. | 1 pc(s). | |

Klippon TB QL (Terminal Box - Quarter Lock) KTB QL 221513 S4E4

Weidmüller Interface GmbH & Co. KG
 Klingenbergstraße 26
 D-32758 Detmold
 Germany
 Fon: +49 5231 14-0
 Fax: +49 5231 14-292083
 www.weidmueller.com

Accessories

| | | | |
|------------|----------------------------|---|--|
| Type | KTB GP 221513 CD S4 6MM | Version | |
| Order No. | 1256280000 | Klippon TB (Terminal Box), flange plate, Height: 177 mm, Width: 100 mm, Depth: 6 mm, Gland plates: left, right, Material: Stainless steel | |
| GTIN (EAN) | 4050118093704 | 1.4404, electropolished, silver | |
| Qty. | 1 pc(s). | | |

Mounting plates fastening



For many years, the name Klippon® has stood for competence and quality in enclosures. The Klippon® EBi industrial enclosure series protects your components reliably if they are used in moderate environmental conditions and is designed for everyday applications. With the ever-increasing need for individual application solutions, the Klippon® EBi with its high degree of protection and impact resistance is ideally suited to your needs. Our standard product is the Klippon® EBi QL – with hinged door and double-bit key lock. A variant with mounting screws is also available, but is only manufactured on request and is subject to a minimum order quantity. DNV GL and cULus approvals are also available on request.

General ordering data

| | | | |
|------------|----------------------------|--|--|
| Type | GFSC M5X10 TX20 SET | Version | |
| Order No. | 1274150000 | Klippon EBi (Essential Box industrial), Mounting screw, silver | |
| GTIN (EAN) | 4050118063820 | | |
| Qty. | 1 pc(s). | | |

Stainless steel 1.4301



**Integrate, expand and customise:
The ideal expansion for every application**
 The consistent structure of accessories for the new Klippon® TB enclosure range means that you can easily adapt the enclosure to the specific requirements of each application.
Rain Covers
 The rain cover provides an ideal, additional level of protection for the enclosure if it is installed in unusual climatic zones with, for instance, very heavy rainfall or extreme levels of direct sunlight.

General ordering data

| | | | |
|------------|----------------------------|--|--|
| Type | KTB RNHD 221513 R | Version | |
| Order No. | 1281360000 | Klippon TB (Terminal Box), Rain hood, Height: 50.9 mm, Width: 157 mm, Depth: 142.8 mm, Material: Stainless steel 1.4301, Mirror polished, silver | |
| GTIN (EAN) | 4050118072075 | | |
| Qty. | 1 pc(s). | | |

**Klippon TB QL (Terminal Box - Quarter Lock)
KTB QL 221513 S4E4**

Weidmüller Interface GmbH & Co. KG
 Klingenbergstraße 26
 D-32758 Detmold
 Germany
 Fon: +49 5231 14-0
 Fax: +49 5231 14-292083
 www.weidmueller.com

Accessories**TS 35****Integrate, expand and customise - the perfect supplement to every application**

The fully structured range of system accessories for the new Klippon® TB enclosure series allows you to easily adapt the enclosures to meet the specific requirements of every application.

The following options are available:

- Document holders
- Flange plates
- Mounting plates
- Locking systems
- Type label holders
- Rain hoods
- Earthing studs

General ordering data

| | | |
|------------|----------------------------|--|
| Type | TS35X7.5 ST KTB2215 HOR | Version |
| Order No. | 8000006720 | Rail, TS 35, TS 35 x 7.5, Length: 91 mm, without slot, Steel, |
| GTIN (EAN) | 4050118652888 | galvanized, chromium-plated |
| Qty. | 20 pc(s). | |
| Type | TS35X7.5 ST KTB2215 VER | Version |
| Order No. | 8000006708 | Rail, TS 35, TS 35 x 7.5, Length: 174 mm, without slot, Steel, |
| GTIN (EAN) | 4050118652819 | galvanized, chromium-plated |
| Qty. | 20 pc(s). | |

without earthing studs**Integrate, expand and customise:
The ideal expansion for every application**

The consistent structure of accessories for the new Klippon® TB enclosure range means that you can easily adapt the enclosure to the specific requirements of each application.

Flange plates

Flange plates in two thicknesses, for easy replacement of pre-assembled flange plates on site.

General ordering data

| | | |
|------------|----------------------------|---|
| Type | KTB GP 221513 AB S4 | Version |
| Order No. | 1280890000 | Klippon TB (Terminal Box), flange plate, Height: 146 mm, Width: 100 |
| GTIN (EAN) | 4050118071627 | mm, Depth: 3 mm, Gland plates: top, Bottom, Material: Stainless steel |
| Qty. | 1 pc(s). | 1.4404, electropolished, silver |
| Type | KTB GP 221513 CD S4 | Version |
| Order No. | 1280900000 | Klippon TB (Terminal Box), flange plate, Height: 177 mm, Width: 100 |
| GTIN (EAN) | 4050118071757 | mm, Depth: 3 mm, Gland plates: left, right, Material: Stainless steel |
| Qty. | 1 pc(s). | 1.4404, electropolished, silver |

Klippon TB QL (Terminal Box - Quarter Lock) KTB QL 221513 S4E4

Weidmüller Interface GmbH & Co. KG
Klingenbergstraße 26
D-32758 Detmold
Germany
Fon: +49 5231 14-0
Fax: +49 5231 14-292083
www.weidmueller.com

Accessories

Closure elements



Integrate, expand and customise: The ideal expansion for every application

The consistent structure of accessories for the new Klippon® TB enclosure range means that you can easily adapt the enclosure to the specific requirements of each application.

Sealing systems

There are different closure systems available for the safe and orderly sealing of the enclosure. There are padlocks for the Klippon® TB MH enclosures and a variety of lock inserts for the Klippon® TB QL enclosures.

General ordering data

| | | |
|------------|----------------------------|---|
| Type | KTB QLL S2 DB3 | Version |
| Order No. | 1191590000 | Klippon TB (Terminal Box), Closure element, Material: Stainless steel |
| GTIN (EAN) | 4050118134285 | 1.4301, untreated, silver |
| Qty. | 10 pc(s). | |
| Type | KTB QLH S4 SLS | Version |
| Order No. | 1191610000 | Klippon TB (Terminal Box), Closure element, Material: Stainless steel |
| GTIN (EAN) | 4050118137965 | 1.4404, untreated, silver |
| Qty. | 50 pc(s). | |
| Type | KTB QLL S2 SLS | Version |
| Order No. | 1191600000 | Klippon TB (Terminal Box), Closure element, Material: Stainless steel |
| GTIN (EAN) | 4050118137989 | 1.4301, untreated, silver |
| Qty. | 10 pc(s). | |

Ratings plate holder



Integrate, expand and customise: The ideal expansion for every application

The consistent structure of accessories for the new Klippon® TB enclosure range means that you can easily adapt the enclosure to the specific requirements of each application.

Nameplate holders

There are a variety of designed label holders available for prominent display as required and for additional nameplates as needed.

General ordering data

| | | |
|------------|----------------------------|--|
| Type | TPSDHA KTB 70X70M3 S2 R | Version |
| Order No. | 1279320000 | Klippon TB (Terminal Box), Ratings plate holder, Riveted, Height: 70 |
| GTIN (EAN) | 4050118070101 | mm, Width: 70 mm, Depth: 20 mm, Material: Stainless steel 1.4301, |
| Qty. | 1 pc(s). | Mirror polished, silver |

**Klippon TB QL (Terminal Box - Quarter Lock)
KTB QL 221513 S4E4**

Weidmüller Interface GmbH & Co. KG
Klingenbergstraße 26
D-32758 Detmold
Germany
Fon: +49 5231 14-0
Fax: +49 5231 14-292083
www.weidmueller.com

Accessories

Stainless steel 1.4404 (316L)



Integrate, expand and customise:

The ideal expansion for every application

The consistent structure of accessories for the new Klippon® TB enclosure range means that you can easily adapt the enclosure to the specific requirements of each application.

Rain Covers

The rain cover provides an ideal, additional level of protection for the enclosure if it is installed in unusual climatic zones with, for instance, very heavy rainfall or extreme levels of direct sunlight.

General ordering data

| | | | |
|------------|----------------------------|---|--|
| Type | KTB RNHD 221513 S4E R | Version | |
| Order No. | 1314090000 | Klippon TB (Terminal Box), Rain hood, Height: 50.9 mm, Width: 157 | |
| GTIN (EAN) | 4050118117332 | mm, Depth: 142.8 mm, Material: Stainless steel 1.4404 (316L), | |
| Qty. | 1 pc(s). | electropolished, silver | |