

Klippon TB FS (Terminal Box - Fixing Screw) KTB FS 987420 S4E2

Weidmüller Interface GmbH & Co. KG
Klingenbergstraße 26
D-32758 Detmold
Germany
Fon: +49 5231 14-0
Fax: +49 5231 14-292083
www.weidmueller.com

Product image



Abbildung ähnlich

Stainless steel enclosures for use in areas exposed to explosion hazards

The Klippon® TB enclosure range provides excellent performance characteristics, even under the most difficult environmental conditions. In addition, it complies with the stricter requirements of potentially explosive atmospheres found in process or power generation industries.

The new Klippon® TB MH enclosure range offers further improvements to a product line that is already successfully leading the market.

The Klippon® TB FS enclosure range features the following advantages:

- Available in 12 sizes and 3 standard depths
- Equipped with up to 4 gland plates
- The gasket is protected against compression
- Cover lock outside the sealed zone
- Improved temperature performance
- IP66/IP67 protection
- Earthing stud in the cover and base of the enclosure
- Welded mounting feet

General ordering data

Type	KTB FS 987420 S4E2
Order No.	1196720000
Version	Klippon TB FS (Terminal Box - Fixing Screw), Empty enclosure, stainless steel enclosure, Height: 980 mm, Width: 740 mm, Depth: 200 mm, Gland plates: Bottom, top, Material: Stainless steel 1.4404 (316L), electropolished, silver
GTIN (EAN)	4032248979301
Qty.	1 pc(s).

**Klippon TB FS (Terminal Box - Fixing Screw)
KTB FS 987420 S4E2**

Weidmüller Interface GmbH & Co. KG
Klingenbergstraße 26
D-32758 Detmold
Germany
Fon: +49 5231 14-0
Fax: +49 5231 14-292083
www.weidmueller.com

Technical data
Dimensions and weights

Width	740 mm	Width (inches)	29.134 inch
Height	980 mm	Height (inches)	38.583 inch
Depth	200 mm	Depth (inches)	7.874 inch
Mounting dimension - width	766 mm	Mounting dimension - height	625 mm
Net weight	32,670 g		

Environmental Product Compliance

REACH SVHC Lead 7439-92-1

Cable glands, left

M12	126	M16	84
M20	54	M25	48
M32	26	M40	22
M50	10	M63	8
M75	6		

Cable glands, right

M12	126	M16	84
M20	54	M25	48
M32	26	M40	22
M50	10	M63	8
M75	6		

Cable glands, top/bottom

M12	96	M16	64
M20	42	M25	36
M32	20	M40	16
M50	6	M63	6
M75	4		

Certificate numbers enclosure

Certificate no. assembled enclosure (ATEX)	IBExU14ATEX1050	Certificate no. empty enclosure (ATEX)	IBExU14ATEX1028 U
Certificate no. assembled enclosure (IECEX)	IECEXIBE14.0013	Certificate no. empty enclosure (IECEX)	IECEX IBE 14.0004U
Certificate no., assembled enclosure (EAC)	RU C-DE.ГБ08.B.01328	Certificate no., empty enclosure (EAC)	RU C-DE.ГБ08.B.00472
Certificate no. assembled enclosure (INMETRO)	IEx 17.0021	Certificate no. empty enclosure (INMETRO)	IEx 17.0020U
Certificate no. assembled enclosure (AEx)	E223792	Certificate no. empty enclosure (NEPSI)	GYJ14.1308U
Certificate no. assembled enclosure (NEPSI)	GYJ14.1309	Certificate no., assembled enclosure (KOSHA)	16-AV4BO-0245X
Certificate no. (cULus)	E256877	Certificate No. (CCOE)	CCOEP267536/2

Klippon TB FS (Terminal Box - Fixing Screw) KTB FS 987420 S4E2

Weidmüller Interface GmbH & Co. KG
Klingenbergstraße 26
D-32758 Detmold
Germany
Fon: +49 5231 14-0
Fax: +49 5231 14-292083
www.weidmueller.com

Technical data

General information

AF size 1	10 mm	Access opening: height	928 mm
Access opening: width		Areas of use	Explosive risk zone, Process industry, Oil and gas industry, Chemical industry, Offshore, Onshore
	688 mm	Installation advice	Terminal rail / mounting plate
Gland plates	Bottom, top	Material thickness of cover	1.5 mm
Material thickness	1.5 mm	Max. payload	290 kg
Material thickness of flange	3 mm	Position PE bolts	Page C
Overall dimensions	1002 x 791 x 208.5	Torque for lid screws	2.5 Nm
Standards	DIN EN 62208 - Empty enclosure standard, DIN EN 15085-2, EN 60079-0, EN 60079-7, EN 60079-31, IEC 60079-0, IEC 60079-7, IEC 60079-31	Seal material	Silicone
Material	Stainless steel 1.4404 (316L)	Operating temperature, min.	-60 °C
Surface finish	electropolished	Impact resistance	7 J ATEX version, 10 J version standard
Operating temperature, max.	135 °C	Note: protection class	If used in temperature ranges above 105 °C, IP protection is limited to IP 66.
Protection degree	IP66, IP67	Lid attachment	M6 hex-head slotted screws SW10
Enclosure attachment	4 welded-on mounting feet with 11 mm holes (2 slotted feet and 2 cross- shaped feet)		
Integral fixing	4, 6 or 9 stud bolts M6 inner (female) thread		

Housing earth

Earth, enclosure, internal	Welded-on M6 stainless- steel earth stud in enclosure body and lid., Continuous M10 earth stud in body enclosure
----------------------------	--

horizontal assembly

WDU 10 / ZDU 10	6x64	WDU 16 / ZDU 16	5x54
WDU 2,5 / ZDU 2,5 / IDU 2,5	9x127	WDU 35 / ZDU 35	4x40
WDU 4 / ZDU 4	8x106	WDU 6 / ZDU 6	7x80

vertical assembly

WDU 10 / ZDU 10	4x88	WDU 16 / ZDU 16	4x74
WDU 2,5 / ZDU 2,5 / IDU 2,5	6x174	WDU 35 / ZDU 35	3x55
WDU 4 / ZDU 4	6x146	WDU 6 / ZDU 6	5x110

**Klippon TB FS (Terminal Box - Fixing Screw)
KTB FS 987420 S4E2**

Weidmüller Interface GmbH & Co. KG
 Klingenbergstraße 26
 D-32758 Detmold
 Germany
 Fon: +49 5231 14-0
 Fax: +49 5231 14-292083
 www.weidmueller.com

Technical data**Classifications**

ETIM 6.0	EC002503	ETIM 7.0	EC002503
eClass 9.0	27-18-05-02	eClass 9.1	27-18-05-02
eClass 10.0	27-18-05-02		

Product information

Product information Minimum order quantity (5 pieces)

Approvals

Approvals

**Downloads**

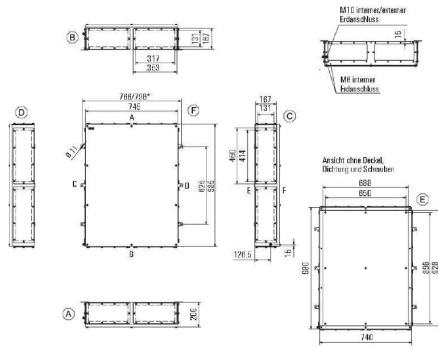
Approval/Certificate/Document of Conformity	Attestation of Conformity - Klippon TB Empty Enclosures - AoC DE PS261X 160309 001ISS01 EU Declaration of Conformity - Klippon TB Empty Enclosures - DoC DE PS261X 160412 001ISS01
Brochure/Catalogue	MB OVERV. PROCESS WD DE MB KLIPPON ENCL.TECN EN MB PROCESS EN FL WIND 2012 EN FL APPL PROCESS EN FL SHIPBUILDING 2016 EN FL RAILWAY 2014 EN PI KLIPPON TB MH QL EN
Engineering Data	EPLAN, WSCAD
Engineering Data	STEP
Tender specification	Klippon TB FS 987420 S4E2_1196720000_DE Klippon TB FS 987420 S4E2_1196720000_EN Klippon TB FS 987420 S4E2_1196720000_NL
User Documentation	MB KLIPPON ENCL.TECN DE Assembly guidelines - empty enclosures

**Klippon TB FS (Terminal Box - Fixing Screw)
KTB FS 987420 S4E2**

Weidmüller Interface GmbH & Co. KG
Klingenbergstraße 26
D-32758 Detmold
Germany
Fon: +49 5231 14-0
Fax: +49 5231 14-292083
www.weidmueller.com

Drawings

Dimensioned drawing



Klippon TB FS (Terminal Box - Fixing Screw) KTB FS 987420 S4E2

Weidmüller Interface GmbH & Co. KG
 Klingenbergstraße 26
 D-32758 Detmold
 Germany
 Fon: +49 5231 14-0
 Fax: +49 5231 14-292083
 www.weidmueller.com

Accessories

Earthing stud



Integrate, expand and customise: The ideal expansion for every application

The consistent structure of accessories for the new Klippon® TB enclosure range means that you can easily adapt the enclosure to the specific requirements of each application.

Earthing bolt

Earthing bolts to exchange as a complete component, in two versions – brass and stainless steel.

General ordering data

Type	PEBZ M10 KTB S4 SET	Version
Order No.	1192690000	Klippon TB (Terminal Box), Earthing stud, Miscellaneous, Material:
GTIN (EAN)	4032248974658	Stainless steel 1.4404, untreated, silver
Qty.	1 pc(s).	
Type	PEBZ M10 KTB BR SET	Version
Order No.	1192680000	Klippon TB (Terminal Box), Earthing stud, Miscellaneous, Material:
GTIN (EAN)	4032248974641	Brass, untreated, silver
Qty.	1 pc(s).	

with earthing studs



Integrate, expand and customise: The ideal expansion for every application

The consistent structure of accessories for the new Klippon® TB enclosure range means that you can easily adapt the enclosure to the specific requirements of each application.

Flange plates

Flange plates in two thicknesses, for easy replacement of pre-assembled flange plates on site.

General ordering data

Type	KTB GP 987420 AB S4 PE	Version
Order No.	2024560000	Klippon TB (Terminal Box), flange plate, Height: 353 mm, Width: 167
GTIN (EAN)	4050118404357	mm, Depth: 3 mm, Gland plates: top, Bottom, electropolished, silver
Qty.	1 pc(s).	

Klippon TB FS (Terminal Box - Fixing Screw) KTB FS 987420 S4E2

Weidmüller Interface GmbH & Co. KG
 Klingenbergstraße 26
 D-32758 Detmold
 Germany
 Fon: +49 5231 14-0
 Fax: +49 5231 14-292083
 www.weidmueller.com

Accessories

Installation material



Integrate, expand and customise - the perfect supplement to every application

The fully structured range of system accessories for the new Klippon® TB enclosure series allows you to easily adapt the enclosures to meet the specific requirements of every application.

Mounting hardware kits

Mounting hardware kits are available for quick and easy installation of type label holders, document holders and rain hoods.

The **label fastening set – SD** is required to install a plastic (Trafolyte) ID or type label. With the aid of this set you can mount the ID or type label directly on the enclosure cover. The label fastening set has been specially developed for this purpose. Only by using this fastening set can you ensure that there will be no leaks into the enclosure or damage to the label.

The **universal fastening set – TPSD** has been developed to enable secure and quick installation of type label holders, rain covers or document holders, for example. By using this fastening set, the risk of leaks can be minimised, if not avoided.

General ordering data

Type	SD FIXING SET	Version
Order No.	1285200000	Klippon TB (Terminal Box), Identification plate fixing set, Material:
GTIN (EAN)	4050118075472	Stainless steel, rust-proof, untreated, silver
Qty.	1 pc(s).	
Type	TPSD FIXING SET KTB	Version
Order No.	1252190000	Klippon TB (Terminal Box), Type plate fixings set, Material: Stainless
GTIN (EAN)	4050118043969	steel, rust-proof, untreated, silver
Qty.	1 pc(s).	

Document holders



Integrate, expand and customise - the perfect supplement to every application

The fully structured range of system accessories for the new Klippon® TB enclosure series allows you to easily adapt the enclosures to meet the specific requirements of every application.

Document holders

Document holders for the proper storage of documents in the enclosure.

General ordering data

Type	DOHA KTB A6 S2 R	Version
Order No.	1252780000	Klippon TB (Terminal Box), Document holders, Riveted, Height: 110
GTIN (EAN)	4050118045512	mm, Width: 130 mm, Depth: 20 mm, Material: Stainless steel 1.4301,
Qty.	1 pc(s).	Mirror polished, silver

Klippon TB FS (Terminal Box - Fixing Screw) KTB FS 987420 S4E2

Weidmüller Interface GmbH & Co. KG
 Klingenbergstraße 26
 D-32758 Detmold
 Germany
 Fon: +49 5231 14-0
 Fax: +49 5231 14-292083
 www.weidmueller.com

Accessories

Type	DOHA KTB A5 S2 W	Version
Order No.	1235380000	Klippon TB (Terminal Box), Document holders, welded, Height: 150
GTIN (EAN)	4050118256826	mm, Width: 180 mm, Depth: 20 mm, Material: Stainless steel 1.4301,
Qty.	1 pc(s).	Mirror polished, silver
Type	DOHA KTB A5 S2 R	Version
Order No.	1252750000	Klippon TB (Terminal Box), Document holders, Riveted, Height: 150
GTIN (EAN)	4050118045390	mm, Width: 180 mm, Depth: 20 mm, Material: Stainless steel 1.4301,
Qty.	1 pc(s).	Mirror polished, silver
Type	DOHA KTB A4 S2 W	Version
Order No.	1235370000	Klippon TB (Terminal Box), Document holders, welded, Height: 200
GTIN (EAN)		mm, Width: 240 mm, Depth: 20 mm, Material: Stainless steel 1.4301,
Qty.	1 pc(s).	Mirror polished, silver
Type	DOHA KTB A4 S2 R	Version
Order No.	1252730000	Klippon TB (Terminal Box), Document holders, Riveted, Height: 200
GTIN (EAN)	4050118045383	mm, Width: 240 mm, Depth: 20 mm, Material: Stainless steel 1.4301,
Qty.	1 pc(s).	Mirror polished, silver
Type	DOHA KTB A6 S2 W	Version
Order No.	1252760000	Klippon TB (Terminal Box), Document holders, welded, Height: 110
GTIN (EAN)	4050118045130	mm, Width: 130 mm, Depth: 20 mm, Material: Stainless steel 1.4301,
Qty.	1 pc(s).	Mirror polished, silver

Flange plates made out of stainless steel - 6 mm



Integrate, expand and customise: The ideal expansion for every application

The consistent structure of accessories for the new Klippon® TB enclosure range means that you can easily adapt the enclosure to the specific requirements of each application.

Flange plates

Flange plates in two thicknesses, for easy replacement of pre-assembled flange plates on site.

General ordering data

Type	KTB GP 987420 AB S4 6MM	Version
Order No.	1256750000	Klippon TB (Terminal Box), flange plate, Height: 353 mm, Width: 167
GTIN (EAN)	4050118094053	mm, Depth: 6 mm, Gland plates: top, Bottom, Material: Stainless steel
Qty.	1 pc(s).	1.4404, electropolished, silver

**Klippon TB FS (Terminal Box - Fixing Screw)
KTB FS 987420 S4E2**

Weidmüller Interface GmbH & Co. KG
Klingenbergstraße 26
D-32758 Detmold
Germany
Fon: +49 5231 14-0
Fax: +49 5231 14-292083
www.weidmueller.com

Accessories
980 x 740mm

Integrate, expand and customise:
The ideal expansion for every application

The consistent structure of accessories for the new Klippon® TB enclosure range means that you can easily adapt the enclosure to the specific requirements of each application.

Mounting plates

Mounting plates, with and without hole patterns, for longitudinal and transverse mounting of DIN mounting rails or components directly onto the mounting plate.

General ordering data

Type	KTB MOPL 9874 MSZN	Version
Order No.	1194050000	Klippon TB (Terminal Box), Mounting plate, Height: 926 mm, Width:
GTIN (EAN)	4050118028645	680 mm, Depth: 12 mm, Material: Sheet steel, galvanized, silver
Qty.	1 pc(s).	
Type	KTB MOPL 9874 S2N	Version
Order No.	1193920000	Klippon TB (Terminal Box), Mounting plate, Height: 926 mm, Width:
GTIN (EAN)	4050118028539	680 mm, Depth: 12 mm, Material: Stainless steel 1.4301 (304),
Qty.	1 pc(s).	untreated, silver
Type	KTB MOPL 9874 S2N H	Version
Order No.	1257770000	Klippon TB (Terminal Box), Mounting plate, prepunched, Height: 926
GTIN (EAN)	4050118049404	mm, Width: 680 mm, Depth: 12 mm, Material: Stainless steel 1.4301
Qty.	1 pc(s).	(304), untreated, silver
Type	KTB MOPL 9874 MSZN H	Version
Order No.	2022760000	Klippon TB (Terminal Box), Mounting plate, prepunched, Height:
GTIN (EAN)	4050118403763	926 mm, Width: 680 mm, Depth: 12 mm, Material: Sheet steel,
Qty.	1 pc(s).	galvanized, silver

Klippon TB FS (Terminal Box - Fixing Screw) KTB FS 987420 S4E2

Weidmüller Interface GmbH & Co. KG
 Klingenbergstraße 26
 D-32758 Detmold
 Germany
 Fon: +49 5231 14-0
 Fax: +49 5231 14-292083
 www.weidmueller.com

Accessories

Mounting plates fastening



For many years, the name Klippon® has stood for competence and quality in enclosures. The Klippon® EBi industrial enclosure series protects your components reliably if they are used in moderate environmental conditions and is designed for everyday applications. With the ever-increasing need for individual application solutions, the Klippon® EBi with its high degree of protection and impact resistance is ideally suited to your needs. Our standard product is the Klippon® EBi QL – with hinged door and double-bit key lock. A variant with mounting screws is also available, but is only manufactured on request and is subject to a minimum order quantity. DNV GL and cULus approvals are also available on request.

General ordering data

Type	GFSC M5X10 TX20 SET	Version
Order No.	1274150000	Klippon EBi (Essential Box industrial), Mounting screw, silver
GTIN (EAN)	4050118063820	
Qty.	1 pc(s).	

Stainless steel 1.4301



**Integrate, expand and customise:
The ideal expansion for every application**
 The consistent structure of accessories for the new Klippon® TB enclosure range means that you can easily adapt the enclosure to the specific requirements of each application.
Rain Covers
 The rain cover provides an ideal, additional level of protection for the enclosure if it is installed in unusual climatic zones with, for instance, very heavy rainfall or extreme levels of direct sunlight.

General ordering data

Type	KTB RNHD 987420 R	Version
Order No.	1281580000	Klippon TB (Terminal Box), Rain hood, Height: 55.9 mm, Width: 745 mm, Depth: 211.2 mm, Material: Stainless steel 1.4301, Mirror polished, silver
GTIN (EAN)	4050118072303	
Qty.	1 pc(s).	

Klippon TB FS (Terminal Box - Fixing Screw) KTB FS 987420 S4E2

Weidmüller Interface GmbH & Co. KG
Klingenbergstraße 26
D-32758 Detmold
Germany
Fon: +49 5231 14-0
Fax: +49 5231 14-292083
www.weidmueller.com

Accessories

TS 35



Integrate, expand and customise - the perfect supplement to every application

The fully structured range of system accessories for the new Klippon® TB enclosure series allows you to easily adapt the enclosures to meet the specific requirements of every application.

The following options are available:

- Document holders
- Flange plates
- Mounting plates
- Locking systems
- Type label holders
- Rain hoods
- Earthing studs

General ordering data

Type	TS35X7.5 ST KTB9874 VER	Version
Order No.	8000006719	Rail, TS 35, TS 35 x 7.5, Length: 912 mm, without slot, Steel,
GTIN (EAN)	4050118652970	galvanized, chromium-plated
Qty.	20 pc(s).	
Type	TS35X7.5 ST KTB9874 HOR	Version
Order No.	8000006730	Rail, TS 35, TS 35 x 7.5, Length: 666 mm, without slot, Steel,
GTIN (EAN)	4050118653038	galvanized, chromium-plated
Qty.	20 pc(s).	

without earthing studs



Integrate, expand and customise: The ideal expansion for every application

The consistent structure of accessories for the new Klippon® TB enclosure range means that you can easily adapt the enclosure to the specific requirements of each application.

Flange plates

Flange plates in two thicknesses, for easy replacement of pre-assembled flange plates on site.

General ordering data

Type	KTB GP 987420 AB S4	Version
Order No.	1281310000	Klippon TB (Terminal Box), flange plate, Height: 353 mm, Width: 167
GTIN (EAN)	4050118072037	mm, Depth: 3 mm, Gland plates: top, Bottom, Material: Stainless steel
Qty.	1 pc(s).	1.4404, electropolished, silver

**Klippon TB FS (Terminal Box - Fixing Screw)
KTB FS 987420 S4E2**

Weidmüller Interface GmbH & Co. KG
Klingenbergstraße 26
D-32758 Detmold
Germany
Fon: +49 5231 14-0
Fax: +49 5231 14-292083
www.weidmueller.com

Accessories
Stainless steel 1.4404 (316L)

Integrate, expand and customise:
The ideal expansion for every application

The consistent structure of accessories for the new Klippon® TB enclosure range means that you can easily adapt the enclosure to the specific requirements of each application.

Rain Covers

The rain cover provides an ideal, additional level of protection for the enclosure if it is installed in unusual climatic zones with, for instance, very heavy rainfall or extreme levels of direct sunlight.

General ordering data

Type	KTB RNHD 987420 S4E R	Version
Order No.	1314340000	Klippon TB (Terminal Box), Rain hood, Height: 55.9 mm, Width: 745
GTIN (EAN)	4050118117615	mm, Depth: 211.2 mm, Material: Stainless steel 1.4404 (316L),
Qty.	1 pc(s).	electropolished, silver

Ratings plate holder

Integrate, expand and customise:
The ideal expansion for every application

The consistent structure of accessories for the new Klippon® TB enclosure range means that you can easily adapt the enclosure to the specific requirements of each application.

Nameplate holders

There are a variety of designed label holders available for prominent display as required and for additional nameplates as needed.

General ordering data

Type	TPSDHA KTB 70X70M3 S2 R	Version
Order No.	1279320000	Klippon TB (Terminal Box), Ratings plate holder, Riveted, Height: 70
GTIN (EAN)	4050118070101	mm, Width: 70 mm, Depth: 20 mm, Material: Stainless steel 1.4301,
Qty.	1 pc(s).	Mirror polished, silver
Type	TPSDHA KTB 100X25 S2 2R	Version
Order No.	1257640000	Klippon TB (Terminal Box), Ratings plate holder, Riveted, Height:
GTIN (EAN)	4050118070354	25 mm, Width: 141 mm, Depth: 16.5 mm, Material: Stainless steel
Qty.	1 pc(s).	1.4301, Mirror polished, silver
Type	TPSDHA KTB 130X50 S2 R	Version
Order No.	1283450000	Klippon TB (Terminal Box), Ratings plate holder, Riveted, Height:
GTIN (EAN)	4050118073621	50 mm, Width: 171 mm, Depth: 16.5 mm, Material: Stainless steel
Qty.	1 pc(s).	1.4301, Mirror polished, silver