

Klippon TB MH (Terminal Box - Multi Hinge) KTB MH 453820 S4E4

Weidmüller Interface GmbH & Co. KG
Klingenbergstraße 26
D-32758 Detmold
Germany
Fon: +49 5231 14-0
Fax: +49 5231 14-292083
www.weidmueller.com

Product image



Abbildung ähnlich

Stainless steel enclosures for use in areas exposed to explosion hazards

The Klippon® TB enclosure range provides excellent performance characteristics, even under the most difficult environmental conditions. In addition, it complies with the stricter requirements of potentially explosive atmospheres found specifically in the process or power generation industries. The new Klippon® TB MH enclosure range offers further improvements to a product line that is already successfully leading the market..The Klippon® TB MH enclosure range has the following advantages:

- Available in 12 sizes and 3 standard depths
- Equipped with up to 4 gland plates
- The gasket is protected against compression
- Completely removable padlock tab
- Cover lock outside the sealed zone
- Improved temperature performance
- IP66/IP67 protection
- Completely removable lid – without a tool
- Earthing stud in the cover and base of the enclosure
- Welded mounting feet
- International approvals

General ordering data

Type	KTB MH 453820 S4E4
Order No.	1195090000
Version	Klippon TB MH (Terminal Box - Multi Hinge), Empty enclosure, stainless steel enclosure, Height: 458 mm, Width: 382 mm, Depth: 200 mm, Gland plates: Bottom, top, left, right, Material: Stainless steel 1.4404 (316L), electropolished, silver
GTIN (EAN)	4032248977963
Qty.	1 pc(s).

**Klippon TB MH (Terminal Box - Multi Hinge)
 KTB MH 453820 S4E4**

Weidmüller Interface GmbH & Co. KG
 Klingenbergstraße 26
 D-32758 Detmold
 Germany
 Fon: +49 5231 14-0
 Fax: +49 5231 14-292083
 www.weidmueller.com

Technical data
Dimensions and weights

Width	382 mm	Width (inches)	15.039 inch
Height	458 mm	Height (inches)	18.031 inch
Depth	200 mm	Depth (inches)	7.874 inch
Mounting dimension - width	438 mm	Mounting dimension - height	305 mm
Net weight	15,450 g		

Environmental Product Compliance

REACH SVHC Lead 7439-92-1

Cable glands, left

M12	55	M16	38
M20	24	M25	21
M32	11	M40	9
M50	4	M63	3
M75	3		

Cable glands, right

M12	55	M16	38
M20	24	M25	21
M32	11	M40	9
M50	4	M63	3
M75	3		

Cable glands, top/bottom

M12	50	M16	34
M20	23	M25	18
M32	10	M40	8
M50	4	M63	3
M75	2		

Certificate numbers enclosure

Certificate no. assembled enclosure (ATEX)	IBExU14ATEX1050	Certificate no. empty enclosure (ATEX)	IBExU14ATEX1028 U
Certificate no. assembled enclosure (IECEX)	IECEXIBE14.0013	Certificate no. empty enclosure (IECEX)	IECEX IBE 14.0004U
Certificate no., assembled enclosure (EAC)	RU C-DE.ГБ08.B.01328	Certificate no., empty enclosure (EAC)	RU C-DE.ГБ08.B.00472
Certificate no. assembled enclosure (INMETRO)	IEEx 17.0021	Certificate no. empty enclosure (INMETRO)	IEEx 17.0020U
Certificate no. assembled enclosure (AEx)	E223792	Certificate no. empty enclosure (NEPSI)	GYJ14.1308U
Certificate no. assembled enclosure (NEPSI)	GYJ14.1309	Certificate no., assembled enclosure (KOSHA)	16-AV4BO-0245X
Certificate No. (MARITREG)	15.40073.250	Certificate no. (cULus)	E243298
Certificate No. (CCOE)	P461058_1		

Klippon TB MH (Terminal Box - Multi Hinge) KTB MH 453820 S4E4

Weidmüller Interface GmbH & Co. KG
Klingenbergstraße 26
D-32758 Detmold
Germany
Fon: +49 5231 14-0
Fax: +49 5231 14-292083
www.weidmueller.com

Technical data

General information

AF size 1	10 mm	Access opening: height	405 mm
Access opening: width		Areas of use	Explosive risk zone, Process industry, Oil and gas industry, Chemical industry, Offshore, Onshore
	323 mm	Installation advice	Terminal rail / mounting plate
Gland plates	Bottom, top, left, right	Material thickness of cover	1.5 mm
Material thickness	1.5 mm	Max. payload	70 kg
Material thickness of flange	3 mm	Overall dimensions	480 x 463 x 215
Opening angle lid	130 °	Standards	DIN EN 62208 - Empty enclosure standard, DIN EN 61373 Class 1B**, DIN EN 15085-2, EN 60079-0, EN 60079-7, EN 60079-31, IEC 60079-0, IEC 60079-7, IEC 60079-31
Position PE bolts		Material	Stainless steel 1.4404 (316L)
	Page C	Surface finish	electropolished
Torque for lid screws	2.5 Nm	Operating temperature, max.	135 °C
Seal material	Silicone	Protection degree	IP66, IP67
Operating temperature, min.	-60 °C	Enclosure attachment	4 welded-on mounting feet with 11 mm holes (2 slotted feet and 2 cross-shaped feet)
Impact resistance	7 J ATEX version, 10 J version standard	Integral fixing	4, 6 or 9 stud bolts M6 inner (female) thread
Note: protection class	If used in temperature ranges above 105 °C, IP protection is limited to IP 66.		
Lid attachment	4 hinges and M6 hex-head slotted screws SW10		

Housing earth

Earth, enclosure, internal	Welded-on M6 stainless-steel earth stud in enclosure body and lid.
----------------------------	--

horizontal assembly

WDU 10 / ZDU 10	2x27	WDU 16 / ZDU 16	2x22
WDU 2,5 / ZDU 2,5 / IDU 2,5	4x54	WDU 35 / ZDU 35	1x17
WDU 4 / ZDU 4	3x46	WDU 6 / ZDU 6	3x34

vertical assembly

WDU 10 / ZDU 10	2x36	WDU 16 / ZDU 16	2x29
WDU 2,5 / ZDU 2,5 / IDU 2,5	3x71	WDU 35 / ZDU 35	1x22
WDU 4 / ZDU 4	2x59	WDU 6 / ZDU 6	2x44

Classifications

ETIM 6.0	EC002503	ETIM 7.0	EC002503
eClass 9.0	27-18-05-02	eClass 9.1	27-18-05-02
eClass 10.0	27-18-05-02		

**Klippon TB MH (Terminal Box - Multi Hinge)
KTB MH 453820 S4E4**

Weidmüller Interface GmbH & Co. KG
 Klingenbergstraße 26
 D-32758 Detmold
 Germany
 Fon: +49 5231 14-0
 Fax: +49 5231 14-292083
 www.weidmueller.com

Technical data**Product information**

Product information Minimum order quantity (10 pieces)**A customised test is required to guarantee application compliance

Approvals

Approvals



ROHS Conform

Downloads

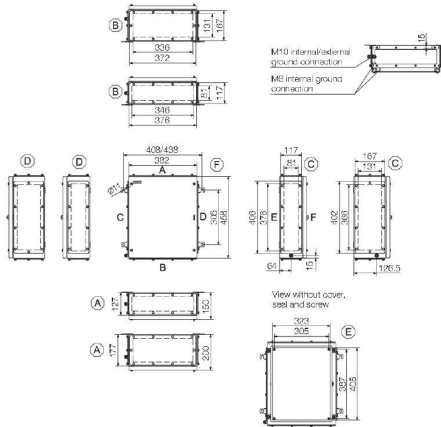
Approval/Certificate/Document of Conformity	Attestation of Conformity - Klippon TB Empty Enclosures - AoC DE PS261X_160309_001ISS01 EU Declaration of Conformity - Klippon TB Empty Enclosures - DoC DE PS261X_160412_001ISS01
Brochure/Catalogue	MB OVERV. PROCESS WD DE MB KLIPPON ENCL.TECN EN MB PROCESS EN CAT 5 ENCL 17/18 EN FL WIND 2012 EN FL APPL PROCESS EN FL SHIPBUILDING 2016 EN FL RAILWAY 2014 EN PI KLIPPON TB MH QL EN
Engineering Data	EPLAN, WSCAD
Engineering Data	STEP
Tender specification	Klippon TB MH 453820 S4E4_1195090000_DE Klippon TB MH 453820 S4E4_1195090000_EN Klippon TB MH 453820 S4E4_1195090000_NL
User Documentation	MB KLIPPON ENCL.TECN DE Assembly guidelines - empty enclosures

**Klippon TB MH (Terminal Box - Multi Hinge)
KTB MH 453820 S4E4**

Weidmüller Interface GmbH & Co. KG
Klingenbergstraße 26
D-32758 Detmold
Germany
Fon: +49 5231 14-0
Fax: +49 5231 14-292083
www.weidmueller.com

Drawings

Dimensioned drawing



Klippon TB MH (Terminal Box - Multi Hinge) KTB MH 453820 S4E4

Weidmüller Interface GmbH & Co. KG
 Klingenbergstraße 26
 D-32758 Detmold
 Germany
 Fon: +49 5231 14-0
 Fax: +49 5231 14-292083
 www.weidmueller.com

Accessories

Earthing stud



Integrate, expand and customise: The ideal expansion for every application

The consistent structure of accessories for the new Klippon® TB enclosure range means that you can easily adapt the enclosure to the specific requirements of each application.

Earthing bolt

Earthing bolts to exchange as a complete component, in two versions – brass and stainless steel.

General ordering data

Type	PEBZ M10 KTB S4 SET	Version
Order No.	1192690000	Klippon TB (Terminal Box), Earthing stud, Miscellaneous, Material:
GTIN (EAN)	4032248974658	Stainless steel 1.4404, untreated, silver
Qty.	1 pc(s).	
Type	PEBZ M10 KTB BR SET	Version
Order No.	1192680000	Klippon TB (Terminal Box), Earthing stud, Miscellaneous, Material:
GTIN (EAN)	4032248974641	Brass, untreated, silver
Qty.	1 pc(s).	

with earthing studs



Integrate, expand and customise: The ideal expansion for every application

The consistent structure of accessories for the new Klippon® TB enclosure range means that you can easily adapt the enclosure to the specific requirements of each application.

Flange plates

Flange plates in two thicknesses, for easy replacement of pre-assembled flange plates on site.

General ordering data

Type	KTB GP 453820 AB S4 PE	Version
Order No.	2023510000	Klippon TB (Terminal Box), flange plate, Height: 372 mm, Width: 167
GTIN (EAN)	4050118403831	mm, Depth: 3 mm, Gland plates: top, Bottom, electropolished, silver
Qty.	1 pc(s).	
Type	KTB GP 453820 CD S4 PE	Version
Order No.	2023520000	Klippon TB (Terminal Box), flange plate, Height: 402 mm, Width: 167
GTIN (EAN)	4050118404210	mm, Depth: 3 mm, Gland plates: left, right, electropolished, silver
Qty.	1 pc(s).	

Klippon TB MH (Terminal Box - Multi Hinge) KTB MH 453820 S4E4

Weidmüller Interface GmbH & Co. KG
 Klingenbergstraße 26
 D-32758 Detmold
 Germany
 Fon: +49 5231 14-0
 Fax: +49 5231 14-292083
 www.weidmueller.com

Accessories

Installation material



Integrate, expand and customise - the perfect supplement to every application

The fully structured range of system accessories for the new Klippon® TB enclosure series allows you to easily adapt the enclosures to meet the specific requirements of every application.

Mounting hardware kits

Mounting hardware kits are available for quick and easy installation of type label holders, document holders and rain hoods.

The **label fastening set – SD** is required to install a plastic (Trafolyte) ID or type label. With the aid of this set you can mount the ID or type label directly on the enclosure cover. The label fastening set has been specially developed for this purpose. Only by using this fastening set can you ensure that there will be no leaks into the enclosure or damage to the label.

The **universal fastening set – TPSD** has been developed to enable secure and quick installation of type label holders, rain covers or document holders, for example. By using this fastening set, the risk of leaks can be minimised, if not avoided.

General ordering data

Type	SD FIXING SET	Version
Order No.	1285200000	Klippon TB (Terminal Box), Identification plate fixing set, Material:
GTIN (EAN)	4050118075472	Stainless steel, rust-proof, untreated, silver
Qty.	1 pc(s).	
Type	TPSD FIXING SET KTB	Version
Order No.	1252190000	Klippon TB (Terminal Box), Type plate fixings set, Material: Stainless
GTIN (EAN)	4050118043969	steel, rust-proof, untreated, silver
Qty.	1 pc(s).	

Document holders



Integrate, expand and customise - the perfect supplement to every application

The fully structured range of system accessories for the new Klippon® TB enclosure series allows you to easily adapt the enclosures to meet the specific requirements of every application.

Document holders

Document holders for the proper storage of documents in the enclosure.

General ordering data

Type	DOHA KTB A6 S2 R	Version
Order No.	1252780000	Klippon TB (Terminal Box), Document holders, Riveted, Height: 110
GTIN (EAN)	4050118045512	mm, Width: 130 mm, Depth: 20 mm, Material: Stainless steel 1.4301,
Qty.	1 pc(s).	Mirror polished, silver

Klippon TB MH (Terminal Box - Multi Hinge) KTB MH 453820 S4E4

Weidmüller Interface GmbH & Co. KG
 Klingenbergstraße 26
 D-32758 Detmold
 Germany
 Fon: +49 5231 14-0
 Fax: +49 5231 14-292083
 www.weidmueller.com

Accessories

Type	DOHA KTB A5 S2 W	Version
Order No.	1235380000	Klippon TB (Terminal Box), Document holders, welded, Height: 150
GTIN (EAN)	4050118256826	mm, Width: 180 mm, Depth: 20 mm, Material: Stainless steel 1.4301,
Qty.	1 pc(s).	Mirror polished, silver
Type	DOHA KTB A5 S2 R	Version
Order No.	1252750000	Klippon TB (Terminal Box), Document holders, Riveted, Height: 150
GTIN (EAN)	4050118045390	mm, Width: 180 mm, Depth: 20 mm, Material: Stainless steel 1.4301,
Qty.	1 pc(s).	Mirror polished, silver
Type	DOHA KTB A6 S2 W	Version
Order No.	1252760000	Klippon TB (Terminal Box), Document holders, welded, Height: 110
GTIN (EAN)	4050118045130	mm, Width: 130 mm, Depth: 20 mm, Material: Stainless steel 1.4301,
Qty.	1 pc(s).	Mirror polished, silver

Flange plates made out of stainless steel - 6 mm



Integrate, expand and customise: The ideal expansion for every application

The consistent structure of accessories for the new Klippon® TB enclosure range means that you can easily adapt the enclosure to the specific requirements of each application.

Flange plates

Flange plates in two thicknesses, for easy replacement of pre-assembled flange plates on site.

General ordering data

Type	KTB GP 453820 CD S4 6MM	Version
Order No.	1256520000	Klippon TB (Terminal Box), flange plate, Height: 402 mm, Width: 167
GTIN (EAN)	4050118093896	mm, Depth: 6 mm, Gland plates: left, right, Material: Stainless steel
Qty.	1 pc(s).	1.4404, electropolished, silver
Type	KTB GP 453820 AB S4 6MM	Version
Order No.	1256510000	Klippon TB (Terminal Box), flange plate, Height: 372 mm, Width: 167
GTIN (EAN)	4050118093889	mm, Depth: 6 mm, Gland plates: top, Bottom, Material: Stainless steel
Qty.	1 pc(s).	1.4404, electropolished, silver

**Klippon TB MH (Terminal Box - Multi Hinge)
KTB MH 453820 S4E4**

Weidmüller Interface GmbH & Co. KG
 Klingenbergstraße 26
 D-32758 Detmold
 Germany
 Fon: +49 5231 14-0
 Fax: +49 5231 14-292083
 www.weidmueller.com

Accessories**Mounting plates fastening**

For many years, the name Klippon® has stood for competence and quality in enclosures. The Klippon® EBi industrial enclosure series protects your components reliably if they are used in moderate environmental conditions and is designed for everyday applications. With the ever-increasing need for individual application solutions, the Klippon® EBi with its high degree of protection and impact resistance is ideally suited to your needs. Our standard product is the Klippon® EBi QL – with hinged door and double-bit key lock. A variant with mounting screws is also available, but is only manufactured on request and is subject to a minimum order quantity. DNV GL and cULus approvals are also available on request.

General ordering data

Type	GFSC M5X10 TX20 SET	Version
Order No.	1274150000	Klippon EBi (Essential Box industrial), Mounting screw, silver
GTIN (EAN)	4050118063820	
Qty.	1 pc(s).	

458 x 382mm

**Integrate, expand and customise:
The ideal expansion for every application**
 The consistent structure of accessories for the new Klippon® TB enclosure range means that you can easily adapt the enclosure to the specific requirements of each application.
Mounting plates
 Mounting plates, with and without hole patterns, for longitudinal and transverse mounting of DIN mounting rails or components directly onto the mounting plate.

General ordering data

Type	KTB MOPL 4538 S2N	Version
Order No.	1193860000	Klippon TB (Terminal Box), Mounting plate, Height: 403 mm, Width: 321 mm, Depth: 12 mm, Material: Stainless steel 1.4301 (304), untreated, silver
GTIN (EAN)	4050118028461	
Qty.	1 pc(s).	
Type	KTB MOPL 4538 S2N H	Version
Order No.	1257700000	Klippon TB (Terminal Box), Mounting plate, prepunched, Height: 403 mm, Width: 321 mm, Depth: 1.5 mm, Material: Stainless steel 1.4301 (304), untreated, silver
GTIN (EAN)	4050118049411	
Qty.	1 pc(s).	
Type	KTB MOPL 4538 MSZN	Version
Order No.	1193990000	Klippon TB (Terminal Box), Mounting plate, Height: 403 mm, Width: 321 mm, Depth: 12 mm, Material: Sheet steel, galvanized, silver
GTIN (EAN)	4050118028591	
Qty.	1 pc(s).	

Klippon TB MH (Terminal Box - Multi Hinge) KTB MH 453820 S4E4

Weidmüller Interface GmbH & Co. KG
Klingenbergstraße 26
D-32758 Detmold
Germany
Fon: +49 5231 14-0
Fax: +49 5231 14-292083
www.weidmueller.com

Accessories

Type	KTB MOPL 4538 MSZN H	Version
Order No.	2022590000	Klippon TB (Terminal Box), Mounting plate, prepunched, Height:
GTIN (EAN)	4050118403657	403 mm, Width: 321 mm, Depth: 1.5 mm, Material: Sheet steel,
Qty.	1 pc(s).	galvanized, silver

Stainless steel 1.4301



Integrate, expand and customise: The ideal expansion for every application

The consistent structure of accessories for the new Klippon® TB enclosure range means that you can easily adapt the enclosure to the specific requirements of each application.

Rain Covers

The rain cover provides an ideal, additional level of protection for the enclosure if it is installed in unusual climatic zones with, for instance, very heavy rainfall or extreme levels of direct sunlight.

General ordering data

Type	KTB RNHD 453820 R	Version
Order No.	1281460000	Klippon TB (Terminal Box), Rain hood, Height: 55.9 mm, Width: 387
GTIN (EAN)	4050118072228	mm, Depth: 211.2 mm, Material: Stainless steel 1.4301, Mirror
Qty.	1 pc(s).	polished, silver

TS 35



Integrate, expand and customise - the perfect supplement to every application

The fully structured range of system accessories for the new Klippon® TB enclosure series allows you to easily adapt the enclosures to meet the specific requirements of every application.

The following options are available:

- Document holders
- Flange plates
- Mounting plates
- Locking systems
- Type label holders
- Rain hoods
- Earthing studs

General ordering data

Type	TS35X7.5 ST KTB4538 HOR	Version
Order No.	8000006724	Rail, TS 35, TS 35 x 7.5, Length: 321 mm, without slot, Steel,
GTIN (EAN)	4050118652925	galvanized, chromium-plated
Qty.	20 pc(s).	
Type	TS35X7.5 ST KTB4538 VER	Version
Order No.	8000006713	Rail, TS 35, TS 35 x 7.5, Length: 403 mm, without slot, Steel,
GTIN (EAN)	4050118652864	galvanized, chromium-plated
Qty.	20 pc(s).	

**Klippon TB MH (Terminal Box - Multi Hinge)
KTB MH 453820 S4E4**

Weidmüller Interface GmbH & Co. KG
 Klingenbergstraße 26
 D-32758 Detmold
 Germany
 Fon: +49 5231 14-0
 Fax: +49 5231 14-292083
 www.weidmueller.com

Accessories**without earthing studs****Integrate, expand and customise:
The ideal expansion for every application**

The consistent structure of accessories for the new Klippon® TB enclosure range means that you can easily adapt the enclosure to the specific requirements of each application.

Flange plates

Flange plates in two thicknesses, for easy replacement of pre-assembled flange plates on site.

General ordering data

Type	KTB GP 453820 AB S4	Version
Order No.	1281090000	Klippon TB (Terminal Box), flange plate, Height: 372 mm, Width: 167 mm, Depth: 3 mm, Gland plates: top, Bottom, Material: Stainless steel
GTIN (EAN)	4050118072020	1.4404, electropolished, silver
Qty.	1 pc(s).	
Type	KTB GP 453820 CD S4	Version
Order No.	1281100000	Klippon TB (Terminal Box), flange plate, Height: 402 mm, Width: 167 mm, Depth: 3 mm, Gland plates: left, right, Material: Stainless steel
GTIN (EAN)	4050118071641	1.4404, electropolished, silver
Qty.	1 pc(s).	

Ratings plate holder**Integrate, expand and customise:
The ideal expansion for every application**

The consistent structure of accessories for the new Klippon® TB enclosure range means that you can easily adapt the enclosure to the specific requirements of each application.

Nameplate holders

There are a variety of designed label holders available for prominent display as required and for additional nameplates as needed.

General ordering data

Type	TPSDHA KTB 70X70M3 S2 R	Version
Order No.	1279320000	Klippon TB (Terminal Box), Ratings plate holder, Riveted, Height: 70 mm, Width: 70 mm, Depth: 20 mm, Material: Stainless steel 1.4301,
GTIN (EAN)	4050118070101	Mirror polished, silver
Qty.	1 pc(s).	
Type	TPSDHA KTB 100X25 S2 2R	Version
Order No.	1257640000	Klippon TB (Terminal Box), Ratings plate holder, Riveted, Height: 25 mm, Width: 141 mm, Depth: 16.5 mm, Material: Stainless steel
GTIN (EAN)	4050118070354	1.4301, Mirror polished, silver
Qty.	1 pc(s).	
Type	TPSDHA KTB 130X50 S2 R	Version
Order No.	1283450000	Klippon TB (Terminal Box), Ratings plate holder, Riveted, Height: 50 mm, Width: 171 mm, Depth: 16.5 mm, Material: Stainless steel
GTIN (EAN)	4050118073621	1.4301, Mirror polished, silver
Qty.	1 pc(s).	

Data sheet

**Klippon TB MH (Terminal Box - Multi Hinge)
KTB MH 453820 S4E4**

Weidmüller Interface GmbH & Co. KG
Klingenbergstraße 26
D-32758 Detmold
Germany
Fon: +49 5231 14-0
Fax: +49 5231 14-292083
www.weidmueller.com

Accessories

Stainless steel 1.4404 (316L)



Integrate, expand and customise:

The ideal expansion for every application

The consistent structure of accessories for the new Klippon® TB enclosure range means that you can easily adapt the enclosure to the specific requirements of each application.

Rain Covers

The rain cover provides an ideal, additional level of protection for the enclosure if it is installed in unusual climatic zones with, for instance, very heavy rainfall or extreme levels of direct sunlight.

General ordering data

Type	KTB RNHD 453820 S4E R	Version	
Order No.	1314200000	Klippon TB (Terminal Box), Rain hood, Height: 55.9 mm, Width: 387	
GTIN (EAN)	4050118117523	mm, Depth: 211.2 mm, Material: Stainless steel 1.4404 (316L),	
Qty.	1 pc(s).	electropolished, silver	