

SAI Passive
SAI-8-F 3P M8 L 15M

Weidmüller Interface GmbH & Co. KG
Klingenbergstraße 26
D-32758 Detmold
Germany
Fon: +49 5231 14-0
Fax: +49 5231 14-292083
www.weidmueller.com



The new slim M8 line from Weidmüller. This range of products is characterised by the marking options at all connection positions. Even the 4-way distributor with 8-pole M12 has adequately large markers at all M8 connection positions. Furthermore, this distributor is shorter than many conventional M8 designs.

- Very narrow, short and flat M8 distributor.
- The range is supplied with 4 to 12 M8 connection positions, 3 or 4 poles.
- Hybrid variants of the M8 are also possible on request.
- The M8 line is equipped with transverse holes.

General ordering data

| | |
|------------|--------------------------------------------------------------------------------------|
| Type | SAI-8-F 3P M8 L 15M |
| Order No. | 1179330000 |
| Version | SAI Passive, Sensor-actuator passive distributor, M8, Fixed cable version, 15 m, Yes |
| GTIN (EAN) | 4032248970933 |
| Qty. | 1 pc(s). |

Creation date May 2, 2020 10:32:06 AM CEST

Catalogue status 17.04.2020 / We reserve the right to make technical changes.

SAI Passive
SAI-8-F 3P M8 L 15M

Weidmüller Interface GmbH & Co. KG
 Klingenbergstraße 26
 D-32758 Detmold
 Germany
 Fon: +49 5231 14-0
 Fax: +49 5231 14-292083
 www.weidmueller.com

Technical data**Dimensions and weights**

| | | | |
|------------|---------|-----------------|------------|
| Width | 24 mm | Width (inches) | 0.945 inch |
| Height | 144 mm | Height (inches) | 5.669 inch |
| Depth | 18.2 mm | Depth (inches) | 0.717 inch |
| Net weight | 1,239 g | | |

Temperatures

| | | | |
|-----------------------------|------------|-----------------------------|-----------------|
| Operating temperature, max. | 70 °C | Operating temperature, min. | -20 °C |
| Operating temperature | -20 - 70°C | Ambient temperature | -25 °C...+70 °C |

Environmental Product Compliance

| | |
|------------|----------------|
| REACH SVHC | Lead 7439-92-1 |
|------------|----------------|

Connection data

| | |
|--------------------|---------------------|
| Distributor outlet | Fixed cable version |
|--------------------|---------------------|

Electrical data

| | | | |
|-----------------------------------------|-------------------|---------------------|------|
| Rated voltage, min. | 15 V | Rated voltage, max. | 30 V |
| Max. current-carrying capacity per slot | 2 A | Total current | 6 A |
| Insulation strength | 10 ⁹ Ω | | |

General technical data

| | | | |
|---------------------------|------|-------------------|-----|
| Protection degree | IP68 | Number of poles | 3 |
| Number of contact sockets | 8 | Connection thread | M8 |
| Pollution severity | 3 | LED | Yes |

Material data

| | | | |
|--------------------------|----------------|-----------------|----------------|
| Housing main material | Pocan | Housing colour | grey, RAL 7032 |
| Contact material | CuZn | Contact surface | Gold-plated |
| Contact carrier material | PBT (UL 94 V0) | | |

Technical data cable

| | | | |
|-----------------|--------|------------------------------|-----------------------------------------------------|
| Cable length | 15 m | Suitable for cable carriers | Yes |
| Number of poles | 3 | Wire cross section | 8 x 0.34 mm ² + 2 x 0.75 mm ² |
| O.D. | 7.4 mm | Shielded | No |
| Sheath material | PUR | Sheathing colour | black |
| Halogen | No | Bending radius, min., moving | 10 x cable diameter |
| Bending cycles | 2 Mio | | |

Classifications

| | | | |
|-------------|-------------|------------|-------------|
| ETIM 6.0 | EC002585 | ETIM 7.0 | EC002585 |
| eClass 9.0 | 27-44-01-08 | eClass 9.1 | 27-44-01-08 |
| eClass 10.0 | 27-44-01-08 | | |

Data sheet**SAI Passive
SAI-8-F 3P M8 L 15M**

Weidmüller Interface GmbH & Co. KG
Klingenbergstraße 26
D-32758 Detmold
Germany
Fon: +49 5231 14-0
Fax: +49 5231 14-292083
www.weidmueller.com

Technical data**Approvals**

Approvals



ROHS

Conform

Downloads

Brochure/Catalogue

[FL FIELDWIRING EN](#)

Engineering Data

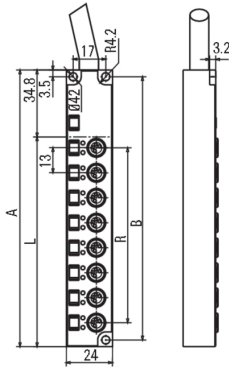
[STEP](#)

**SAI Passive
SAI-8-F 3P M8 L 15M**

Weidmüller Interface GmbH & Co. KG
 Klingenbergstraße 26
 D-32758 Detmold
 Germany
 Fon: +49 5231 14-0
 Fax: +49 5231 14-292083
 www.weidmueller.com

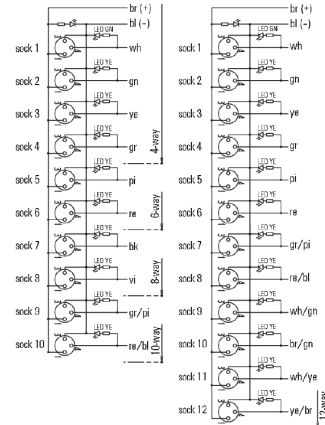
Drawings

Dimensioned drawing



| Steckplatze | A | B | L | R |
|-------------|-----|-----|-------|-----|
| 4 | 82 | 86 | 57.2 | 38 |
| 6 | 118 | 111 | 83.2 | 66 |
| 8 | 144 | 137 | 109.2 | 91 |
| 10 | 170 | 163 | 136.2 | 117 |
| 12 | 196 | 188 | 161.2 | 143 |

Wiring diagram



**SAI Passive
SAI-8-F 3P M8 L 15M**

Weidmüller Interface GmbH & Co. KG
 Klingenbergstraße 26
 D-32758 Detmold
 Germany
 Fon: +49 5231 14-0
 Fax: +49 5231 14-292083
 www.weidmueller.com

Accessories

M8

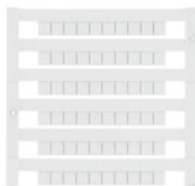


Protective caps protect unassigned plug-in stations against external influences.

General ordering data

| | | |
|------------|----------------------------|------------------------------------------------|
| Type | SAI-SK M8 | Version |
| Order No. | 1802760000 | Protected component assemblies, Protective cap |
| GTIN (EAN) | 4032248257379 | |
| Qty. | 50 pc(s). | |

Blank



The Dekafix (DEK) marker is the universal marker for all conductor and plug-in connectors as well as for electronic sub-assemblies. The system is ideal for short number sequences and covers a wide range of ready-printed markers.

Strips for fast installation in only one work step. The printing is easy to read, rich in contrast and available in various widths.

- Large range of ready-to-use markers
- Strips for fast installation
- Terminal markers, suitable for all Weidmüller cable connectors
- Available as blank MultiCard or with standard printing

For custom printing: Please send us a file of our labeling software M-Print PRO or M-Print PRO Online (without installation) for your labeling specifications.

General ordering data

| | | |
|------------|----------------------------|-----------------------------------------------------------|
| Type | DEK 5/5 MC NE WS | Version |
| Order No. | 1609801044 | Dekafix, Terminal marker, 5 x 5 mm, Pitch in mm (P): 5.00 |
| GTIN (EAN) | 4008190397111 | Weidmueller, white |
| Qty. | 1,000 pc(s). | |

Data sheet**SAI Passive
SAI-8-F 3P M8 L 15M**

Weidmüller Interface GmbH & Co. KG
Klingenbergstraße 26
D-32758 Detmold
Germany
Fon: +49 5231 14-0
Fax: +49 5231 14-292083
www.weidmueller.com

Accessories**Tool**

Tools for stripping the sheathing from uncut power lines and outlet lines, plus screwdrivers for installing Pick-to-Light components.

General ordering data

| | | |
|------------|----------------------------|---------------------|
| Type | SCREWTY SET -DM | Version |
| Order No. | 1920000000 | Tools, Bolting tool |
| GTIN (EAN) | 4032248436859 | |
| Qty. | 1 pc(s). | |