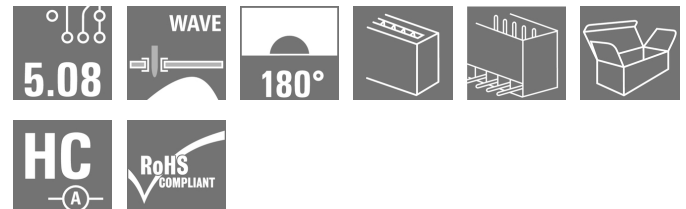
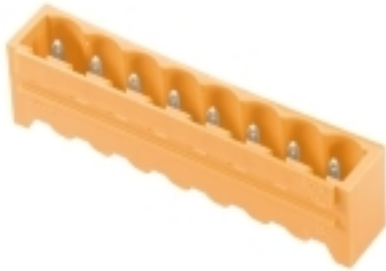


**OMNIMATE Signal - series BL/SL 5.08
SL 5.08HC/13/180G 3.2SN BK BX**

Weidmüller Interface GmbH & Co. KG
 Klingenbergstraße 26
 D-32758 Detmold
 Germany
 Fon: +49 5231 14-0
 Fax: +49 5231 14-292083
 www.weidmueller.com



Similar to illustration

Pin headers in glass-fibre-reinforced plastic with straight wire outlet; optimised for wave soldering. The flange variant (F) can be screwed onto the respective counter piece or the circuit board. There is no need for an extra screw to connect the circuit board when the solder flange (LF) version is used. This also protects the solder points from mechanical strain. All pin headers can be manually coded or ordered pre-coded. HC = High Current.

General ordering data

| | |
|--------------|---|
| Type | SL 5.08HC/13/180G 3.2SN BK BX |
| Order No. | 1149000000 |
| Version | PCB plug-in connector, male header, closed side, THT solder connection, 5.08 mm, Number of poles: 13, 180°, Solder pin length (l): 3.2 mm, tinned, black, Box |
| GTIN (EAN) | 4032248935543 |
| Qty. | 50 pc(s). |
| Product data | IEC: 400 V / 24 A UL: 300 V / 18.5 A |
| Packaging | Box |

Creation date May 2, 2020 3:40:47 AM CEST

**OMNIMATE Signal - series BL/SL 5.08
SL 5.08HC/13/180G 3.2SN BK BX**

Weidmüller Interface GmbH & Co. KG
Klingenbergstraße 26
D-32758 Detmold
Germany
Fon: +49 5231 14-0
Fax: +49 5231 14-292083
www.weidmueller.com

Technical data**Dimensions and weights**

| | | | |
|--------------------------|------------|-----------------|------------|
| Width | 69.24 mm | Width (inches) | 2.726 inch |
| Height | 15.2 mm | Height (inches) | 0.598 inch |
| Height of lowest version | 12 mm | Depth | 8.5 mm |
| Depth (inches) | 0.335 inch | Net weight | 4.004 g |

System specifications

| | | | |
|--|-------------------------------------|---------------------------------|-----------------------|
| Product family | OMNIMATE Signal - series BL/SL 5.08 | Type of connection | Board connection |
| Mounting onto the PCB | THT solder connection | Pitch in mm (P) | 5.08 mm |
| Pitch in inches (P) | 0.2 inch | Outgoing elbow | 180° |
| Number of poles | 13 | Number of solder pins per pole | 1 |
| Solder pin length (l) | 3.2 mm | Solder pin length tolerance | +0.1 / -0.3 mm |
| Tolerance of solder pin position | ± 0.15 mm | Solder pin dimensions | d = 1.2 mm, Octagonal |
| Solder pin dimensions = d tolerance | 0 / -0.03 mm | Solder eyelet hole diameter (D) | 1.3 mm |
| Solder eyelet hole diameter tolerance (D)+ | 0,1 mm | L1 in mm | 60.96 mm |
| L1 in inches | 2.4 inch | Number of rows | 1 |
| Pin series quantity | 1 | Volume resistance | ≤ 5mΩ |
| Can be coded | Yes | Plugging cycles | 25 |
| Plugging force/pole, max. | 10 N | Pulling force/pole, max. | 7.5 N |

Material data

| | | | |
|---------------------------------------|----------------------------|---------------------------------------|----------------------------|
| Insulating material | PA GF | Colour | black |
| Colour chart (similar) | RAL 9011 | Insulating material group | II |
| Comparative Tracking Index (CTI) | ≥ 550 | Insulation strength | ≥ 10 ⁸ Ω |
| UL 94 flammability rating | V-0 | GWFI | 960 °C |
| Contact material | CuMg | Contact surface | tinned |
| Layer structure of solder connection | 1-3 μm Ni / 2-4 μm Sn matt | Layer structure of plug contact | 1-3 μm Ni / 2-4 μm Sn matt |
| Storage temperature, min. | -25 °C | Storage temperature, max. | 50 °C |
| Max. relative humidity during storage | 70 % | Operating temperature, min. | -50 °C |
| Operating temperature, max. | 100 °C | Temperature range, installation, min. | -25 °C |
| Temperature range, installation, max. | 100 °C | | |

Rated data acc. to IEC

| | | | |
|---|------------------------|---|-------|
| tested acc. to standard | IEC 60664-1, IEC 61984 | Rated current, min. number of poles (Tu=20°C) | 24 A |
| Rated current, max. number of poles (Tu=20°C) | 19 A | Rated current, min. number of poles (Tu=40°C) | 21 A |
| Rated current, max. number of poles (Tu=40°C) | 16.5 A | Rated voltage for surge voltage class / pollution degree II/2 | 400 V |
| Rated voltage for surge voltage class / pollution degree III/2 | 320 V | Rated voltage for surge voltage class / pollution degree III/3 | 250 V |
| Rated impulse voltage for surge voltage class/ pollution degree II/2 | 4 kV | Rated impulse voltage for surge voltage class/ pollution degree III/2 | 4 kV |
| Rated impulse voltage for surge voltage class/ contamination degree III/3 | 4 kV | | |

Rated data acc. to CSA

| | | | |
|-----------------------------------|--------|-----------------------------------|--------|
| Rated voltage (Use group B / CSA) | 300 V | Rated voltage (Use group D / CSA) | 300 V |
| Rated current (Use group B / CSA) | 18.5 A | Rated current (Use group D / CSA) | 18.5 A |

Data sheet

OMNIMATE Signal - series BL/SL 5.08 SL 5.08HC/13/180G 3.2SN BK BX

Weidmüller Interface GmbH & Co. KG
 Klingenbergstraße 26
 D-32758 Detmold
 Germany
 Fon: +49 5231 14-0
 Fax: +49 5231 14-292083
 www.weidmueller.com

Technical data

Rated data acc. to UL 1059

Institute (cURus)



Certificate No. (cURus)

E60693

Rated voltage (Use group B / UL 1059) 300 V

Rated voltage (Use group D / UL 1059) 300 V

Rated current (Use group B / UL 1059) 18.5 A

Rated current (Use group D / UL 1059) 10 A

Reference to approval values

Specifications are maximum values, details - see approval certificate.

Packing

Packaging

Box

VPE length

0

VPE width

0

VPE height

0

Classifications

ETIM 6.0

EC002637

ETIM 7.0

EC002637

eClass 9.0

27-44-04-02

eClass 9.1

27-44-04-02

eClass 10.0

27-44-04-02

Notes

Notes

- Additional colours on request
- Gold-plated contact surfaces on request
- Rated current related to rated cross-section & min. No. of poles.
- P on drawing = pitch
- Rated data refer only to the component itself. Clearance and creepage distances to other components are to be designed in accordance with the relevant application standards.

IPC conformity

Conformity: The products are developed, manufactured and delivered according international recognized standards and norms and comply with the assured properties in the data sheet resp. fulfill decorative properties in accordance with IPC-A-610 "Class 2". Further claims on the products can be evaluated on request.

Approvals

Approvals



ROHS

Conform

Data sheet**OMNIMATE Signal - series BL/SL 5.08
SL 5.08HC/13/180G 3.2SN BK BX**

Weidmüller Interface GmbH & Co. KG
Klingenbergstraße 26
D-32758 Detmold
Germany
Fon: +49 5231 14-0
Fax: +49 5231 14-292083
www.weidmueller.com

Technical data**Downloads**

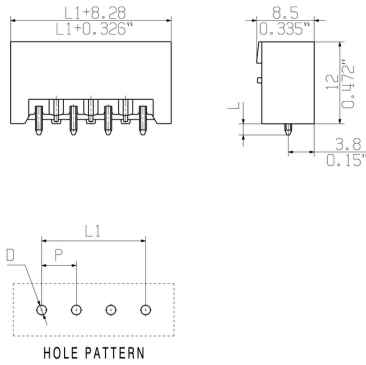
| | |
|---|--|
| Approval/Certificate/Document of Conformity | CB Certificate CB Testreport Declaration of the Manufacturer |
| Brochure/Catalogue | FL DRIVES EN MB DEVICE MANUF. EN FL DRIVES DE CAT 2 PORTFOLIOGUIDE EN FL BUILDING SAFETY EN FL APPL LED LIGHTING EN FLIndustr.CONTROLS EN FL MACHINE SAFETY EN FL HEATING ELECTR EN FL APPL INVERTER EN FL_BASE_STATION_EN FL ELEVATOR EN FL POWER SUPPLY EN FL 72H SAMPLE SER EN PO OMNIMATE EN |
| Engineering Data | STEP |
| Product Change Notification | EN - Change of packaging DE - Change of packaging |

**OMNIMATE Signal - series BL/SL 5.08
SL 5.08HC/13/180G 3.2SN BK BX**

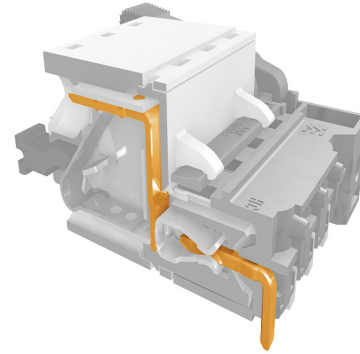
Weidmüller Interface GmbH & Co. KG
Klingenbergstraße 26
D-32758 Detmold
Germany
Fon: +49 5231 14-0
Fax: +49 5231 14-292083
www.weidmueller.com

Drawings

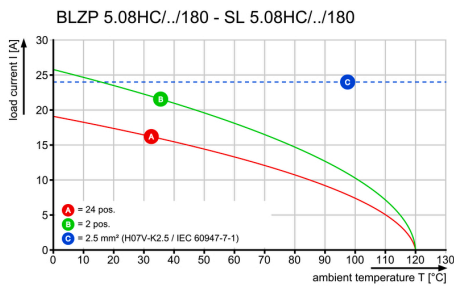
Dimensional drawing



Product benefits

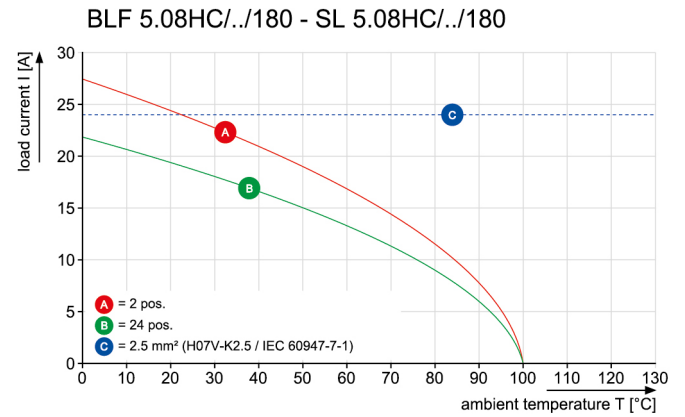


Graph

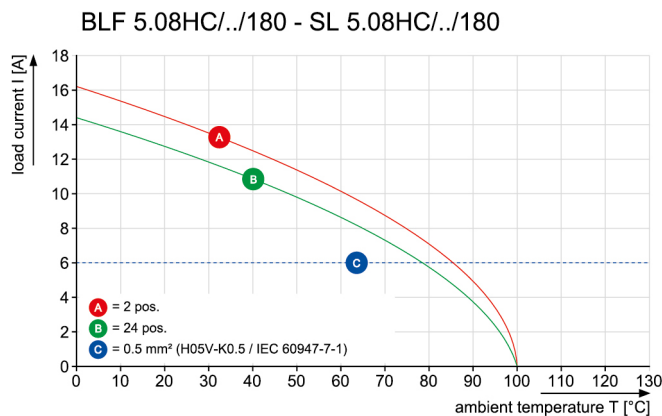


Graph

Safe power transmission
Proven properties



Graph



**OMNIMATE Signal - series BL/SL 5.08
SL 5.08HC/13/180G 3.2SN BK BX**

Weidmüller Interface GmbH & Co. KG
Klingenbergstraße 26
D-32758 Detmold
Germany
Fon: +49 5231 14-0
Fax: +49 5231 14-292083
www.weidmueller.com

Mating connector (fully pluggable)
BLZP 5.08HC/225 SN


Clamping-yoke connection with right-angled (90° or 270°) or angled (225°) outlet direction. The female connectors provide space for labelling and can be coded. Fastened by means of a flange or release latch. They also provide an integrated plus/minus screw, protection against faulty insertion of the wire, and they are delivered with open clamping yokes. HC = High Current.

General ordering data

| Type | BLZP 5.08HC/13/225 SN B ... | Version | Product data | Packaging |
|------------|-----------------------------|--|---|-----------|
| Order No. | 1946670000 | PCB plug-in connector, female plug, 5.08 mm, Number of poles: 13, | IEC: 400 V / 17.5 A / 0.2 - 4 mm ² | Box |
| GTIN (EAN) | 4032248622443 | 225°, Clamping yoke connection, Clamping range, max. : 4 mm ² , Box | UL: 300 V / 15 A / AWG 26 - AWG 12 | |
| Qty. | 24 pc(s). | | | |
| Type | BLZP 5.08HC/13/225 SN O ... | Version | Product data | Packaging |
| Order No. | 1946360000 | PCB plug-in connector, female plug, 5.08 mm, Number of poles: 13, | IEC: 400 V / 17.5 A / 0.2 - 4 mm ² | Box |
| GTIN (EAN) | 4032248622139 | 225°, Clamping yoke connection, Clamping range, max. : 4 mm ² , Box | UL: 300 V / 15 A / AWG 26 - AWG 12 | |
| Qty. | 24 pc(s). | | | |

BLZP 5.08HC/270 SN


Female plugs with clamping-yoke connection for connecting wires with a right-angle (90° or 270°) outlet direction. The female connectors provide space for labelling and can be coded. Fastened by means of a flange or release latch. They also provide an integrated plus/minus screw, protection against faulty insertion of the wire, and they are delivered with open clamping yokes. HC = High Current.

General ordering data

| Type | BLZP 5.08HC/13/270 SN O ... | Version | Product data | Packaging |
|------------|-----------------------------|--|---|-----------|
| Order No. | 1948900000 | PCB plug-in connector, female plug, 5.08 mm, Number of poles: 13, | IEC: 400 V / 23 A / 0.2 - 4 mm ² | Box |
| GTIN (EAN) | 4032248626359 | 270°, Clamping yoke connection, Clamping range, max. : 4 mm ² , Box | UL: 300 V / 20 A / AWG 26 - AWG 12 | |
| Qty. | 24 pc(s). | | | |
| Type | BLZP 5.08HC/13/270 SN B ... | Version | Product data | Packaging |
| Order No. | 1949130000 | PCB plug-in connector, female plug, 5.08 mm, Number of poles: 13, | IEC: 400 V / 23 A / 0.2 - 4 mm ² | Box |
| GTIN (EAN) | 4032248626588 | 270°, Clamping yoke connection, Clamping range, max. : 4 mm ² , Box | UL: 300 V / 20 A / AWG 26 - AWG 12 | |
| Qty. | 24 pc(s). | | | |

**OMNIMATE Signal - series BL/SL 5.08
SL 5.08HC/13/180G 3.2SN BK BX**

Weidmüller Interface GmbH & Co. KG
Klingenbergstraße 26
D-32758 Detmold
Germany
Fon: +49 5231 14-0
Fax: +49 5231 14-292083
www.weidmueller.com

Mating connector (fully pluggable)**BLZP 5.08HC/180 SN**

Female plug with clamping-yoke screw system for connecting wires with straight (180°) outlet direction. The female connectors provide space for labelling and can be coded. Fastened by means of a flange or release latch. They also provide an integrated plus/minus screw, protection against faulty insertion of the wire, and they are delivered with open clamping yokes. HC = High Current.

General ordering data

| Type | BLZP 5.08HC/13/180 SN O ... | Version | Product data | Packaging |
|------------|-----------------------------|--|---|-----------|
| Order No. | 1943690000 | PCB plug-in connector, female plug, 5.08 mm, Number of poles: 13, | IEC: 400 V / 23 A / 0.2 - 4 mm ² | Box |
| GTIN (EAN) | 4032248617708 | 180°, Clamping yoke connection, Clamping range, max. : 4 mm ² , Box | UL: 300 V / 20 A / AWG 26 - AWG 12 | |
| Qty. | 24 pc(s). | | | |
| Type | BLZP 5.08HC/13/180 SN B ... | Version | Product data | Packaging |
| Order No. | 1943920000 | PCB plug-in connector, female plug, 5.08 mm, Number of poles: 13, | IEC: 400 V / 23 A / 0.2 - 4 mm ² | Box |
| GTIN (EAN) | 4032248618057 | 180°, Clamping yoke connection, Clamping range, max. : 4 mm ² , Box | UL: 300 V / 20 A / AWG 26 - AWG 12 | |
| Qty. | 24 pc(s). | | | |

BLF 5.08HC/180 SN

Just as reliable as the millionfold proven original and featuring innovative details:
The BLF 5.08HC PUSH IN version of the BLZP 5.08HC female connector is not only different in terms of connection system; it also has a more compact design. Weidmüller's innovative PUSH IN spring connection system stands for the future of easy and tool-free wire connection. HC = High Current.
In terms of versatility, the BLF 5.08HC offers just as much as the version which served as a model:

- 3 tested-and-proven wire outlet directions provide the usual flexibility for application-specific design
- 4 flange variations and the patented release latch allow the locking concept to be based on the requirements of the user
- Use the BLF 5.08HC and SL 5.08HC plug combination to reach the max. rated specifications

General ordering data

| Type | BLF 5.08HC/13/180 SN BK ... | Version | Product data | Packaging |
|------------|-----------------------------|---|---|-----------|
| Order No. | 1013550000 | PCB plug-in connector, female plug, 5.08 mm, Number of poles: 13, | IEC: 400 V / 24 A / 0.2 - 2.5 mm ² | Box |
| GTIN (EAN) | 4032248721696 | 180°, PUSH IN, Spring connection, Clamping range, max. : 3.31 mm ² , Box | UL: 300 V / 18.5 A / AWG 26 - AWG 12 | |
| Qty. | 24 pc(s). | | | |
| Type | BLF 5.08HC/13/180 SN OR ... | Version | Product data | Packaging |
| Order No. | 1013810000 | PCB plug-in connector, female plug, 5.08 mm, Number of poles: 13, | IEC: 400 V / 24 A / 0.2 - 2.5 mm ² | Box |
| GTIN (EAN) | 4032248721917 | 180°, PUSH IN, Spring connection, Clamping range, max. : 3.31 mm ² , Box | UL: 300 V / 18.5 A / AWG 26 - AWG 12 | |
| Qty. | 24 pc(s). | | | |

**OMNIMATE Signal - series BL/SL 5.08
SL 5.08HC/13/180G 3.2SN BK BX**

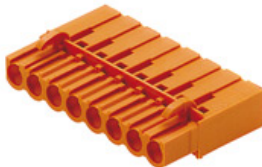
Weidmüller Interface GmbH & Co. KG
Klingenbergstraße 26
D-32758 Detmold
Germany
Fon: +49 5231 14-0
Fax: +49 5231 14-292083
www.weidmuller.com

Mating connector (fully pluggable)
BLZP 5.08HC/90 SN


Female plugs with clamping-yoke connection for connecting wires with a right-angle (90° or 270°) outlet direction. The female connectors provide space for labelling and can be coded. Fastened by means of a flange or release latch. They also provide an integrated plus/minus screw, protection against faulty insertion of the wire, and they are delivered with open clamping yokes. HC = High Current.

General ordering data

| Type | BLZP 5.08HC/13/90 SN BK ... | Version | Product data | Packaging |
|------------|-----------------------------|---|---|-----------|
| Order No. | 1948350000 | PCB plug-in connector, female plug, 5.08 mm, Number of poles: 13, | IEC: 400 V / 23 A / 0.2 - 4 mm ² | Box |
| GTIN (EAN) | 4032248624874 | 90°, Clamping yoke connection, Clamping range, max. : 4 mm ² , Box | UL: 300 V / 20 A / AWG 26 - AWG 12 | |
| Qty. | 24 pc(s). | | | |
| Type | BLZP 5.08HC/13/90 SN OR ... | Version | Product data | Packaging |
| Order No. | 1948120000 | PCB plug-in connector, female plug, 5.08 mm, Number of poles: 13, | IEC: 400 V / 23 A / 0.2 - 4 mm ² | Box |
| GTIN (EAN) | 4032248624546 | 90°, Clamping yoke connection, Clamping range, max. : 4 mm ² , Box | UL: 300 V / 20 A / AWG 26 - AWG 12 | |
| Qty. | 24 pc(s). | | | |

BLC 5.08R


Female plugs with crimp wire connection system. The female plugs provide space for labelling and can be coded.

General ordering data

| Type | BLC 5.08/13/180R BK BX | Version | Product data | Packaging |
|------------|----------------------------|--|------------------------------------|-----------|
| Order No. | 1712070000 | PCB plug-in connector, female plug, 5.08 mm, Number of poles: 13, | IEC: 400 V / 21 A | Box |
| GTIN (EAN) | 4008190935085 | 180°, Crimp connection, Clamping range, max. : 2.5 mm ² , Box | UL: 300 V / 10 A / AWG 26 - AWG 14 | |
| Qty. | 50 pc(s). | | | |
| Type | BLC 5.08/13/180R OR BX | Version | Product data | Packaging |
| Order No. | 1610600000 | PCB plug-in connector, female plug, 5.08 mm, Number of poles: 13, | IEC: 400 V / 21 A | Box |
| GTIN (EAN) | 4008190032135 | 180°, Crimp connection, Clamping range, max. : 2.5 mm ² , Box | UL: 300 V / 10 A / AWG 26 - AWG 14 | |
| Qty. | 50 pc(s). | | | |

**OMNIMATE Signal - series BL/SL 5.08
SL 5.08HC/13/180G 3.2SN BK BX**

Weidmüller Interface GmbH & Co. KG
Klingenbergstraße 26
D-32758 Detmold
Germany
Fon: +49 5231 14-0
Fax: +49 5231 14-292083
www.weidmueller.com

Mating connector (fully pluggable)
BLF 5.08HC/90 SN


Just as reliable as the millionfold proven original and featuring innovative details:

The BLF 5.08HC PUSH IN version of the BLZP 5.08HC female connector is not only different in terms of connection system; it also has a more compact design. Weidmüller's innovative PUSH IN spring connection system stands for the future of easy and tool-free wire connection. HC = High Current.

In terms of versatility, the BLF 5.08HC offers just as much as the version which served as a model:

- 3 tested-and-proven wire outlet directions provide the usual flexibility for application-specific design
- 4 flange variations and the patented release latch allow the locking concept to be based on the requirements of the user
- Use the BLF 5.08HC and SL 5.08HC plug combination to reach the max. rated specifications

General ordering data

| Type | BLF 5.08HC/13/90 SN BK ... | Version | Product data | Packaging |
|------------|----------------------------|--|---|-----------|
| Order No. | 1000140001 | PCB plug-in connector, female plug, 5.08 mm, Number of poles: 13, | IEC: 400 V / 24 A / 0.2 - 2.5 mm ² | Box |
| GTIN (EAN) | 4032248690091 | 90°, PUSH IN, Spring connection, Clamping range, max. : 3.31 mm ² , | UL: 300 V / 18.5 A / AWG 26 - AWG | |
| Qty. | 24 pc(s). | Box | 12 | |
| Type | BLF 5.08HC/13/90 SN OR ... | Version | Product data | Packaging |
| Order No. | 1001640000 | PCB plug-in connector, female plug, 5.08 mm, Number of poles: 13, | IEC: 400 V / 24 A / 0.2 - 2.5 mm ² | Box |
| GTIN (EAN) | 4032248693443 | 90°, PUSH IN, Spring connection, Clamping range, max. : 3.31 mm ² , | UL: 300 V / 18.5 A / AWG 26 - AWG | |
| Qty. | 24 pc(s). | Box | 12 | |

BLF 5.08HC/270 SN


Just as reliable as the millionfold proven original and featuring innovative details:

The BLF 5.08HC PUSH IN version of the BLZP 5.08HC female connector is not only different in terms of connection system; it also has a more compact design. Weidmüller's innovative PUSH IN spring connection system stands for the future of easy and tool-free wire connection. HC = High Current.

In terms of versatility, the BLF 5.08HC offers just as much as the version which served as a model:

- 3 tested-and-proven wire outlet directions provide the usual flexibility for application-specific design
- 4 flange variations and the patented release latch allow the locking concept to be based on the requirements of the user
- Use the BLF 5.08HC and SL 5.08HC plug combination to reach the max. rated specifications

General ordering data

| Type | BLF 5.08HC/13/270 SN OR ... | Version | Product data | Packaging |
|------------|-----------------------------|---|---|-----------|
| Order No. | 1982810000 | PCB plug-in connector, female plug, 5.08 mm, Number of poles: 13, | IEC: 400 V / 24 A / 0.2 - 2.5 mm ² | Box |
| GTIN (EAN) | 4032248686902 | 270°, PUSH IN, Spring connection, Clamping range, max. : 3.31 mm ² , | UL: 300 V / 18.5 A / AWG 26 - AWG | |
| Qty. | 24 pc(s). | Box | 12 | |

**OMNIMATE Signal - series BL/SL 5.08
SL 5.08HC/13/180G 3.2SN BK BX**

Weidmüller Interface GmbH & Co. KG
Klingenbergstraße 26
D-32758 Detmold
Germany
Fon: +49 5231 14-0
Fax: +49 5231 14-292083
www.weidmueller.com

Mating connector (fully pluggable)

| Type | BLF 5.08HC/13/270 SN BK ... | Version | Product data | Packaging |
|------------|-----------------------------|---|---|-----------|
| Order No. | 1982040000 | PCB plug-in connector, female plug, 5.08 mm, Number of poles: 13, | IEC: 400 V / 24 A / 0.2 - 2.5 mm ² | Box |
| GTIN (EAN) | 4032248685738 | 270°, PUSH IN, Spring connection, Clamping range, max. : 3.31 mm ² , | UL: 300 V / 18.5 A / AWG 26 - AWG | |
| Qty. | 24 pc(s). | Box | 12 | |

BLZP 5.08HC/225B SN


Clamping-yoke connection with right-angled (90° or 270°) or angled (225°) outlet direction. The female connectors provide space for labelling and can be coded. Fastened by means of a flange or release latch. They also provide an integrated plus/minus screw, protection against faulty insertion of the wire, and they are delivered with open clamping yokes. HC = High Current.

General ordering data

| Type | BLZP 5.08HC/13/225B SN ... | Version | Product data | Packaging |
|------------|----------------------------|--|---|-----------|
| Order No. | 1945860000 | PCB plug-in connector, female plug, 5.08 mm, Number of poles: 13, | IEC: 400 V / 17.5 A / 0.2 - 4 mm ² | Box |
| GTIN (EAN) | 4032248621385 | 225°, Clamping yoke connection, Clamping range, max. : 4 mm ² , Box | UL: 300 V / 15 A / AWG 26 - AWG 12 | |
| Qty. | 24 pc(s). | | | |
| Type | BLZP 5.08HC/13/225B SN ... | Version | Product data | Packaging |
| Order No. | 1946090000 | PCB plug-in connector, female plug, 5.08 mm, Number of poles: 13, | IEC: 400 V / 17.5 A / 0.2 - 4 mm ² | Box |
| GTIN (EAN) | 4032248621644 | 225°, Clamping yoke connection, Clamping range, max. : 4 mm ² , Box | UL: 300 V / 15 A / AWG 26 - AWG 12 | |
| Qty. | 24 pc(s). | | | |

BLL 5.08/180


Female header for PCB mounting. The solder pin length is optimised for wave flow soldering.

General ordering data

| Type | BLL 5.08/13/180 3.2 SN ... | Version | Product data | Packaging |
|------------|----------------------------|---|-------------------|-----------|
| Order No. | 1648900000 | PCB plug-in connector, female header, closed side, THT solder | IEC: 400 V / 23 A | Box |
| GTIN (EAN) | 4008190293383 | connection, 5.08 mm, Number of poles: 13, 180°, Solder pin length | UL: 300 V / 15 A | |
| Qty. | 24 pc(s). | (l): 3.2 mm, tinned, orange, Box | | |

**OMNIMATE Signal - series BL/SL 5.08
SL 5.08HC/13/180G 3.2SN BK BX**

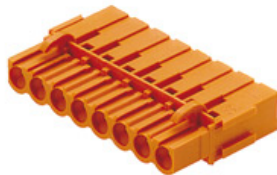
Weidmüller Interface GmbH & Co. KG
Klingenbergstraße 26
D-32758 Detmold
Germany
Fon: +49 5231 14-0
Fax: +49 5231 14-292083
www.weidmueller.com

Mating connector (fully pluggable)
BLL 5.08/90


Female header for PCB mounting. The solder pin length is optimised for wave flow soldering.

General ordering data

| Type | BLL 5.08/13/90 3.2 SN O ... | Version | Product data | Packaging |
|------------|-----------------------------|---|---------------------------------------|-----------|
| Order No. | 1648420000 | PCB plug-in connector, female header, closed side, THT solder connection, 5.08 mm, Number of poles: 13, 90°, Solder pin length (l): 3.2 mm, tinned, orange, Box | IEC: 400 V / 23 A UL: 300 V / 15 A | Box |
| GTIN (EAN) | 4008190292898 | | | |
| Qty. | 24 pc(s). | | | |

BLC 5.08BR


Female plugs with crimp wire connection system. The female plugs provide space for labelling and can be coded.

General ordering data

| Type | BLC 5.08/13/180BR BK BX | Version | Product data | Packaging |
|------------|----------------------------|---|---|-----------|
| Order No. | 1712220000 | PCB plug-in connector, female plug, 5.08 mm, Number of poles: 13, 180°, Crimp connection, Clamping range, max. : 2.5 mm², Box | IEC: 400 V / 21 A UL: 300 V / 10 A / AWG 26 - AWG 14 | Box |
| GTIN (EAN) | 4008190935238 | | | |
| Qty. | 50 pc(s). | | | |
| Type | BLC 5.08/13/180BR OR BX | Version | Product data | Packaging |
| Order No. | 1649480000 | PCB plug-in connector, female plug, 5.08 mm, Number of poles: 13, 180°, Crimp connection, Clamping range, max. : 2.5 mm², Box | IEC: 400 V / 21 A UL: 300 V / 10 A / AWG 26 - AWG 14 | Box |
| GTIN (EAN) | 4008190294595 | | | |
| Qty. | 50 pc(s). | | | |

**OMNIMATE Signal - series BL/SL 5.08
SL 5.08HC/13/180G 3.2SN BK BX**

Weidmüller Interface GmbH & Co. KG
Klingenbergstraße 26
D-32758 Detmold
Germany
Fon: +49 5231 14-0
Fax: +49 5231 14-292083
www.weidmueller.com

Mating connector (fully pluggable)

BLL 5.08/180B



Female header for PCB mounting. The solder pin length is optimised for wave flow soldering.

General ordering data

| Type | BLL 5.08/13/180B 3.2SN ... | Version | Product data | Packaging |
|------------|----------------------------|--|-------------------|-----------|
| Order No. | 1682840000 | PCB plug-in connector, female header, Dovetails for fixing blocks, THT | IEC: 400 V / 23 A | Box |
| GTIN (EAN) | 4008190474607 | solder connection, 5.08 mm, Number of poles: 13, 180°, Solder pin | UL: 300 V / 15 A | |
| Qty. | 24 pc(s). | length (l): 3.2 mm, tinned, orange, Box | | |

Recommended wave soldering profiles

Weidmüller Interface GmbH & Co. KG
 Klängenbergstraße 16
 D-32758 Detmold
 Germany
 Fon: +49 5231 14-0
 Fax: +49 5231 14-292083
 www.weidmueller.com

Single Wave:



Double Wave:



Wave soldering profiles

Wired connection elements should be processed in accordance with the DIN EN 61760-1 standard. We have included two recommendations for practical wave soldering profiles, with which Weidmüller PCB terminals and connectors are qualified.

When choosing a suitable profile for your application, the following factors also need to be considered:

- PCB thickness
- Proportion of Cu in the layers
- Single/double-sided assembly
- Product range
- Heating and cooling rates

The single and double wave profiles each indicate the recommended operating range, including the maximum soldering temperature of 260°C. In practice, the maximum soldering temperature is quite often well below the above maximum profile.