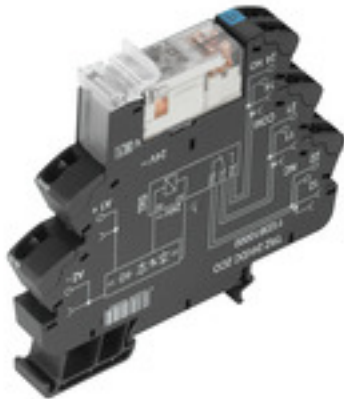


**TERMSERIES**  
**TRZ 5VDC 2CO**

**Weidmüller Interface GmbH & Co. KG**  
 Klingenbergstraße 26  
 D-32758 Detmold  
 Germany  
 Fon: +49 5231 14-0  
 Fax: +49 5231 14-292083  
 www.weidmueller.com

**Product image**


Similar to illustration

TERMSERIES relay module, complete modules consisting of

a relay and a base with AC/DC/UC coils, available in different versions:

- With screw and tension-clamp connection
- AgNi contact, optionally with hard gold-plated contacts
- 1 and 2 COs
- Optionally with multiple-voltage input: 24...230 V UC
- With various protective circuits in the input (free-wheel diode, RC element)
- Illuminated ejection lever

**General ordering data**

|            |   |
|------------|---|
| Type       | TRZ 5VDC 2CO  |
| Order No.  | <a href="#">1123590000</a>  |
| Version    | TERMSERIES, Relay module, Number of contacts: 2 CO contact AgNi, Rated control voltage: 5 V DC $\pm 20\%$ , Continuous current: 8 A, Tension-clamp connection |
| GTIN (EAN) | 4032248905447   |
| Qty.       | 10 pc(s).   |

Creation date May 1, 2020 9:44:46 PM CEST

Catalogue status 17.04.2020 / We reserve the right to make technical changes.

**TERMSERIES**  
**TRZ 5VDC 2CO**

**Weidmüller Interface GmbH & Co. KG**  
 Klingenbergstraße 26  
 D-32758 Detmold  
 Germany  
 Fon: +49 5231 14-0  
 Fax: +49 5231 14-292083  
 www.weidmueller.com

**Technical data****Dimensions and weights**

|            |         |                 |            |
|------------|---------|-----------------|------------|
| Width      | 12.8 mm | Width (inches)  | 0.504 inch |
| Height     | 90.5 mm | Height (inches) | 3.563 inch |
| Depth      | 87.8 mm | Depth (inches)  | 3.457 inch |
| Net weight | 55.2 g  |                 |            |

**Temperatures**

|                             |  |                             |                |
|-----------------------------|--|-----------------------------|----------------|
| Humidity                    | 5-95% relative humidity,<br>T <sub>u</sub> = 40°C, without<br>condensation | Operating temperature, max. | 60 °C          |
| Operating temperature, min. | -40 °C   | Storage temperature, max.   | 85 °C          |
| Storage temperature, min.   | -40 °C   | Operating temperature       | -40 °C...60 °C |
| Storage temperature         | -40 °C...85 °C   |                             |                |

**Environmental Product Compliance**

|            |                |
|------------|----------------|
| REACH SVHC | Lead 7439-92-1 |
|------------|----------------|

**Rated data UL**

|   |        |                                    |  |
|---|--------|------------------------------------|--|
| Ambient temperature (operational), max. 60 °C |        | Connection cross-section AWG, min. | AWG 26   |
| Connection cross-section AWG, max.            | AWG 14 | Type of conductor                  | rigid copper conductor,<br>flexible copper conductor |
| Pollution severity level                      | 2      | Altitude                           | ≤ 2000 m, above sea level                            |

**Input**

|                                       |   |   |                |
|---------------------------------------|---|---|----------------|
| Rated control voltage                 | 5 V DC ± 20 %                                       | Rated current DC  | 70 mA          |
| Power rating                          | 400 mW  | Pull-in/drop-out voltage, typ.  | 3 V / 1.6 V DC |
| Pull-in/drop-out current, typ.        | 21.6 mA / 8 mA DC                                   | Status indicator  | Green LED      |
| Protective circuit                    | Free-wheeling diode,<br>Reverse polarity protection | Coil voltage of the replacement relay<br>deviating from the rated control voltage | No             |
| Coil voltage of the replacement relay | 5 V DC  |   |                |

**Output**

|   |              |   |  |
|---|--------------|---|--|
| Rated switching voltage                 | 250 V AC     | Max. switching voltage, AC              | 250 V                                      |
| Max. switching voltage, DC              | 250 V        | Continuous current                      | 8 A  |
| Inrush current                          | 15 A / 4 s   | AC switching capacity (resistive), max. | 2000 VA                                    |
| DC switching capacity (resistive), max. | 192 W @ 24 V | Switch-on delay                         | ≤ 11 ms                                    |
| Switch-off delay                        | ≤ 7 ms       | Min. switching power                    | 1 mA @ 24 V, 10 mA @ 10 V,<br>100 mA @ 5 V |
| Max. switching frequency at rated load  | 0.1 Hz       |   |  |

**Contact data**

|              |                     |                         |                                       |
|--------------|---------------------|-------------------------|---------------------------------------|
| Contact type | 2 CO contact (AgNi) | Mechanical service life | 30 x 10 <sup>6</sup> switching cycles |
|--------------|---------------------|-------------------------|---------------------------------------|

**General data**

|                                      |       |             |       |
|--------------------------------------|-------|-------------|-------|
| Rail                                 | TS 35 | Test button | No    |
| Mechanical switch position indicator | No    | Colour      | black |

# Data sheet

## TERMSERIES TRZ 5VDC 2CO

**Weidmüller Interface GmbH & Co. KG**  
 Klingenbergstraße 26  
 D-32758 Detmold  
 Germany  
 Fon: +49 5231 14-0  
 Fax: +49 5231 14-292083  
 www.weidmueller.com

## Technical data

### Insulation coordination

|  |                              |  |                             |
|--|------------------------------|--|-----------------------------|
| Rated voltage                                | 300 V                        | Surge voltage category                         | III                         |
| Pollution severity                           | 2                            | Protection degree                              | IP20                        |
| Dielectric strength, Input/Output            | 1.2 kV <sub>eff</sub> / 5 s  | Creepage and clearance distance input – output | ≥ 5.5 mm                    |
| Dielectric strength of neighbouring contacts | 2.5 kV <sub>eff</sub>        | Dielectric strength of open contact            | 1 kV <sub>eff</sub> / 1 min |
| Dielectric strength to mounting rail         | 4 kV <sub>eff</sub> / 1 Min. | Impulse withstand voltage                      | 6 kV (1.2/50 µs)            |

### Further details of approvals / standards

|                         |  |                         |            |
|-------------------------|--|-------------------------|------------|
| Standards               | EN 50178, EN 55011, EN 61000-6-1, 2, 4 | Certificate No. (DNVGL) | TAA00001E5 |
| Certificate no. (cULus) | E141197                                |                         |            |

### Connection data

|   |                          |   |                      |
|---|--------------------------|---|----------------------|
| Wire connection method  | Tension-clamp connection | Stripping length, rated connection  | 8 mm                 |
| Clamping range, rated connection  | 1.5 mm <sup>2</sup>      | Clamping range, min.  | 0.14 mm <sup>2</sup> |
| Clamping range, max.  | 2.5 mm <sup>2</sup>      | Wire connection cross section AWG, min.   | AWG 26               |
| Wire connection cross section AWG, max.   | AWG 14                   | Wire cross-section, solid, min.   | 0.14 mm <sup>2</sup> |
| Wire cross-section, solid, max.   | 2.5 mm <sup>2</sup>      | Wire connection cross-section, finely stranded, min.                                    | 0.14 mm <sup>2</sup> |
| Wire connection cross section, finely stranded, max.                                    | 2.5 mm <sup>2</sup>      | Wire cross-section, finely stranded, min. (AWG)   | AWG 26               |
| Wire cross-section, finely stranded, max. (AWG)   | AWG 14                   | Wire connection cross-section, finely stranded with wire-end ferrules DIN 46228/4, min. | 0.14 mm <sup>2</sup> |
| Wire connection cross-section, finely stranded with wire-end ferrules DIN 46228/4, max. | 1.5 mm <sup>2</sup>      | Conductor cross-section, flexible, AEH (DIN 46228-1), min.                              | 0.14 mm <sup>2</sup> |
| Conductor cross-section, flexible, AEH (DIN 46228-1), max.                              | 1.5 mm <sup>2</sup>      | Twin wire-end ferrules, min.  | 0.5 mm <sup>2</sup>  |
| Twin wire-end ferrules, max.  | 1 mm <sup>2</sup>        | Blade size  | 0.6 x 3.5 mm         |
| Gauge to IEC 60947-1  | A1, B1                   |   |                      |

### Classifications

|             |             |            |             |
|-------------|-------------|------------|-------------|
| ETIM 6.0    | EC001437    | ETIM 7.0   | EC001437    |
| eClass 9.0  | 27-37-16-01 | eClass 9.1 | 27-37-16-01 |
| eClass 10.0 | 27-37-16-01 |            |             |

### Approvals

Approvals



ROHS

Conform

**Data sheet****TERMSERIES  
TRZ 5VDC 2CO****Weidmüller Interface GmbH & Co. KG**  
Klingenbergstraße 26  
D-32758 Detmold  
Germany  
Fon: +49 5231 14-0  
Fax: +49 5231 14-292083  
www.weidmueller.com**Technical data****Downloads**

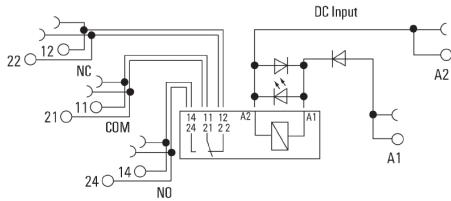
|   |   |
|---|---|
| Approval/Certificate/Document of Conformity | <a href="#">EU Konformitätserklärung / EU Declaration of Conformity</a> |
| Brochure/Catalogue                          | <a href="#">CAT 4.2 ELECTR 18/19 EN</a>                                 |
| Engineering Data                            | <a href="#">EPLAN, WSCAD, Zuken E3.S</a>                                |
| Engineering Data                            | <a href="#">STEP</a>  |
| User Documentation                          | <a href="#">Beipackzettel / Package Insert – multilingual</a>           |

**TERMSERIES  
TRZ 5VDC 2CO**

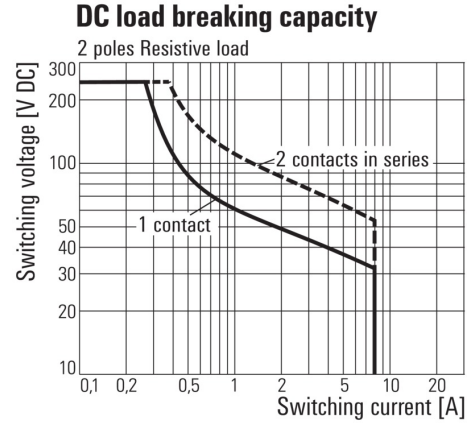
**Weidmüller Interface GmbH & Co. KG**  
 Klingenbergstraße 26  
 D-32758 Detmold  
 Germany  
 Fon: +49 5231 14-0  
 Fax: +49 5231 14-292083  
 www.weidmueller.com

**Drawings**

**Wiring diagram**

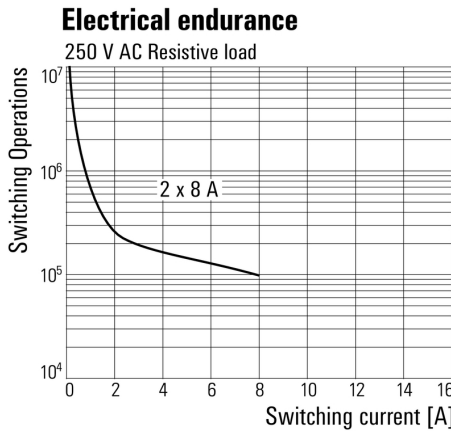


**Graph**



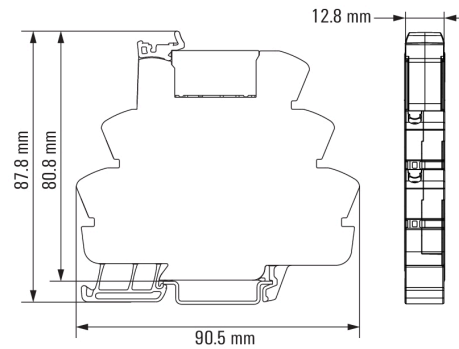
DC load limit curve  
 Resistive load

**Graph**



Electrical service life  
 230 V AC resistive load  
 230 V AC resistive load

**Dimensional drawing**



## TERMSERIES TRZ 5VDC 2CO

**Weidmüller Interface GmbH & Co. KG**  
 Klingenbergstraße 26  
 D-32758 Detmold  
 Germany  
 Fon: +49 5231 14-0  
 Fax: +49 5231 14-292083  
 www.weidmueller.com

# Accessories

## Supply module



TERMSERIES accessories include:

- Spare relay
- Base
- Partition plates
- Cross-connections
- Power-feed modules

## General ordering data

|            |                            |  |
|------------|----------------------------|--|
| Type       | TXZ SUPPLY                 | Version  |
| Order No.  | <a href="#">1240790000</a> | TERMSERIES, Supply module, Number of contacts: 5, Continuous current: 10 A, Tension-clamp connection |
| GTIN (EAN) | 4050118028164              |  |
| Qty.       | 10 pc(s).                  |  |
| Type       | TXS SUPPLY                 | Version  |
| Order No.  | <a href="#">1240780000</a> | TERMSERIES, Supply module, Number of contacts: 5, Continuous current: 10 A, Screw connection         |
| GTIN (EAN) | 4050118028140              |  |
| Qty.       | 10 pc(s).                  |  |
| Type       | TXP SUPPLY                 | Version  |
| Order No.  | <a href="#">2618940000</a> | TERMSERIES, Supply module, Number of contacts: 5, Continuous current: 10 A, PUSH IN with actuator    |
| GTIN (EAN) | 4050118667592              |  |
| Qty.       | 10 pc(s).                  |  |

## Blank



WS markers are the perfect match for the W-series connectors. Thanks to their system compatibility, the WS tags can also be used with the I-series and the Z-series. The large marking surfaces do not only permit long character strings but also multi-line text. WS markers are ideal for labels with long, customised character strings. Thanks to the proven MultiCard format, printing with laser printer, PrintJet ADVANCED, plotter or MC-Mobilo is possible.

- Can be fitted in strips or individually
- Markers in proven MultiCard format

**For custom printing:** Please send us a file of our labeling software M-Print PRO or M-Print PRO Online (without installation) for your labeling specifications.

## General ordering data

|            |                            |   |
|------------|----------------------------|---|
| Type       | WS 10/12 MC NE WS          | Version   |
| Order No.  | <a href="#">1905970000</a> | WS, Terminal marker, 10 x 12 mm, Pitch in mm (P): 12.00 |
| GTIN (EAN) | 4032248528127              | Weidmueller, white                                      |
| Qty.       | 300 pc(s).                 |   |

## TERMSERIES TRZ 5VDC 2CO

**Weidmüller Interface GmbH & Co. KG**  
 Klingenbergstraße 26  
 D-32758 Detmold  
 Germany  
 Fon: +49 5231 14-0  
 Fax: +49 5231 14-292083  
 www.weidmueller.com

# Accessories

### Slotted screwdriver



VDE insulated screwdriver sets, for working on live parts up to 1000 V AC and 1500 V DC, DIN EN 60900. IEC 900. Each piece is "GS" safety tested. Blade made from fully hardened, high-alloy chromium-vanadium-molybdenum steel, gun-metal finish.

#### General ordering data

| Type       | SDIS SL 0.6X3.5X100        | Version   |
|------------|----------------------------|---|
| Order No.  | <a href="#">1274660000</a> | Mounting tool, Blade width (B): 3.5 mm, Blade length: 100 mm, Blade |
| GTIN (EAN) | 4050118072631              | thickness (A): 0.6 mm   |
| Qty.       | 1 pc(s).                   |   |

### Slotted screwdriver



Slotted screwdriver with rounded blade SD DIN 5265, ISO 2380/2, output to DIN 5264, ISO 2380/1. ChromTop tip, SoftFinish grip

#### General ordering data

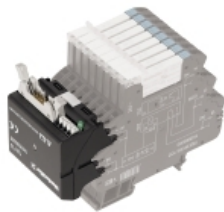
| Type       | SDS 0.6X3.5X100            | Version   |
|------------|----------------------------|---|
| Order No.  | <a href="#">9008330000</a> | Screwdriver, Blade width (B): 3.5 mm, Blade length: 100 mm, Blade |
| GTIN (EAN) | 4032248056286              | thickness (A): 0.6 mm   |
| Qty.       | 1 pc(s).                   |   |
| Type       | SD TO 0,6X3,0              | Version   |
| Order No.  | <a href="#">1323880000</a> | Screwdriver, Blade width (B): 3 mm, Blade length: 70 mm, Blade    |
| GTIN (EAN) | 4050118127133              | thickness (A): 0.6 mm   |
| Qty.       | 1 pc(s).                   |   |

## TERMSERIES TRZ 5VDC 2CO

**Weidmüller Interface GmbH & Co. KG**  
 Klingenbergstraße 26  
 D-32758 Detmold  
 Germany  
 Fon: +49 5231 14-0  
 Fax: +49 5231 14-292083  
 www.weidmueller.com

# Accessories

## Adapters



Extensive wiring efforts lead to high throughput times in electrical cabinet building. Thanks to our TERMSERIES interface adapter, you benefit from the speed of our plug-and-play solution.

To reduce wiring times, pre-assembled cables are used between the control system and the interface level, and are simply connected to the TERMSERIES adapter. This enables throughput times in electrical cabinet building to be significantly reduced.

Our pre-assembled plug-and-play solution with TERMSERIES interface adapter enables minimised wiring effort. The adapter has a universal fit and offers a genuine space advantage in interaction with the TERMSERIES products with identical contours.

Thanks to its symmetrical structure, the adapter can be connected to both TERMSERIES coil and contact connections. The use of positive- and negative-switching logic is also possible for the lower level thanks to the potential changeover switch.

### General ordering data

| Type       | TIAL F10                   | Version   |
|------------|----------------------------|---|
| Order No.  | <a href="#">1463540000</a> | TERMSERIES, Adapter, 10-pole plug according to DIN EN 60603-13,         |
| GTIN (EAN) | 4050118323559              | long locking lever, Number of signal paths: 8, Rated voltage : 24 V DC, |
| Qty.       | 1 pc(s).                   | Rated current (per signal path): 125 mA                                 |

## Blank



WS markers are the perfect match for the W-series connectors. Thanks to their system compatibility, the WS tags can also be used with the I-series and the Z-series. The large marking surfaces do not only permit long character strings but also multi-line text.

WS markers are ideal for labels with long, customised character strings. Thanks to the proven MultiCard format, printing with laser printer, PrintJet ADVANCED, plotter or MC-Mobilo is possible.

- Can be fitted in strips or individually
- Markers in proven MultiCard format

**For custom printing:** Please send us a file of our labeling software M-Print PRO or M-Print PRO Online (without installation) for your labeling specifications.

### General ordering data

| Type       | WS 10/6 M MC NE WS         | Version  |
|------------|----------------------------|--|
| Order No.  | <a href="#">1818400000</a> | WS, Terminal marker, 10 x 6 mm, Pitch in mm (P): 6.00 Weidmueller, |
| GTIN (EAN) | 4032248310876              | Allen-Bradley, white   |
| Qty.       | 600 pc(s).                 |  |



## TERMSERIES TRZ 5VDC 2CO

**Weidmüller Interface GmbH & Co. KG**  
 Klingenbergstraße 26  
 D-32758 Detmold  
 Germany  
 Fon: +49 5231 14-0  
 Fax: +49 5231 14-292083  
 www.weidmueller.com

# Accessories

### Cross-connector



TERMSERIES accessories include:

- Spare relay
- Base
- Partition plates
- Cross-connections
- Power-feed modules

### General ordering data

|            |                            |                             |
|------------|----------------------------|-----------------------------|
| Type       | TCC 12.8/26 BL             | Version                     |
| Order No.  | <a href="#">2556460000</a> | TERMSERIES, Cross-connector |
| GTIN (EAN) | 4050118566970              |                             |
| Qty.       | 10 pc(s).                  |                             |
| Type       | TCC 6.4/2 BK               | Version                     |
| Order No.  | <a href="#">2556470000</a> | TERMSERIES, Cross-connector |
| GTIN (EAN) | 4050118566987              |                             |
| Qty.       | 10 pc(s).                  |                             |
| Type       | TCC 6.4/10 BK              | Version                     |
| Order No.  | <a href="#">2556480000</a> | TERMSERIES, Cross-connector |
| GTIN (EAN) | 4050118566994              |                             |
| Qty.       | 10 pc(s).                  |                             |
| Type       | TCC 6.4/51 RD              | Version                     |
| Order No.  | <a href="#">2556410000</a> | TERMSERIES, Cross-connector |
| GTIN (EAN) | 4050118566925              |                             |
| Qty.       | 10 pc(s).                  |                             |
| Type       | TCC 6.4/10 BL              | Version                     |
| Order No.  | <a href="#">2556440000</a> | TERMSERIES, Cross-connector |
| GTIN (EAN) | 4050118566956              |                             |
| Qty.       | 10 pc(s).                  |                             |
| Type       | ZQV 1.5N/R6.4/19 RT        | Version                     |
| Order No.  | <a href="#">1391610000</a> | TERMSERIES, Cross-connector |
| GTIN (EAN) | 4050118191783              |                             |
| Qty.       | 10 pc(s).                  |                             |
| Type       | TCC 6.4/2 BL               | Version                     |
| Order No.  | <a href="#">2556430000</a> | TERMSERIES, Cross-connector |
| GTIN (EAN) | 4050118566949              |                             |
| Qty.       | 10 pc(s).                  |                             |
| Type       | TCC 6.4/10 OR              | Version                     |
| Order No.  | <a href="#">2556360000</a> | TERMSERIES, Cross-connector |
| GTIN (EAN) | 4050118566673              |                             |
| Qty.       | 10 pc(s).                  |                             |
| Type       | TCC 12.8/26 RD             | Version                     |
| Order No.  | <a href="#">2556420000</a> | TERMSERIES, Cross-connector |
| GTIN (EAN) | 4050118566932              |                             |
| Qty.       | 10 pc(s).                  |                             |
| Type       | TCC 12.8/26 OR             | Version                     |
| Order No.  | <a href="#">2556380000</a> | TERMSERIES, Cross-connector |
| GTIN (EAN) | 4050118566697              |                             |
| Qty.       | 10 pc(s).                  |                             |

Creation date May 1, 2020 9:44:46 PM CEST

**TERMSERIES**  
**TRZ 5VDC 2CO**

**Weidmüller Interface GmbH & Co. KG**  
 Klingenbergstraße 26  
 D-32758 Detmold  
 Germany  
 Fon: +49 5231 14-0  
 Fax: +49 5231 14-292083  
 www.weidmueller.com

**Accessories**

|            |                            |                             |
|------------|----------------------------|-----------------------------|
| Type       | TCC 6.4/2 OR               | Version                     |
| Order No.  | <a href="#">2556350000</a> | TERMSERIES, Cross-connector |
| GTIN (EAN) | 4050118566826              |                             |
| Qty.       | 10 pc(s).                  |                             |
| Type       | ZQV 1.5N/R6.4/19 GE        | Version                     |
| Order No.  | <a href="#">1193690000</a> | TERMSERIES, Cross-connector |
| GTIN (EAN) | 4032248976645              |                             |
| Qty.       | 10 pc(s).                  |                             |
| Type       | TCC 6.4/51 BL              | Version                     |
| Order No.  | <a href="#">2556450000</a> | TERMSERIES, Cross-connector |
| GTIN (EAN) | 4050118566963              |                             |
| Qty.       | 10 pc(s).                  |                             |
| Type       | ZQV 1.5N/R6.4/2 RT         | Version                     |
| Order No.  | <a href="#">1446090000</a> | TERMSERIES, Cross-connector |
| GTIN (EAN) | 4050118250886              |                             |
| Qty.       | 10 pc(s).                  |                             |
| Type       | TCC 6.4/51 OR              | Version                     |
| Order No.  | <a href="#">2556370000</a> | TERMSERIES, Cross-connector |
| GTIN (EAN) | 4050118566680              |                             |
| Qty.       | 10 pc(s).                  |                             |
| Type       | ZQV 1.5N/R6.4/10 GE        | Version                     |
| Order No.  | <a href="#">1193680000</a> | TERMSERIES, Cross-connector |
| GTIN (EAN) | 4032248976454              |                             |
| Qty.       | 10 pc(s).                  |                             |
| Type       | TCC 6.4/2 RD               | Version                     |
| Order No.  | <a href="#">2556390000</a> | TERMSERIES, Cross-connector |
| GTIN (EAN) | 4050118566901              |                             |
| Qty.       | 10 pc(s).                  |                             |
| Type       | ZQV 1.5N/R6.4/2 SW         | Version                     |
| Order No.  | <a href="#">1446040000</a> | TERMSERIES, Cross-connector |
| GTIN (EAN) | 4050118251067              |                             |
| Qty.       | 10 pc(s).                  |                             |
| Type       | TCC 6.4/10 RD              | Version                     |
| Order No.  | <a href="#">2556400000</a> | TERMSERIES, Cross-connector |
| GTIN (EAN) | 4050118566918              |                             |
| Qty.       | 10 pc(s).                  |                             |
| Type       | ZQV 1.5N/R6.4/2 GE         | Version                     |
| Order No.  | <a href="#">1193670000</a> | TERMSERIES, Cross-connector |
| GTIN (EAN) | 4032248976638              |                             |
| Qty.       | 10 pc(s).                  |                             |
| Type       | ZQV 1.5N/R6.4/2 BL         | Version                     |
| Order No.  | <a href="#">1446140000</a> | TERMSERIES, Cross-connector |
| GTIN (EAN) | 4050118251074              |                             |
| Qty.       | 10 pc(s).                  |                             |
| Type       | TCC 12.8/26 BK             | Version                     |
| Order No.  | <a href="#">2556500000</a> | TERMSERIES, Cross-connector |
| GTIN (EAN) | 4050118567014              |                             |
| Qty.       | 10 pc(s).                  |                             |
| Type       | ZQV 1.5N/R6.4/10 SW        | Version                     |
| Order No.  | <a href="#">1391630000</a> | TERMSERIES, Cross-connector |
| GTIN (EAN) | 4050118191776              |                             |
| Qty.       | 10 pc(s).                  |                             |

Creation date May 1, 2020 9:44:46 PM CEST

**Data sheet**

**TERMSERIES  
TRZ 5VDC 2CO**

**Weidmüller Interface GmbH & Co. KG**  
 Klingenbergstraße 26  
 D-32758 Detmold  
 Germany  
 Fon: +49 5231 14-0  
 Fax: +49 5231 14-292083  
 www.weidmueller.com

**Accessories**

|            |                            |                             |
|------------|----------------------------|-----------------------------|
| Type       | TCC 6.4/51 BK              | Version                     |
| Order No.  | <a href="#">2556490000</a> | TERMSERIES, Cross-connector |
| GTIN (EAN) | 4050118567007              |                             |
| Qty.       | 10 pc(s).                  |                             |
| Type       | ZQV 1.5N/R6.4/19 BL        | Version                     |
| Order No.  | <a href="#">1391620000</a> | TERMSERIES, Cross-connector |
| GTIN (EAN) | 4050118191813              |                             |
| Qty.       | 10 pc(s).                  |                             |
| Type       | ZQV 1.5N/R6.4/10 BL        | Version                     |
| Order No.  | <a href="#">1390350000</a> | TERMSERIES, Cross-connector |
| GTIN (EAN) | 4050118190793              |                             |
| Qty.       | 10 pc(s).                  |                             |
| Type       | ZQV 1.5N/R6.4/10 RT        | Version                     |
| Order No.  | <a href="#">1391640000</a> | TERMSERIES, Cross-connector |
| GTIN (EAN) | 4050118191660              |                             |
| Qty.       | 10 pc(s).                  |                             |
| Type       | ZQV 1.5N/R6.4/19 SW        | Version                     |
| Order No.  | <a href="#">1391600000</a> | TERMSERIES, Cross-connector |
| GTIN (EAN) | 4050118191806              |                             |
| Qty.       | 10 pc(s).                  |                             |

**Partition plate**



TERMSERIES accessories include:

- Spare relay
- Base
- Partition plates
- Cross-connections
- Power-feed modules

**General ordering data**

|            |                            |                              |
|------------|----------------------------|------------------------------|
| Type       | TW TXS/TXZ R3.2            | Version                      |
| Order No.  | <a href="#">1240800000</a> | TERMSERIES, Seperation plate |
| GTIN (EAN) | 4050118028188              |                              |
| Qty.       | 10 pc(s).                  |                              |

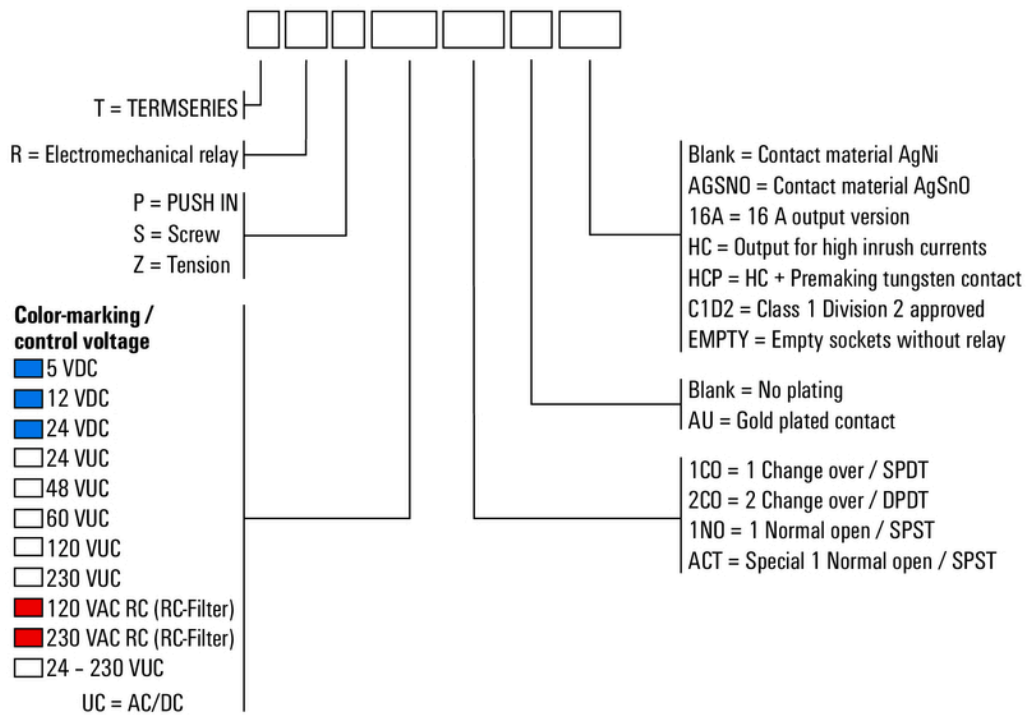
**TERMSERIES  
TRZ 5VDC 2CO**

**Weidmüller Interface GmbH & Co. KG**  
 Klingenbergstraße 26  
 D-32758 Detmold  
 Germany  
 Fon: +49 5231 14-0  
 Fax: +49 5231 14-292083  
 www.weidmueller.com

**Drawings**

**Miscellaneous**

**Type code TERMSERIES electromechanical relay versions**



Type codes