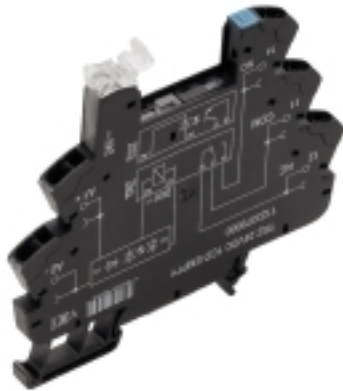


TERMSERIES TRZ 60VUC 1CO EMPTY

Weidmüller Interface GmbH & Co. KG
 Klingenbergstraße 26
 D-32758 Detmold
 Germany
 Fon: +49 5231 14-0
 Fax: +49 5231 14-292083
 www.weidmueller.com

Product image



Similar to illustration

TERMSERIES accessories include:

- Spare relay
- Base
- Partition plates
- Cross-connections
- Power-feed modules

General ordering data

| | |
|------------|--|
| Type | TRZ 60VUC 1CO EMPTY |
| Order No. | 1123400000 |
| Version | TERMSERIES, Relay bases, Number of contacts: 1 CO contact, Rated control voltage: 60 V UC ±10 %, Continuous current: 10 A, Tension-clamp connection |
| GTIN (EAN) | 4032248905546 |
| Qty. | 10 pc(s). |

Creation date May 1, 2020 9:38:46 PM CEST

Catalogue status 17.04.2020 / We reserve the right to make technical changes.

TERMSERIES
TRZ 60VUC 1CO EMPTY

Weidmüller Interface GmbH & Co. KG
 Klingenbergstraße 26
 D-32758 Detmold
 Germany
 Fon: +49 5231 14-0
 Fax: +49 5231 14-292083
 www.weidmueller.com

Technical data
Dimensions and weights

| | | | |
|------------|---------|-----------------|------------|
| Width | 6.4 mm | Width (inches) | 0.252 inch |
| Height | 90.5 mm | Height (inches) | 3.563 inch |
| Depth | 87.8 mm | Depth (inches) | 3.457 inch |
| Net weight | 23.6 g | | |

Temperatures

| | | | |
|-----------------------------|----------------|-----------------------------|----------------|
| Operating temperature, max. | 60 °C | Operating temperature, min. | -40 °C |
| Storage temperature, max. | 85 °C | Storage temperature, min. | -40 °C |
| Operating temperature | -40 °C...60 °C | Storage temperature | -40 °C...85 °C |

Environmental Product Compliance

| | |
|------------|----------------|
| REACH SVHC | Lead 7439-92-1 |
|------------|----------------|

Rated data UL

| | | | |
|------------------------------------|--|---|--------|
| Certificate No. (cURus) | E223759 | Ambient temperature (operational), max. | 60 °C |
| Connection cross-section AWG, min. | AWG 26 | Connection cross-section AWG, max. | AWG 14 |
| Type of conductor | rigid copper conductor, flexible copper conductor | Pollution severity level | 2 |
| Altitude | ≤ 2000 m, above sea level | | |

Input

| | | | |
|---------------------------------------|----------------|---|-----------|
| Rated control voltage | 60 V UC ± 10 % | Status indicator | Green LED |
| Protective circuit | Rectifier | Coil voltage of the replacement relay deviating from the rated control voltage | Yes |
| Coil voltage of the replacement relay | 60 V DC | | |

Output

| | | | |
|-------------------------|----------|--------------------|------|
| Rated switching voltage | 250 V AC | Continuous current | 10 A |
|-------------------------|----------|--------------------|------|

Contact data

| | |
|--------------|--------------|
| Contact type | 1 CO contact |
|--------------|--------------|

General data

| | | | |
|---------------------------|-------|--------|-------|
| Rail | TS 35 | Colour | black |
| UL 94 flammability rating | V-0 | | |

Insulation coordination

| | | | |
|--------------------------------------|------------------------------|---|------------------|
| Rated voltage | 300 V | Surge voltage category | III |
| Pollution severity | 2 | Protection degree | IP20 |
| Dielectric strength, Input/Output | 4 kV _{eff} / 1 Min. | Creepage and clearance distance input - output | ≥ 5.5 mm |
| Dielectric strength to mounting rail | 4 kV _{eff} / 1 Min. | Impulse withstand voltage | 6 kV (1.2/50 μs) |

Further details of approvals / standards

| | | | |
|-----------|--------------|-------------------------|---------|
| Standards | DIN EN 50178 | Certificate No. (cURus) | E223759 |
|-----------|--------------|-------------------------|---------|

Creation date May 1, 2020 9:38:46 PM CEST

TERMSERIES
TRZ 60VUC 1CO EMPTY

Weidmüller Interface GmbH & Co. KG
 Klingenbergstraße 26
 D-32758 Detmold
 Germany
 Fon: +49 5231 14-0
 Fax: +49 5231 14-292083
 www.weidmueller.com

Technical data**Connection data**

| | | | |
|---|--------------------------|---|----------------------|
| Wire connection method | Tension-clamp connection | Stripping length, rated connection | 8 mm |
| Clamping range, rated connection | 1.5 mm ² | Clamping range, min. | 0.14 mm ² |
| Clamping range, max. | 2.5 mm ² | Wire connection cross section AWG, min. | AWG 26 |
| Wire connection cross section AWG, max. | AWG 14 | Wire cross-section, solid, min. | 0.14 mm ² |
| Wire cross-section, solid, max. | 2.5 mm ² | Wire connection cross-section, finely stranded, min. | 0.14 mm ² |
| Wire connection cross section, finely stranded, max. | 2.5 mm ² | Wire cross-section, finely stranded, min. (AWG) | AWG 26 |
| Wire cross-section, finely stranded, max. (AWG) | AWG 14 | Wire connection cross-section, finely stranded with wire-end ferrules DIN 46228/4, min. | 0.14 mm ² |
| Wire connection cross-section, finely stranded with wire-end ferrules DIN 46228/4, max. | 1.5 mm ² | Conductor cross-section, flexible, AEH (DIN 46228-1), min. | 0.14 mm ² |
| Conductor cross-section, flexible, AEH (DIN 46228-1), max. | 1.5 mm ² | Twin wire-end ferrules, min. | 0.5 mm ² |
| Twin wire-end ferrules, max. | 1 mm ² | Blade size | 0.6 x 3.5 mm |
| Gauge to IEC 60947-1 | A1, B1 | | |

Classifications

| | | | |
|-------------|-------------|------------|-------------|
| ETIM 6.0 | EC001456 | ETIM 7.0 | EC001456 |
| eClass 9.0 | 27-37-16-03 | eClass 9.1 | 27-37-16-03 |
| eClass 10.0 | 27-37-16-03 | | |

Approvals

Approvals



ROHS Conform

Downloads

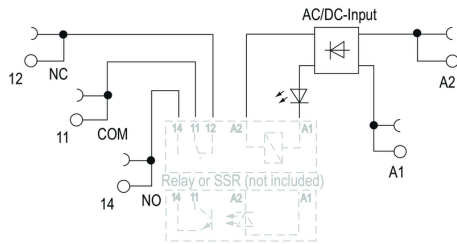
| | |
|---|---|
| Approval/Certificate/Document of Conformity | EU Konformitätserklärung / EU Declaration of Conformity |
| Brochure/Catalogue | CAT 4.2 ELECTR 18/19 EN |
| Engineering Data | EPLAN, WSCAD |
| Engineering Data | STEP |
| User Documentation | Beipackzettel / Package Insert – multilingual |

**TERMSERIES
TRZ 60VUC 1CO EMPTY**

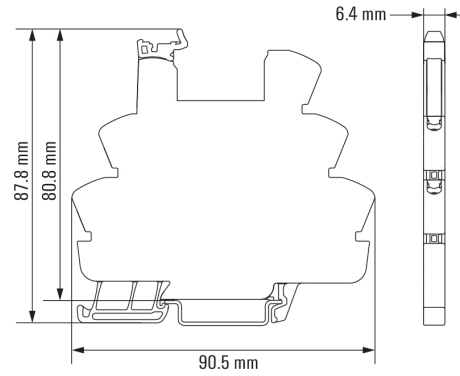
Weidmüller Interface GmbH & Co. KG
Klingenbergstraße 26
D-32758 Detmold
Germany
Fon: +49 5231 14-0
Fax: +49 5231 14-292083
www.weidmueller.com

Drawings

Wiring diagram



Dimensional drawing



TERMSERIES TRZ 60VUC 1CO EMPTY

Weidmüller Interface GmbH & Co. KG
 Klingenbergstraße 26
 D-32758 Detmold
 Germany
 Fon: +49 5231 14-0
 Fax: +49 5231 14-292083
 www.weidmueller.com

Mating connector (fully pluggable)

1 CO contact (AgNi)



TERMSERIES accessories include:

- Spare relay
- Base
- Partition plates
- Cross-connections
- Power-feed modules

General ordering data

| Type | RSS113060 | Version |
|------------|----------------------------|---|
| Order No. | 4061630000 | TERMSERIES, Relay, Number of contacts: 1 CO contact AgNi, Rated |
| GTIN (EAN) | 4032248252275 | control voltage: 60 V DC, Continuous current: 6 A, Plug-in connection |
| Qty. | 20 pc(s). | |

24 to 230 V AC 1 A output versions



TERMSERIES accessories include:

- Spare relay
- Base
- Partition plates
- Cross-connections
- Power-feed modules

General ordering data

| Type | SSS RELAIS 60V/230V 1AAC | Version |
|------------|----------------------------|---|
| Order No. | 4061220000 | TERMSERIES, solid-state relais, 1 NO contact (Triac (zero-cross |
| GTIN (EAN) | 4032248777624 | switch)), Rated control voltage: 52 V DC...60 V DC...72 V DC , Rated |
| Qty. | 20 pc(s). | switching voltage: 24...240 V AC, Continuous current: 1 A, Plug-in connection |

TERMSERIES TRZ 60VUC 1CO EMPTY

Weidmüller Interface GmbH & Co. KG
 Klingenbergstraße 26
 D-32758 Detmold
 Germany
 Fon: +49 5231 14-0
 Fax: +49 5231 14-292083
 www.weidmueller.com

Mating connector (fully pluggable)

1 CO contact / hard gold plated contacts (AgNi)



TERMSERIES accessories include:

- Spare relay
- Base
- Partition plates
- Cross-connections
- Power-feed modules

General ordering data

| Type | RSS112060 | Version |
|------------|---------------------------|---|
| Order No. | 406160000 | TERMSERIES, Relay, Number of contacts: 1 CO contact AgNi 5µm |
| GTIN (EAN) | 4032248252299 | Au, Rated control voltage: 60 V DC, Continuous current: 6 A, Plug-in connection |
| Qty. | 20 pc(s). | |

1 CO contact (AgSnO)



TERMSERIES accessories include:

- Spare relay
- Base
- Partition plates
- Cross-connections
- Power-feed modules

General ordering data

| Type | RSS110060 | Version |
|------------|----------------------------|--|
| Order No. | 1984120000 | TERMSERIES, Relay, Number of contacts: 1 CO contact AgSnO, Rated control voltage: 60 V DC, Continuous current: 6 A, Plug-in connection |
| GTIN (EAN) | 4050118377682 | |
| Qty. | 20 pc(s). | |

TERMSERIES TRZ 60VUC 1CO EMPTY

Weidmüller Interface GmbH & Co. KG
 Klingenbergstraße 26
 D-32758 Detmold
 Germany
 Fon: +49 5231 14-0
 Fax: +49 5231 14-292083
 www.weidmueller.com

Mating connector (fully pluggable)

3 to 33 V DC 2 A output versions



TERMSERIES accessories include:

- Spare relay
- Base
- Partition plates
- Cross-connections
- Power-feed modules

General ordering data

| Type | SSS RELAIS 60V/24V 2ADC | Version |
|------------|---------------------------|--|
| Order No. | 406120000 | TERMSERIES, solid-state relais, 1 NO contact (MOS-FET), Rated control |
| GTIN (EAN) | 4032248415090 | voltage: 52 V DC...60 V DC...72 V DC , Rated switching voltage: 3...33 |
| Qty. | 20 pc(s). | V DC, Continuous current: 2 A, Plug-in connection |

3 to 48 V DC 0.1 A output versions



TERMSERIES accessories include:

- Spare relay
- Base
- Partition plates
- Cross-connections
- Power-feed modules

General ordering data

| Type | SSS RELAIS 60V/24V 0,1A ... | Version |
|------------|-----------------------------|--|
| Order No. | 406123000 | TERMSERIES, solid-state relais, 1 NO contact (Bipolar transistor), |
| GTIN (EAN) | 4032248415106 | Rated control voltage: 52 V DC...60 V DC...72 V DC , Rated switching |
| Qty. | 20 pc(s). | voltage: 0...48 V DC, Continuous current: 100 mA, Plug-in connection |

TERMSERIES TRZ 60VUC 1CO EMPTY

Weidmüller Interface GmbH & Co. KG
 Klingenbergstraße 26
 D-32758 Detmold
 Germany
 Fon: +49 5231 14-0
 Fax: +49 5231 14-292083
 www.weidmueller.com

Accessories

Supply module



TERMSERIES accessories include:

- Spare relay
- Base
- Partition plates
- Cross-connections
- Power-feed modules

General ordering data

| | | |
|------------|----------------------------|--|
| Type | TXZ SUPPLY | Version |
| Order No. | 1240790000 | TERMSERIES, Supply module, Number of contacts: 5, Continuous |
| GTIN (EAN) | 4050118028164 | current: 10 A, Tension-clamp connection |
| Qty. | 10 pc(s). | |
| Type | TXS SUPPLY | Version |
| Order No. | 1240780000 | TERMSERIES, Supply module, Number of contacts: 5, Continuous |
| GTIN (EAN) | 4050118028140 | current: 10 A, Screw connection |
| Qty. | 10 pc(s). | |
| Type | TXP SUPPLY | Version |
| Order No. | 2618940000 | TERMSERIES, Supply module, Number of contacts: 5, Continuous |
| GTIN (EAN) | 4050118667592 | current: 10 A, PUSH IN with actuator |
| Qty. | 10 pc(s). | |

Slotted screwdriver



VDE insulated screwdriver sets, for working on live parts up to 1000 V AC and 1500 V DC, DIN EN 60900, IEC 900. Each piece is "GS" safety tested. Blade made from fully hardened, high-alloy chromium-vanadium-molybdenum steel, gun-metal finish.

General ordering data

| | | |
|------------|----------------------------|---|
| Type | SDIS SL 0.6X3.5X100 | Version |
| Order No. | 1274660000 | Mounting tool, Blade width (B): 3.5 mm, Blade length: 100 mm, Blade |
| GTIN (EAN) | 4050118072631 | thickness (A): 0.6 mm |
| Qty. | 1 pc(s). | |

**TERMSERIES
TRZ 60VUC 1CO EMPTY**

Weidmüller Interface GmbH & Co. KG
 Klingenbergstraße 26
 D-32758 Detmold
 Germany
 Fon: +49 5231 14-0
 Fax: +49 5231 14-292083
 www.weidmueller.com

Accessories

Slotted screwdriver

Slotted screwdriver with rounded blade SD DIN 5265, ISO 2380/2, output to DIN 5264, ISO 2380/1. ChromTop tip, SoftFinish grip



General ordering data

| | | |
|------------|----------------------------|---|
| Type | SDS 0.6X3.5X100 | Version |
| Order No. | 9008330000 | Screwdriver, Blade width (B): 3.5 mm, Blade length: 100 mm, Blade thickness (A): 0.6 mm |
| GTIN (EAN) | 4032248056286 | |
| Qty. | 1 pc(s). | |
| Type | SD TO 0,6X3,0 | Version |
| Order No. | 1323880000 | Screwdriver, Blade width (B): 3 mm, Blade length: 70 mm, Blade thickness (A): 0.6 mm |
| GTIN (EAN) | 4050118127133 | |
| Qty. | 1 pc(s). | |

Blank



WS markers are the perfect match for the W-series connectors. Thanks to their system compatibility, the WS tags can also be used with the I-series and the Z-series. The large marking surfaces do not only permit long character strings but also multi-line text. WS markers are ideal for labels with long, customised character strings. Thanks to the proven MultiCard format, printing with laser printer, PrintJet ADVANCED, plotter or MC-Mobilo is possible.

- Can be fitted in strips or individually
- Markers in proven MultiCard format

For custom printing: Please send us a file of our labeling software M-Print PRO or M-Print PRO Online (without installation) for your labeling specifications.

General ordering data

| | | |
|------------|----------------------------|---|
| Type | WS 10/6 M MC NE WS | Version |
| Order No. | 1818400000 | WS, Terminal marker, 10 x 6 mm, Pitch in mm (P): 6.00 Weidmueller, Allen-Bradley, white |
| GTIN (EAN) | 4032248310876 | |
| Qty. | 600 pc(s). | |

**TERMSERIES
TRZ 60VUC 1CO EMPTY**

Weidmüller Interface GmbH & Co. KG
 Klingenbergstraße 26
 D-32758 Detmold
 Germany
 Fon: +49 5231 14-0
 Fax: +49 5231 14-292083
 www.weidmueller.com

Accessories**Cross-connector**

TERMSERIES accessories include:

- Spare relay
- Base
- Partition plates
- Cross-connections
- Power-feed modules

General ordering data

| | | |
|------------|----------------------------|-----------------------------|
| Type | TCC 12.8/26 BL | Version |
| Order No. | 2556460000 | TERMSERIES, Cross-connector |
| GTIN (EAN) | 4050118566970 | |
| Qty. | 10 pc(s). | |
| Type | TCC 6.4/2 BK | Version |
| Order No. | 2556470000 | TERMSERIES, Cross-connector |
| GTIN (EAN) | 4050118566987 | |
| Qty. | 10 pc(s). | |
| Type | TCC 6.4/10 BK | Version |
| Order No. | 2556480000 | TERMSERIES, Cross-connector |
| GTIN (EAN) | 4050118566994 | |
| Qty. | 10 pc(s). | |
| Type | TCC 6.4/51 RD | Version |
| Order No. | 2556410000 | TERMSERIES, Cross-connector |
| GTIN (EAN) | 4050118566925 | |
| Qty. | 10 pc(s). | |
| Type | TCC 6.4/10 BL | Version |
| Order No. | 2556440000 | TERMSERIES, Cross-connector |
| GTIN (EAN) | 4050118566956 | |
| Qty. | 10 pc(s). | |
| Type | ZQV 1.5N/R6.4/19 RT | Version |
| Order No. | 1391610000 | TERMSERIES, Cross-connector |
| GTIN (EAN) | 4050118191783 | |
| Qty. | 10 pc(s). | |
| Type | TCC 6.4/2 BL | Version |
| Order No. | 2556430000 | TERMSERIES, Cross-connector |
| GTIN (EAN) | 4050118566949 | |
| Qty. | 10 pc(s). | |
| Type | TCC 6.4/10 OR | Version |
| Order No. | 2556360000 | TERMSERIES, Cross-connector |
| GTIN (EAN) | 4050118566673 | |
| Qty. | 10 pc(s). | |
| Type | TCC 12.8/26 RD | Version |
| Order No. | 2556420000 | TERMSERIES, Cross-connector |
| GTIN (EAN) | 4050118566932 | |
| Qty. | 10 pc(s). | |
| Type | TCC 12.8/26 OR | Version |
| Order No. | 2556380000 | TERMSERIES, Cross-connector |
| GTIN (EAN) | 4050118566697 | |
| Qty. | 10 pc(s). | |

Creation date May 1, 2020 9:38:46 PM CEST

TERMSERIES TRZ 60VUC 1CO EMPTY

Weidmüller Interface GmbH & Co. KG
Klingenbergstraße 26
D-32758 Detmold
Germany
Fon: +49 5231 14-0
Fax: +49 5231 14-292083
www.weidmueller.com

Accessories

| | | |
|------------|----------------------------|-----------------------------|
| Type | TCC 6.4/2 OR | Version |
| Order No. | 2556350000 | TERMSERIES, Cross-connector |
| GTIN (EAN) | 4050118566826 | |
| Qty. | 10 pc(s). | |
| Type | ZQV 1.5N/R6.4/19 GE | Version |
| Order No. | 1193690000 | TERMSERIES, Cross-connector |
| GTIN (EAN) | 4032248976645 | |
| Qty. | 10 pc(s). | |
| Type | TCC 6.4/51 BL | Version |
| Order No. | 2556450000 | TERMSERIES, Cross-connector |
| GTIN (EAN) | 4050118566963 | |
| Qty. | 10 pc(s). | |
| Type | ZQV 1.5N/R6.4/2 RT | Version |
| Order No. | 1446090000 | TERMSERIES, Cross-connector |
| GTIN (EAN) | 4050118250886 | |
| Qty. | 10 pc(s). | |
| Type | TCC 6.4/51 OR | Version |
| Order No. | 2556370000 | TERMSERIES, Cross-connector |
| GTIN (EAN) | 4050118566680 | |
| Qty. | 10 pc(s). | |
| Type | ZQV 1.5N/R6.4/10 GE | Version |
| Order No. | 1193680000 | TERMSERIES, Cross-connector |
| GTIN (EAN) | 4032248976454 | |
| Qty. | 10 pc(s). | |
| Type | TCC 6.4/2 RD | Version |
| Order No. | 2556390000 | TERMSERIES, Cross-connector |
| GTIN (EAN) | 4050118566901 | |
| Qty. | 10 pc(s). | |
| Type | ZQV 1.5N/R6.4/2 SW | Version |
| Order No. | 1446040000 | TERMSERIES, Cross-connector |
| GTIN (EAN) | 4050118251067 | |
| Qty. | 10 pc(s). | |
| Type | TCC 6.4/10 RD | Version |
| Order No. | 2556400000 | TERMSERIES, Cross-connector |
| GTIN (EAN) | 4050118566918 | |
| Qty. | 10 pc(s). | |
| Type | ZQV 1.5N/R6.4/2 GE | Version |
| Order No. | 1193670000 | TERMSERIES, Cross-connector |
| GTIN (EAN) | 4032248976638 | |
| Qty. | 10 pc(s). | |
| Type | ZQV 1.5N/R6.4/2 BL | Version |
| Order No. | 1446140000 | TERMSERIES, Cross-connector |
| GTIN (EAN) | 4050118251074 | |
| Qty. | 10 pc(s). | |
| Type | TCC 12.8/26 BK | Version |
| Order No. | 2556500000 | TERMSERIES, Cross-connector |
| GTIN (EAN) | 4050118567014 | |
| Qty. | 10 pc(s). | |
| Type | ZQV 1.5N/R6.4/10 SW | Version |
| Order No. | 1391630000 | TERMSERIES, Cross-connector |
| GTIN (EAN) | 4050118191776 | |
| Qty. | 10 pc(s). | |

Creation date May 1, 2020 9:38:46 PM CEST

TERMSERIES TRZ 60VUC 1CO EMPTY

Weidmüller Interface GmbH & Co. KG
 Klingenbergstraße 26
 D-32758 Detmold
 Germany
 Fon: +49 5231 14-0
 Fax: +49 5231 14-292083
 www.weidmueller.com

Accessories

| | | |
|------------|----------------------------|-----------------------------|
| Type | TCC 6.4/51 BK | Version |
| Order No. | 2556490000 | TERMSERIES, Cross-connector |
| GTIN (EAN) | 4050118567007 | |
| Qty. | 10 pc(s). | |
| Type | ZQV 1.5N/R6.4/19 BL | Version |
| Order No. | 1391620000 | TERMSERIES, Cross-connector |
| GTIN (EAN) | 4050118191813 | |
| Qty. | 10 pc(s). | |
| Type | ZQV 1.5N/R6.4/10 BL | Version |
| Order No. | 1390350000 | TERMSERIES, Cross-connector |
| GTIN (EAN) | 4050118190793 | |
| Qty. | 10 pc(s). | |
| Type | ZQV 1.5N/R6.4/10 RT | Version |
| Order No. | 1391640000 | TERMSERIES, Cross-connector |
| GTIN (EAN) | 4050118191660 | |
| Qty. | 10 pc(s). | |
| Type | ZQV 1.5N/R6.4/19 SW | Version |
| Order No. | 1391600000 | TERMSERIES, Cross-connector |
| GTIN (EAN) | 4050118191806 | |
| Qty. | 10 pc(s). | |

Partition plate



TERMSERIES accessories include:

- Spare relay
- Base
- Partition plates
- Cross-connections
- Power-feed modules

General ordering data

| | | |
|------------|----------------------------|------------------------------|
| Type | TW TXS/TXZ R3.2 | Version |
| Order No. | 1240800000 | TERMSERIES, Separation plate |
| GTIN (EAN) | 4050118028188 | |
| Qty. | 10 pc(s). | |

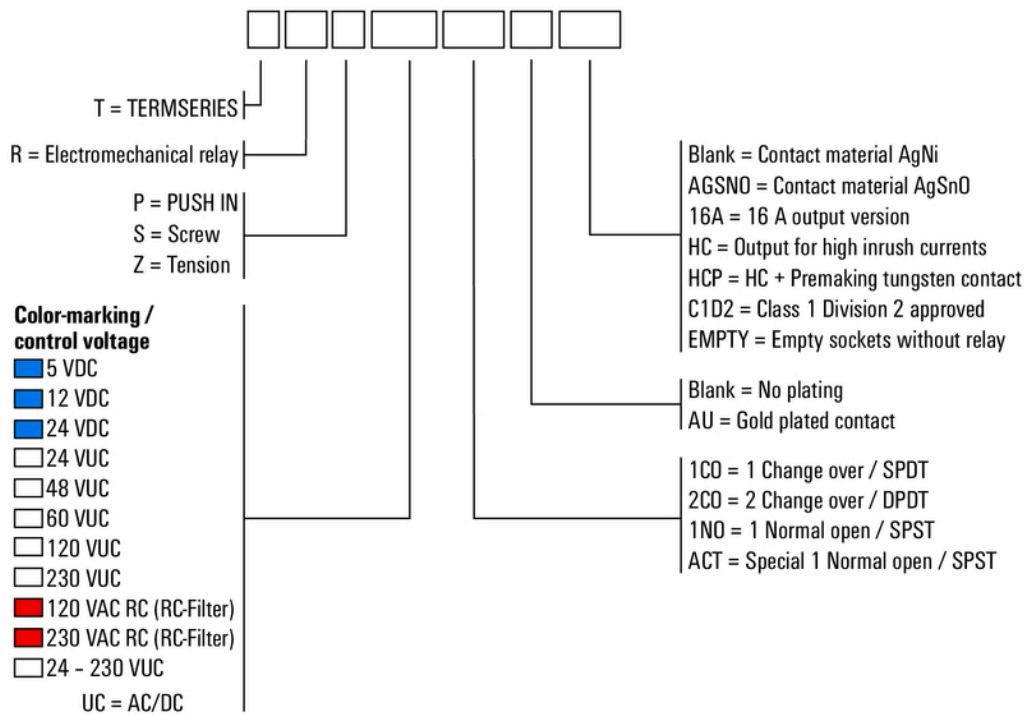
**TERMSERIES
TRZ 60VUC 1CO EMPTY**

Weidmüller Interface GmbH & Co. KG
 Klingenbergstraße 26
 D-32758 Detmold
 Germany
 Fon: +49 5231 14-0
 Fax: +49 5231 14-292083
 www.weidmueller.com

Drawings

Miscellaneous

Type code TERMSERIES electromechanical relay versions



Type codes