

## TERMSERIES TRS 60VUC 1CO AU

**Weidmüller Interface GmbH & Co. KG**  
 Klingenbergstraße 26  
 D-32758 Detmold  
 Germany  
 Fon: +49 5231 14-0  
 Fax: +49 5231 14-292083  
 www.weidmueller.com

### Product image



Similar to illustration

TERMSERIES relay module, complete modules consisting of

a relay and a base with AC/DC/UC coils, available in different versions:

- With screw and tension-clamp connection
- AgNi contact, optionally with hard gold-plated contacts
- 1 and 2 COs
- Optionally with multiple-voltage input: 24...230 V UC
- With various protective circuits in the input (free-wheel diode, RC element)
- Illuminated ejection lever

### General ordering data

|            |   |
|------------|---|
| Type       | TRS 60VUC 1CO AU  |
| Order No.  | <a href="#">1123030000</a>  |
| Version    | TERMSERIES, Relay module, Number of contacts: 1 CO contact AgNi 5µm Au, Rated control voltage: 60 V UC ±10 %, Continuous current: 6 A, Screw connection |
| GTIN (EAN) | 4032248905096   |
| Qty.       | 10 pc(s).   |

Creation date May 1, 2020 9:25:56 PM CEST

Catalogue status 17.04.2020 / We reserve the right to make technical changes.

**TERMSERIES**  
**TRS 60VUC 1CO AU**

**Weidmüller Interface GmbH & Co. KG**  
 Klingenbergstraße 26  
 D-32758 Detmold  
 Germany  
 Fon: +49 5231 14-0  
 Fax: +49 5231 14-292083  
 www.weidmueller.com

**Technical data****Dimensions and weights**

|            |         |                 |            |
|------------|---------|-----------------|------------|
| Width      | 6.4 mm  | Width (inches)  | 0.252 inch |
| Height     | 89.6 mm | Height (inches) | 3.528 inch |
| Depth      | 87.8 mm | Depth (inches)  | 3.457 inch |
| Net weight | 34 g    |                 |            |

**Temperatures**

|                             |  |                             |                |
|-----------------------------|--|-----------------------------|----------------|
| Humidity                    | 5-95% relative humidity,<br>T <sub>u</sub> = 40°C, without<br>condensation | Operating temperature, max. | 60 °C          |
| Operating temperature, min. | -40 °C   | Storage temperature, max.   | 85 °C          |
| Storage temperature, min.   | -40 °C   | Operating temperature       | -40 °C...60 °C |
| Storage temperature         | -40 °C...85 °C   |                             |                |

**Environmental Product Compliance**

|            |                |
|------------|----------------|
| REACH SVHC | Lead 7439-92-1 |
|------------|----------------|

**Rated data UL**

|   |                           |                                    |  |
|---|---------------------------|------------------------------------|--|
| Ambient temperature (operational), max. 60 °C |                           | Connection cross-section AWG, min. | AWG 26   |
| Connection cross-section AWG, max.            | AWG 14                    | Type of conductor                  | rigid copper conductor,<br>flexible copper conductor |
| Tightening torque, max.                       | 0.4 Nm                    | Pollution severity level           | 2  |
| Altitude                                      | ≤ 2000 m, above sea level |                                    |  |

**Input**

|   |                                  |                                       |  |
|---|----------------------------------|---------------------------------------|--|
| Rated control voltage   | 60 V UC ± 10 %                   | Rated current AC                      | 4,8 mA                                   |
| Rated current DC  | 2.8 mA                           | Power rating                          | 170 mW, 290 mVA                          |
| Pull-in/drop-out voltage, typ.  | 33 V / 8 V AC<br>41.5 V / 9 V DC | Pull-in/drop-out current, typ.        | 2.8 mA / 0.6 mA AC<br>1.8 mA / 0.3 mA DC |
| Status indicator  | Green LED                        | Protective circuit                    | Rectifier                                |
| Coil voltage of the replacement relay<br>deviating from the rated control voltage | Yes                              | Coil voltage of the replacement relay | 60 V DC                                  |

**Output**

|   |              |   |            |
|---|--------------|---|------------|
| Rated switching voltage                 | 250 V AC     | Max. switching voltage, AC              | 250 V      |
| Max. switching voltage, DC              | 250 V        | Continuous current                      | 6 A        |
| Inrush current                          | 20 A / 20 ms | AC switching capacity (resistive), max. | 1500 VA    |
| DC switching capacity (resistive), max. | 144 W @ 24 V | Switch-on delay                         | ≤ 7 ms     |
| Switch-off delay                        | ≤ 50 ms      | Min. switching power                    | 1 mA @ 1 V |
| Max. switching frequency at rated load  | 0.1 Hz       |   |            |

**Contact data**

|              |                               |                         |                                      |
|--------------|-------------------------------|-------------------------|--------------------------------------|
| Contact type | 1 CO contact (AgNi 5µm<br>Au) | Mechanical service life | 5 x 10 <sup>6</sup> switching cycles |
|--------------|-------------------------------|-------------------------|--------------------------------------|

**General data**

|                                      |       |             |       |
|--------------------------------------|-------|-------------|-------|
| Rail                                 | TS 35 | Test button | No    |
| Mechanical switch position indicator | No    | Colour      | black |
| UL 94 flammability rating            | V-0   |             |       |

Creation date May 1, 2020 9:25:56 PM CEST

Catalogue status 17.04.2020 / We reserve the right to make technical changes.

**TERMSERIES**  
**TRS 60VUC 1CO AU**

**Weidmüller Interface GmbH & Co. KG**  
 Klingenbergstraße 26  
 D-32758 Detmold  
 Germany  
 Fon: +49 5231 14-0  
 Fax: +49 5231 14-292083  
 www.weidmueller.com

**Technical data****Insulation coordination**

|                                     |                              |  |                              |
|-------------------------------------|------------------------------|--|------------------------------|
| Rated voltage                       | 300 V                        | Surge voltage category                         | III                          |
| Pollution severity                  | 2                            | Protection degree                              | IP20                         |
| Dielectric strength, Input/Output   | 4 kV <sub>eff</sub> / 1 Min. | Creepage and clearance distance input – output | ≥ 5.5 mm                     |
| Dielectric strength of open contact | 1 kV <sub>eff</sub> / 1 min  | Dielectric strength to mounting rail           | 4 kV <sub>eff</sub> / 1 Min. |
| Impulse withstand voltage           | 6 kV (1.2/50 µs)             |  |                              |

**Further details of approvals / standards**

|                         |  |                         |            |
|-------------------------|--|-------------------------|------------|
| Standards               | EN 50178, EN 55011, EN 61000-6-1, 2, 4 | Certificate No. (DNVGL) | TAA00001E5 |
| Certificate no. (cULus) | E141197                                |                         |            |

**Connection data**

|   |                      |   |                     |
|---|----------------------|---|---------------------|
| Wire connection method  | Screw connection     | Stripping length, rated connection  | 8 mm                |
| Tightening torque, max.   | 0.4 Nm               | Clamping range, rated connection  | 1.5 mm <sup>2</sup> |
| Clamping range, min.  | 0.14 mm <sup>2</sup> | Clamping range, max.  | 2.5 mm <sup>2</sup> |
| Wire connection cross section AWG, min.   | AWG 26               | Wire connection cross section AWG, max.   | AWG 14              |
| Wire cross-section, solid, min.   | 0.14 mm <sup>2</sup> | Wire cross-section, solid, max.   | 2.5 mm <sup>2</sup> |
| Wire connection cross-section, finely stranded, min.                                    | 0.14 mm <sup>2</sup> | Wire connection cross section, finely stranded, max.                                    | 2.5 mm <sup>2</sup> |
| Wire cross-section, finely stranded, min. (AWG)   | AWG 26               | Wire cross-section, finely stranded, max. (AWG)   | AWG 14              |
| Wire connection cross-section, finely stranded with wire-end ferrules DIN 46228/4, min. | 0.25 mm <sup>2</sup> | Wire connection cross-section, finely stranded with wire-end ferrules DIN 46228/4, max. | 2.5 mm <sup>2</sup> |
| Conductor cross-section, flexible, AEH (DIN 46228-1), min.                              | 0.25 mm <sup>2</sup> | Conductor cross-section, flexible, AEH (DIN 46228-1), max.                              | 2.5 mm <sup>2</sup> |
| Wire connection cross section, finely stranded, two clampable wires, min.               | 0.5 mm <sup>2</sup>  | Wire cross-section, finely stranded, two clampable wires, max.                          | 1 mm <sup>2</sup>   |
| Twin wire-end ferrules, min.  | 0.5 mm <sup>2</sup>  | Twin wire-end ferrules, max.  | 1 mm <sup>2</sup>   |
| Blade size  | size PHO             | Gauge to IEC 60947-1  | A1, B1              |

**Classifications**

|             |             |            |             |
|-------------|-------------|------------|-------------|
| ETIM 6.0    | EC001437    | ETIM 7.0   | EC001437    |
| eClass 9.0  | 27-37-16-01 | eClass 9.1 | 27-37-16-01 |
| eClass 10.0 | 27-37-16-01 |            |             |

**Approvals**

Approvals



ROHS

Conform

**Data sheet****TERMSERIES  
TRS 60VUC 1CO AU**

**Weidmüller Interface GmbH & Co. KG**  
Klingenbergstraße 26  
D-32758 Detmold  
Germany  
Fon: +49 5231 14-0  
Fax: +49 5231 14-292083  
www.weidmueller.com

**Technical data****Downloads**

|   |   |
|---|---|
| Approval/Certificate/Document of Conformity | <a href="#">EU Konformitätserklärung / EU Declaration of Conformity</a> |
| Brochure/Catalogue                          | <a href="#">CAT 4.2 ELECTR 18/19 EN</a>                                 |
| Engineering Data                            | <a href="#">EPLAN, WSCAD, Zuken E3.S</a>                                |
| Engineering Data                            | <a href="#">STEP</a>  |
| User Documentation                          | <a href="#">Beipackzettel / Package Insert – multilingual</a>           |

**TERMSERIES  
TRS 60VUC 1CO AU**

**Weidmüller Interface GmbH & Co. KG**  
 Klingenbergstraße 26  
 D-32758 Detmold  
 Germany  
 Fon: +49 5231 14-0  
 Fax: +49 5231 14-292083  
 www.weidmueller.com

**Drawings**

**Wiring diagram**



**Graph**



DC load limit curve

**Graph**



Electrical service life  
230 V AC resistive load

**Dimensional drawing**



**TERMSERIES  
TRS 60VUC 1CO AU**

**Weidmüller Interface GmbH & Co. KG**  
Klingenbergstraße 26  
D-32758 Detmold  
Germany  
Fon: +49 5231 14-0  
Fax: +49 5231 14-292083  
www.weidmueller.com

**Accessories**

**Supply module**



TERMSERIES accessories include:

- Spare relay
- Base
- Partition plates
- Cross-connections
- Power-feed modules

**General ordering data**

|            |                            |  |
|------------|----------------------------|--|
| Type       | TXZ SUPPLY                 | Version  |
| Order No.  | <a href="#">1240790000</a> | TERMSERIES, Supply module, Number of contacts: 5, Continuous current: 10 A, Tension-clamp connection |
| GTIN (EAN) | 4050118028164              |  |
| Qty.       | 10 pc(s).                  |  |
| Type       | TXS SUPPLY                 | Version  |
| Order No.  | <a href="#">1240780000</a> | TERMSERIES, Supply module, Number of contacts: 5, Continuous current: 10 A, Screw connection         |
| GTIN (EAN) | 4050118028140              |  |
| Qty.       | 10 pc(s).                  |  |
| Type       | TXP SUPPLY                 | Version  |
| Order No.  | <a href="#">2618940000</a> | TERMSERIES, Supply module, Number of contacts: 5, Continuous current: 10 A, PUSH IN with actuator    |
| GTIN (EAN) | 4050118667592              |  |
| Qty.       | 10 pc(s).                  |  |

**Crosshead screwdriver Phillips**

Crosshead screwdriver, Phillips, SDK PH DIN 5262, ISO 8764/2-PH, output to ISO 8764-PH, ChromTop tip, SoftFinish grip



**General ordering data**

|            |                            |   |
|------------|----------------------------|---|
| Type       | SDK PH0                    | Version   |
| Order No.  | <a href="#">9008470000</a> | Screwdriver, Blade width (B): 3 mm, Blade length: 60 mm |
| GTIN (EAN) | 4032248056460              |   |
| Qty.       | 1 pc(s).                   |   |

**TERMSERIES  
TRS 60VUC 1CO AU**

**Weidmüller Interface GmbH & Co. KG**  
 Klingenbergstraße 26  
 D-32758 Detmold  
 Germany  
 Fon: +49 5231 14-0  
 Fax: +49 5231 14-292083  
 www.weidmueller.com

**Accessories**

**Slotted screwdriver**



VDE insulated screwdriver sets, for working on live parts up to 1000 V AC and 1500 V DC, DIN EN 60900. IEC 900. Each piece is "GS" safety tested. Blade made from fully hardened, high-alloy chromium-vanadium-molybdenum steel, gun-metal finish.

**General ordering data**

|            |                            |   |
|------------|----------------------------|---|
| Type       | SDIS SL 0.6X3.5X100        | Version   |
| Order No.  | <a href="#">1274660000</a> | Mounting tool, Blade width (B): 3.5 mm, Blade length: 100 mm, Blade thickness (A): 0.6 mm |
| GTIN (EAN) | 4050118072631              |   |
| Qty.       | 1 pc(s).                   |   |

**Slotted screwdriver**



Slotted screwdriver with rounded blade SD DIN 5265, ISO 2380/2, output to DIN 5264, ISO 2380/1. ChromTop tip, SoftFinish grip

**General ordering data**

|            |                            |   |
|------------|----------------------------|---|
| Type       | SDS 0.6X3.5X100            | Version   |
| Order No.  | <a href="#">9008330000</a> | Screwdriver, Blade width (B): 3.5 mm, Blade length: 100 mm, Blade thickness (A): 0.6 mm |
| GTIN (EAN) | 4032248056286              |   |
| Qty.       | 1 pc(s).                   |   |

**Data sheet**

**TERMSERIES  
TRS 60VUC 1CO AU**

**Weidmüller Interface GmbH & Co. KG**  
 Klingenbergstraße 26  
 D-32758 Detmold  
 Germany  
 Fon: +49 5231 14-0  
 Fax: +49 5231 14-292083  
 www.weidmueller.com

**Accessories**

**Crosshead screwdriver Phillips**

VDE insulated crosshead screwdriver, for Phillips screws, SDIK PH DIN 7438, ISO 8764/2-PH, output to ISO 8764-PH, SoftFinish grip



**General ordering data**

| Type       | SDIK PHO                   | Version                          |
|------------|----------------------------|----------------------------------|
| Order No.  | <a href="#">9008560000</a> | Screwdriver, Blade length: 60 mm |
| GTIN (EAN) | 4032248056552              |                                  |
| Qty.       | 1 pc(s).                   |                                  |

**Blank**



WS markers are the perfect match for the W-series connectors. Thanks to their system compatibility, the WS tags can also be used with the I-series and the Z-series. The large marking surfaces do not only permit long character strings but also multi-line text. WS markers are ideal for labels with long, customised character strings. Thanks to the proven MultiCard format, printing with laser printer, PrintJet ADVANCED, plotter or MC-Mobilo is possible.

- Can be fitted in strips or individually
- Markers in proven MultiCard format

**For custom printing:** Please send us a file of our labeling software M-Print PRO or M-Print PRO Online (without installation) for your labeling specifications.

**General ordering data**

| Type       | WS 10/6 M MC NE WS         | Version  |
|------------|----------------------------|--|
| Order No.  | <a href="#">1818400000</a> | WS, Terminal marker, 10 x 6 mm, Pitch in mm (P): 6.00 Weidmueller, |
| GTIN (EAN) | 4032248310876              | Allen-Bradley, white   |
| Qty.       | 600 pc(s).                 |  |



**TERMSERIES**  
**TRS 60VUC 1CO AU**

**Weidmüller Interface GmbH & Co. KG**  
 Klingenbergstraße 26  
 D-32758 Detmold  
 Germany  
 Fon: +49 5231 14-0  
 Fax: +49 5231 14-292083  
 www.weidmueller.com

**Accessories**
**Cross-connector**


TERMSERIES accessories include:

- Spare relay
- Base
- Partition plates
- Cross-connections
- Power-feed modules

**General ordering data**

|            |                            |                             |
|------------|----------------------------|-----------------------------|
| Type       | TCC 12.8/26 BL             | Version                     |
| Order No.  | <a href="#">2556460000</a> | TERMSERIES, Cross-connector |
| GTIN (EAN) | 4050118566970              |                             |
| Qty.       | 10 pc(s).                  |                             |
| Type       | TCC 6.4/2 BK               | Version                     |
| Order No.  | <a href="#">2556470000</a> | TERMSERIES, Cross-connector |
| GTIN (EAN) | 4050118566987              |                             |
| Qty.       | 10 pc(s).                  |                             |
| Type       | TCC 6.4/10 BK              | Version                     |
| Order No.  | <a href="#">2556480000</a> | TERMSERIES, Cross-connector |
| GTIN (EAN) | 4050118566994              |                             |
| Qty.       | 10 pc(s).                  |                             |
| Type       | TCC 6.4/51 RD              | Version                     |
| Order No.  | <a href="#">2556410000</a> | TERMSERIES, Cross-connector |
| GTIN (EAN) | 4050118566925              |                             |
| Qty.       | 10 pc(s).                  |                             |
| Type       | TCC 6.4/10 BL              | Version                     |
| Order No.  | <a href="#">2556440000</a> | TERMSERIES, Cross-connector |
| GTIN (EAN) | 4050118566956              |                             |
| Qty.       | 10 pc(s).                  |                             |
| Type       | ZQV 1.5N/R6.4/19 RT        | Version                     |
| Order No.  | <a href="#">1391610000</a> | TERMSERIES, Cross-connector |
| GTIN (EAN) | 4050118191783              |                             |
| Qty.       | 10 pc(s).                  |                             |
| Type       | TCC 6.4/2 BL               | Version                     |
| Order No.  | <a href="#">2556430000</a> | TERMSERIES, Cross-connector |
| GTIN (EAN) | 4050118566949              |                             |
| Qty.       | 10 pc(s).                  |                             |
| Type       | TCC 6.4/10 OR              | Version                     |
| Order No.  | <a href="#">2556360000</a> | TERMSERIES, Cross-connector |
| GTIN (EAN) | 4050118566673              |                             |
| Qty.       | 10 pc(s).                  |                             |
| Type       | TCC 12.8/26 RD             | Version                     |
| Order No.  | <a href="#">2556420000</a> | TERMSERIES, Cross-connector |
| GTIN (EAN) | 4050118566932              |                             |
| Qty.       | 10 pc(s).                  |                             |
| Type       | TCC 12.8/26 OR             | Version                     |
| Order No.  | <a href="#">2556380000</a> | TERMSERIES, Cross-connector |
| GTIN (EAN) | 4050118566697              |                             |
| Qty.       | 10 pc(s).                  |                             |

Creation date May 1, 2020 9:25:56 PM CEST

**TERMSERIES**  
**TRS 60VUC 1CO AU**

**Weidmüller Interface GmbH & Co. KG**  
 Klingenbergstraße 26  
 D-32758 Detmold  
 Germany  
 Fon: +49 5231 14-0  
 Fax: +49 5231 14-292083  
 www.weidmueller.com

**Accessories**

|            |                            |                             |
|------------|----------------------------|-----------------------------|
| Type       | TCC 6.4/2 OR               | Version                     |
| Order No.  | <a href="#">2556350000</a> | TERMSERIES, Cross-connector |
| GTIN (EAN) | 4050118566826              |                             |
| Qty.       | 10 pc(s).                  |                             |
| Type       | ZQV 1.5N/R6.4/19 GE        | Version                     |
| Order No.  | <a href="#">1193690000</a> | TERMSERIES, Cross-connector |
| GTIN (EAN) | 4032248976645              |                             |
| Qty.       | 10 pc(s).                  |                             |
| Type       | TCC 6.4/51 BL              | Version                     |
| Order No.  | <a href="#">2556450000</a> | TERMSERIES, Cross-connector |
| GTIN (EAN) | 4050118566963              |                             |
| Qty.       | 10 pc(s).                  |                             |
| Type       | ZQV 1.5N/R6.4/2 RT         | Version                     |
| Order No.  | <a href="#">1446090000</a> | TERMSERIES, Cross-connector |
| GTIN (EAN) | 4050118250886              |                             |
| Qty.       | 10 pc(s).                  |                             |
| Type       | TCC 6.4/51 OR              | Version                     |
| Order No.  | <a href="#">2556370000</a> | TERMSERIES, Cross-connector |
| GTIN (EAN) | 4050118566680              |                             |
| Qty.       | 10 pc(s).                  |                             |
| Type       | ZQV 1.5N/R6.4/10 GE        | Version                     |
| Order No.  | <a href="#">1193680000</a> | TERMSERIES, Cross-connector |
| GTIN (EAN) | 4032248976454              |                             |
| Qty.       | 10 pc(s).                  |                             |
| Type       | TCC 6.4/2 RD               | Version                     |
| Order No.  | <a href="#">2556390000</a> | TERMSERIES, Cross-connector |
| GTIN (EAN) | 4050118566901              |                             |
| Qty.       | 10 pc(s).                  |                             |
| Type       | ZQV 1.5N/R6.4/2 SW         | Version                     |
| Order No.  | <a href="#">1446040000</a> | TERMSERIES, Cross-connector |
| GTIN (EAN) | 4050118251067              |                             |
| Qty.       | 10 pc(s).                  |                             |
| Type       | TCC 6.4/10 RD              | Version                     |
| Order No.  | <a href="#">2556400000</a> | TERMSERIES, Cross-connector |
| GTIN (EAN) | 4050118566918              |                             |
| Qty.       | 10 pc(s).                  |                             |
| Type       | ZQV 1.5N/R6.4/2 GE         | Version                     |
| Order No.  | <a href="#">1193670000</a> | TERMSERIES, Cross-connector |
| GTIN (EAN) | 4032248976638              |                             |
| Qty.       | 10 pc(s).                  |                             |
| Type       | ZQV 1.5N/R6.4/2 BL         | Version                     |
| Order No.  | <a href="#">1446140000</a> | TERMSERIES, Cross-connector |
| GTIN (EAN) | 4050118251074              |                             |
| Qty.       | 10 pc(s).                  |                             |
| Type       | TCC 12.8/26 BK             | Version                     |
| Order No.  | <a href="#">2556500000</a> | TERMSERIES, Cross-connector |
| GTIN (EAN) | 4050118567014              |                             |
| Qty.       | 10 pc(s).                  |                             |
| Type       | ZQV 1.5N/R6.4/10 SW        | Version                     |
| Order No.  | <a href="#">1391630000</a> | TERMSERIES, Cross-connector |
| GTIN (EAN) | 4050118191776              |                             |
| Qty.       | 10 pc(s).                  |                             |

Creation date May 1, 2020 9:25:56 PM CEST

## TERMSERIES TRS 60VUC 1CO AU

**Weidmüller Interface GmbH & Co. KG**  
 Klingenbergstraße 26  
 D-32758 Detmold  
 Germany  
 Fon: +49 5231 14-0  
 Fax: +49 5231 14-292083  
 www.weidmueller.com

## Accessories

|            |                            |                             |
|------------|----------------------------|-----------------------------|
| Type       | TCC 6.4/51 BK              | Version                     |
| Order No.  | <a href="#">2556490000</a> | TERMSERIES, Cross-connector |
| GTIN (EAN) | 4050118567007              |                             |
| Qty.       | 10 pc(s).                  |                             |
| Type       | ZQV 1.5N/R6.4/19 BL        | Version                     |
| Order No.  | <a href="#">1391620000</a> | TERMSERIES, Cross-connector |
| GTIN (EAN) | 4050118191813              |                             |
| Qty.       | 10 pc(s).                  |                             |
| Type       | ZQV 1.5N/R6.4/10 BL        | Version                     |
| Order No.  | <a href="#">1390350000</a> | TERMSERIES, Cross-connector |
| GTIN (EAN) | 4050118190793              |                             |
| Qty.       | 10 pc(s).                  |                             |
| Type       | ZQV 1.5N/R6.4/10 RT        | Version                     |
| Order No.  | <a href="#">1391640000</a> | TERMSERIES, Cross-connector |
| GTIN (EAN) | 4050118191660              |                             |
| Qty.       | 10 pc(s).                  |                             |
| Type       | ZQV 1.5N/R6.4/19 SW        | Version                     |
| Order No.  | <a href="#">1391600000</a> | TERMSERIES, Cross-connector |
| GTIN (EAN) | 4050118191806              |                             |
| Qty.       | 10 pc(s).                  |                             |

## Partition plate



TERMSERIES accessories include:

- Spare relay
- Base
- Partition plates
- Cross-connections
- Power-feed modules

## General ordering data

|            |                            |                              |
|------------|----------------------------|------------------------------|
| Type       | TW TXS/TXZ R3.2            | Version                      |
| Order No.  | <a href="#">1240800000</a> | TERMSERIES, Separation plate |
| GTIN (EAN) | 4050118028188              |                              |
| Qty.       | 10 pc(s).                  |                              |

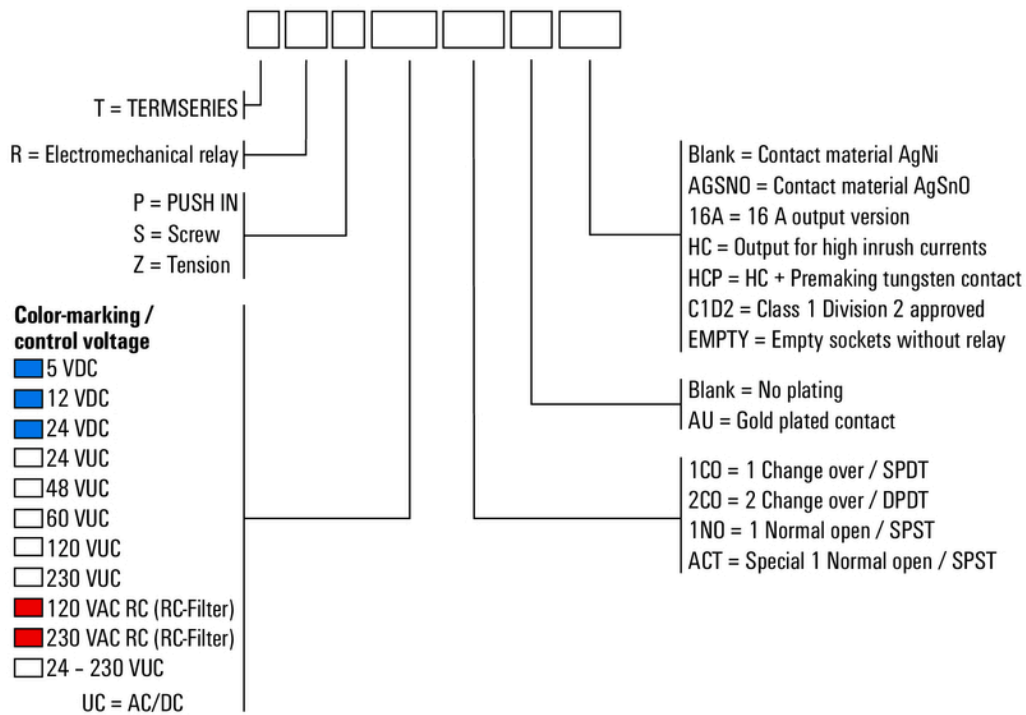
**TERMSERIES  
TRS 60VUC 1CO AU**

**Weidmüller Interface GmbH & Co. KG**  
 Klingenbergstraße 26  
 D-32758 Detmold  
 Germany  
 Fon: +49 5231 14-0  
 Fax: +49 5231 14-292083  
 www.weidmueller.com

**Drawings**

**Miscellaneous**

**Type code TERMSERIES electromechanical relay versions**



Type codes