

## SAIL-ZW-M8BW-3-3.0UGE

**Weidmüller Interface GmbH & Co. KG**

Klingenbergstraße 26

D-32758 Detmold

Germany

Fon: +49 5231 14-0

Fax: +49 5231 14-292083

www.weidmueller.com



Sensor/actuator cables are used for wiring sensors and actuators and for transmitting data or power in various applications. The moulded cable offers connected and tested connection of the plug-in connector to the cable ex-works. The cables may be exposed to a wide range of conditions, such as humidity, dust, heat, cold, shock or vibration.

Our developers have focused specifically on this issue and designed a host of different M8 and M12 sensor-actuator cables so you are bound to find the solution you need for your application.

Is there something you have not managed to find or you feel needs explanation? Talk to us!

### General ordering data

Type	SAIL-ZW-M8BW-3-3.0UGE
Order No.	<a href="#">1093260300</a>
Version	Sensor/actuator line, Connecting line, M12 / M8, Number of poles : 3, 3 m, Twin cabling, pin, straight, 2x socket, angled, Shielded: No, LED: No, Sheath material: PUR, Halogen: No
GTIN (EAN)	4032248864560
Qty.	1 pc(s).

Creation date May 1, 2020 7:08:34 PM CEST

Catalogue status 17.04.2020 / We reserve the right to make technical changes.

**SAIL-ZW-M8BW-3-3.0UGE****Weidmüller Interface GmbH & Co. KG**

Klingenbergstraße 26

D-32758 Detmold

Germany

Fon: +49 5231 14-0

Fax: +49 5231 14-292083

www.weidmueller.com

**Technical data****Dimensions and weights**

Net weight 171 g

**Temperatures**

Operating temperature range, max.	80 °C	Operating temperature range, min.	-25 °C
Operating temperature, max.	80 °C	Operating temperature, min.	-25 °C

**Environmental Product Compliance**

REACH SVHC Lead 7439-92-1

**Technical specifications for cable**

Number of poles	3	Core cross-section	0.25 mm <sup>2</sup>
Outside diameter	4.1 mm ± 0.2 mm	Cable length	3 m
Shielded	No	Insulation	PP
Colour coding	brown, blue, black	Sheath material	PUR
Sheathing colour	yellow	Halogen	No
Temperature range, moving	-25...80 °C	Temperature range, stationary	-40...80 °C
Core in accordance with UL AWM style	10493 (80 °C / 300 V)	Outer cladding in accordance with UL AWM style	20233 (80 °C / 300 V)
Suitable for cable carriers	Yes	Torsion resistance	360 °/m
Bending radius, min., stationary	5 x cable diameter	Bending radius, min., moving	10 x cable diameter
Acceleration	5 m/s <sup>2</sup>	Speed	5 m/s
Bending cycles	5 Mio	Resistant to welding beads	No
Configurable cable length	No	Hydrolysis and microbe resistant	Yes
Resistance to oils		Resistance to spread of flame	In accordance with UL1581 UL/ CUL FT1, in accordance with IEC 60332-1-2, in accordance with IEC 60332-1-3, in accordance with IEC 60332-2-2
	in accordance with IEC 60811:404		

**General technical data**

AF size	12 mm	Version	Twin cabling, pin, straight, 2x socket, angled
Connection thread	M12 / M8	Housing main material	PUR
Threaded ring material	Brass, nickel-plated	Coding	M12 = A, M8 = none
Protection degree	IP65, IP66, IP67, IP68, when screwed in	Contact surface	Gold-plated
LED	No	Rated voltage	60 V
Rated current	4 A	Insulation strength	10 <sup>8</sup> Ω
Temperature range of housing	-25...+80 °C	Tightening torque	M8: 0.5 - 0.6 Nm, M12: 0.8 - 1.2 Nm
Plugging cycles jumpered	≥ 100	Pollution severity	3
	No		

**Standards**

Connector standard IEC 61076-2-101, IEC 61076-2-104

**SAIL-ZW-M8BW-3-3.0UGE**

**Weidmüller Interface GmbH & Co. KG**  
 Klingenbergstraße 26  
 D-32758 Detmold  
 Germany  
 Fon: +49 5231 14-0  
 Fax: +49 5231 14-292083  
 www.weidmueller.com

**Technical data**

**Classifications**

ETIM 6.0	EC001855	ETIM 7.0	EC001855
eClass 9.0	27-06-03-11	eClass 9.1	27-06-03-13
eClass 10.0	27-06-03-11		

**Approvals**

Approvals



ROHS Conform

**Downloads**

Brochure/Catalogue	<a href="#">FL FIELDWIRING EN</a>
Engineering Data	<a href="#">EPLAN_WSCAD</a>
Product Change Notification	<a href="#">DE - Technische Änderung zu M12 Gewinding mit 6-Kant</a> <a href="#">EN - Technical change to M12 nut with additional hexagonal mounting</a>

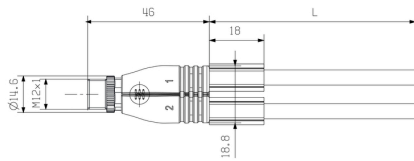
**Data sheet**

**SAIL-ZW-M8BW-3-3.0UGE**

**Weidmüller Interface GmbH & Co. KG**  
 Klingenbergstraße 26  
 D-32758 Detmold  
 Germany  
 Fon: +49 5231 14-0  
 Fax: +49 5231 14-292083  
 www.weidmueller.com

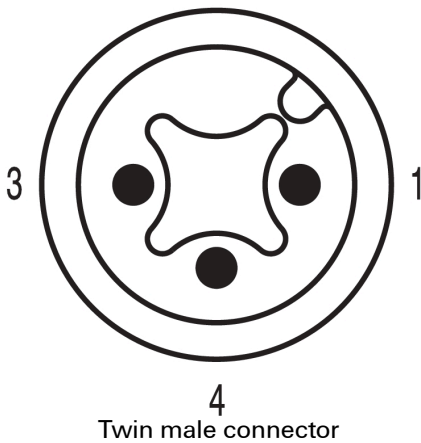
**Drawings**

**Dimensioned drawing**



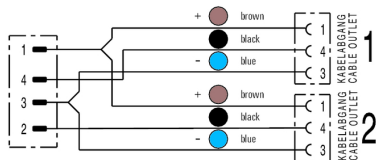
Twin male connector, straight

**Pole scheme**

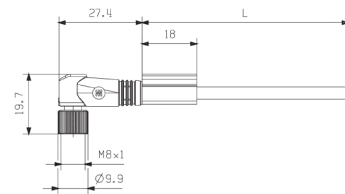


Twin male connector

**Wiring diagram**

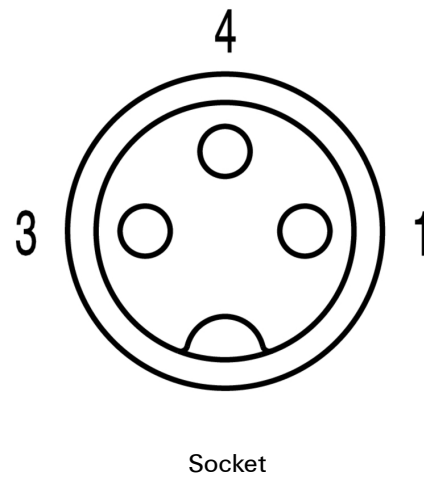


**Dimensioned drawing**



Angled socket

**Pole scheme**



Socket

**The ideal tool: Screwty® with torque function**



Light, securely screwed-in round plug-in connectors. Screwty set DM / VPE: 1 / Order No.: 1920000000 Adapters: M12, M12 F, M8, M8 F

**SAIL-ZW-M8BW-3-3.0UGE**

**Weidmüller Interface GmbH & Co. KG**  
 Klingenbergstraße 26  
 D-32758 Detmold  
 Germany  
 Fon: +49 5231 14-0  
 Fax: +49 5231 14-292083  
 www.weidmueller.com

**Accessories**

**Tools**

Sheathing stripper for PVC cables



**General ordering data**

Type	AM 12	Version
Order No.	<a href="#">9030060000</a>	Tools, Sheathing strippers, UTP and STP data cables
GTIN (EAN)	4008190337827	
Qty.	1 pc(s).	

**Cutting tools for outside diameters up to 22 mm**



Cutting tools for conductors up to 8 mm, 12 mm, 14 mm and 22 mm outside diameter. The special blade geometry allows pinch-free cutting of copper and aluminium conductors with minimum physical effort. The cutting tools also come with VDE and GS-tested protective insulation up to 1,000 V in accordance with EN/IEC 60900.

**General ordering data**

Type	KT 8	Version
Order No.	<a href="#">9002650000</a>	Cutting tools ,Cutting tool for one-hand operation
GTIN (EAN)	4008190020163	
Qty.	1 pc(s).	

**SAIL-ZW-M8BW-3-3.0UGE**

**Weidmüller Interface GmbH & Co. KG**  
 Klingenbergstraße 26  
 D-32758 Detmold  
 Germany  
 Fon: +49 5231 14-0  
 Fax: +49 5231 14-292083  
 www.weidmueller.com

**Accessories**

**Tools**



- Stripping tools with automatic self-adjustment
- For flexible and solid conductors
- Ideally suitable for mechanical and plant engineering, railway and rail traffic, wind energy, robot technology, explosion protection as well as marine, offshore and ship building sectors
- Stripping length adjustable via end stop
- Automatic opening of clamping jaws after stripping
- No fanning-out of individual conductors
- Adjustable to diverse insulation thicknesses
- Double-insulated cables in two process steps without special adjustment
- No play in self-adjusting cutting unit
- Long service life
- Optimised ergonomic design

**General ordering data**

Type	STRIPPER 6-16 RED-LINE	Version
Order No.	<a href="#">9203110000</a>	Stripping and cutting tool, 16mm <sup>2</sup>
GTIN (EAN)	4032248541423	
Qty.	1 pc(s).	

**Tool**



Tools for stripping the sheathing from uncut power lines and outlet lines, plus screwdrivers for installing Pick-to-Light components.

**General ordering data**

Type	SCREWTY-M12-DM	Version
Order No.	<a href="#">1900001000</a>	Tools, Cable gland tool for moulded M12 lines
GTIN (EAN)	4032248436408	
Qty.	1 pc(s).	

## SAIL-ZW-M8BW-3-3.0UGE

**Weidmüller Interface GmbH & Co. KG**

Klingenbergstraße 26

D-32758 Detmold

Germany

Fon: +49 5231 14-0

Fax: +49 5231 14-292083

www.weidmueller.com

## Accessories

### Blank



TM-I is an acknowledged and accredited marker type for traffic engineering applications. There are five different tag lengths available for individual labelling with long character strings. Easy handling of separation and installation thanks to the project marker field. Pre-attachment of sleeves and retrofitting of tags offer excellent versatility

The special contour of TM-I allows easy assembly and secures firm positioning. They are compatible with a number of commercially available sleeves. Thanks to the MultiCard format, the tags can be printed quickly and conveniently with the SMark laser printer, PrintJet ADVANCED, plotter, MC-Mobilo or the STI pen.

- Easy handling of separation and installation thanks to the project marker field.
- Acknowledged and accredited marker for traffic engineering applications
- Pre-attachment of sleeves and retrofitting of tags offer excellent versatility
- Not suited for labelling with P-Ink or STI pen in connection with CLI T sleeves

**For custom printing:** Please send us a file of our labeling software M-Print PRO or M-Print PRO Online (without installation) for your labeling specifications.

### General ordering data

Type	TM-I 18 MC NE GE	Version
Order No.	<a href="#">1718431687</a>	TM-I, Insert markers, 18 x 4 mm, yellow
GTIN (EAN)	4008190349028	
Qty.	320 pc(s).	
Type	TM-I 18 MC NE WS	Version
Order No.	<a href="#">1718431044</a>	TM-I, Insert markers, 18 x 4 mm, white
GTIN (EAN)	4008190349011	
Qty.	320 pc(s).	

**SAIL-ZW-M8BW-3-3.0UGE**

**Weidmüller Interface GmbH & Co. KG**  
 Klingenbergstraße 26  
 D-32758 Detmold  
 Germany  
 Fon: +49 5231 14-0  
 Fax: +49 5231 14-292083  
 www.weidmueller.com

**Accessories**

**Screwty® cable gland tool with torque function**



**The ideal tool for any application**

Screwty® is the ideal, all-purpose tool for tightening all common sensor and actuator cables. Even difficult-to-reach round plugs are accessible using the Screwty®. A simple turning movement tightens and loosens the connectors without the need for excessive force. The Screwty® is a unique and global solution since it fits with most cables and plugs from other vendors (over 90 %). The Screwty® consists of a handle with a conventional 1/4" adapter. Thus it can be used for all sizes: for M12 and M8 round plug-in connectors, and for M12F and M8F customisable plugs and sockets, as well as for all M23 plugs and sockets.

**General ordering data**

Type	SAI-SCREWTY BOX	Version	
Order No.	<a href="#">1939180000</a>	Tools, Bolting tool	
GTIN (EAN)	4032248615506		
Qty.	1 pc(s).		