

**Industrial Ethernet
IE-CD-V14MHYB-10P-FJ**

Weidmüller Interface GmbH & Co. KG
Klingenbergstraße 26
D-32758 Detmold
Germany
Fon: +49 5231 14-0
Fax: +49 5231 14-292083
www.weidmueller.com



Junction box, design for FreeCon PushPull plug-in connectors ver.14 according to IEC 61076-3-117, metal with hybrid 10-pole Insert

General ordering data

Type	IE-CD-V14MHYB-10P-FJ
Order No.	1068850000
Version	Junction box, FreeCon, Hybrid, Module, IP65
GTIN (EAN)	4032248823925
Qty.	1 pc(s).

Creation date May 1, 2020 3:36:58 PM CEST

Catalogue status 17.04.2020 / We reserve the right to make technical changes.

**Industrial Ethernet
IE-CD-V14MHYB-10P-FJ**

Weidmüller Interface GmbH & Co. KG
 Klingenbergstraße 26
 D-32758 Detmold
 Germany
 Fon: +49 5231 14-0
 Fax: +49 5231 14-292083
 www.weidmueller.com

Technical data**Dimensions and weights**

Width	41 mm	Width (inches)	1.614 inch
Height	52 mm	Height (inches)	2.047 inch
Depth	100 mm	Depth (inches)	3.937 inch
Net weight	372 g	Insulation cross-section	1 mm

Temperatures

Operating temperature, max.	70 °C	Operating temperature, min.	-40 °C
Storage temperature, max.	75 °C	Storage temperature, min.	-40 °C
Operating temperature	-40 °C...70 °C	Storage temperature	-40 °C...75 °C

Environmental Product Compliance

REACH SVHC Lead 7439-92-1

General data

Colour	silver	Housing main material	Aluminium profile, Cover: die-cast zinc, nickel plated
Protection degree	IP65	Sheath diameter, max.	12 mm
Sheath diameter, min.	6 mm	Type of mounting	2 screws, for exposed connections
UL 94 flammability rating	V-0		

General standards

Certificate no. (cULus) E316369 Connector standard IEC 61076-3-117 Var. 14

Technical specifications for hybrid connector

Contact material (hybrid connector)	Copper alloy	Contact resistance (hybrid connector)	≤ 10 mΩ
Contact surface (hybrid connector)	Gold over nickel	Housing base material (hybrid connector)	Zinc diecast (flange), PA 66
Material of seal (hybrid connector)	NBR	Plugging cycles (hybrid connector)	500
Pole count	10	Protection degree (hybrid connector)	IP65
Rated current (hybrid connector)	3 A per contact	Rated voltage (DIN EN 61984) (hybrid connector)	24 V
Shielding (hybrid connector)	360° shield contact	Wire connection cross section, finely stranded, max. (hybrid connector)	0.75 mm ²
Wire connection cross section, finely stranded, min. (hybrid connector)	0.08 mm ²	Wire cross-section, finely stranded, max. (AWG) (hybrid connector)	AWG 20
Wire cross-section, finely stranded, min. (AWG) (hybrid connector)	AWG 27		

Classifications

ETIM 6.0	EC000437	ETIM 7.0	EC000437
eClass 9.0	27-44-02-02	eClass 9.1	27-44-03-92
eClass 10.0	27-44-02-02		

Data sheet**Industrial Ethernet
IE-CD-V14MHYB-10P-FJ**

Weidmüller Interface GmbH & Co. KG
Klingenbergstraße 26
D-32758 Detmold
Germany
Fon: +49 5231 14-0
Fax: +49 5231 14-292083
www.weidmueller.com

Technical data**Approvals**

Approvals



ROHS

Conform

DownloadsApproval/Certificate/Document of
Conformity[DUXR.E316369](#)

Brochure/Catalogue

[CAT 9 IETH 18/19 EN](#)
[MB FREECONTACT EN](#)
[FL FIELDWIRING EN](#)
[PI PROFINET CABLING EN](#)

Engineering Data

[EPLAN, WSCAD](#)

User Documentation

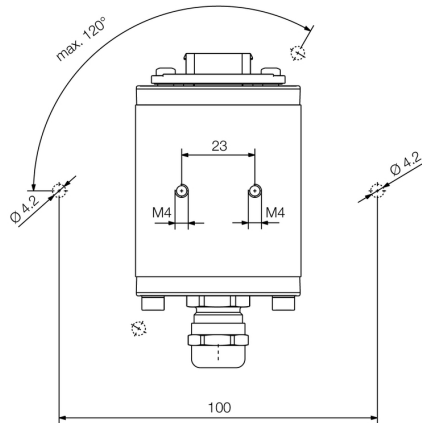
[MAN IE GUIDE DE](#)
[MAN IE GUIDE EN](#)

**Industrial Ethernet
IE-CD-V14MHYB-10P-FJ**

Weidmüller Interface GmbH & Co. KG
Klingenbergstraße 26
D-32758 Detmold
Germany
Fon: +49 5231 14-0
Fax: +49 5231 14-292083
www.weidmueller.com

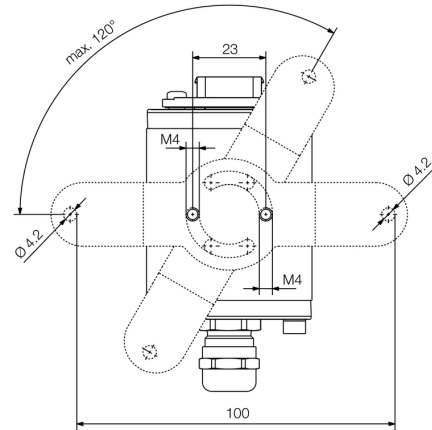
Drawings

Dimensioned drawing



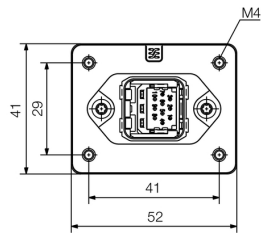
Bottom view

Dimensioned drawing



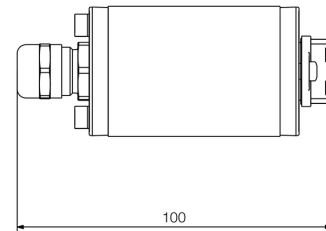
Bottom view with mounting foot

Dimensioned drawing



Front view

Dimensioned drawing



Side view

**Industrial Ethernet
IE-CD-V14MHYB-10P-FJ**

Weidmüller Interface GmbH & Co. KG
Klingenbergstraße 26
D-32758 Detmold
Germany
Fon: +49 5231 14-0
Fax: +49 5231 14-292083
www.weidmueller.com

Accessories

Other crimping tools



- for C1 contacts
- for D-Sub contact of CM-20 ConCept Module
- IE crimping tool

General ordering data

Type	HTF HYB	Version
Order No.	1119580000	Pressing tool, Crimping tool for contacts, 0.08mm², 1mm²,
GTIN (EAN)	4032248900626	FoderBcrimp
Qty.	1 pc(s).	

Dust caps



For protecting your devices against dust and dirt.

Dust caps

General ordering data

Type	IE-BP-V14P	Version
Order No.	1058310000	Flange-mounted housing, protective cap
GTIN (EAN)	4032248799404	
Qty.	10 pc(s).	

**Industrial Ethernet
IE-CD-V14MHYB-10P-FJ**

Weidmüller Interface GmbH & Co. KG
Klingenbergstraße 26
D-32758 Detmold
Germany
Fon: +49 5231 14-0
Fax: +49 5231 14-292083
www.weidmueller.com

Accessories

Sets - hybrid



PushPull plug-in connector set according to IEC 61076-3-117 ver.14 (PROFINET), metal incl. hybrid insert

General ordering data

Type	IE-PS-V14M-HYB-10P	Version
Order No.	1072910000	Hybrid plug, Cat.5 (ISO/IEC 11801)
GTIN (EAN)	4032248831128	
Qty.	10 pc(s).	

Hybrid



Hybrid, 10-pole. Inserts for plug-in connectors ver.1 /4 /5 /14

General ordering data

Type	IE-BIC-HYB-P-0,5-300	Version
Order No.	1096150000	Crimp contact, Flange, Hybrid
GTIN (EAN)	4032248869114	
Qty.	300 pc(s).	
Type	IE-BIC-HYB-P-0,2-300	Version
Order No.	1135160000	Crimp contact, Flange, Hybrid
GTIN (EAN)	4032248915477	
Qty.	300 pc(s).	
Type	IE-BIC-HYB-P-0,75-300	Version
Order No.	1068970000	Crimp contact, Flange, Hybrid
GTIN (EAN)	4032248823956	
Qty.	300 pc(s).	

Data sheet

**Industrial Ethernet
IE-CD-V14MHYB-10P-FJ**

Weidmüller Interface GmbH & Co. KG
 Klingenbergstraße 26
 D-32758 Detmold
 Germany
 Fon: +49 5231 14-0
 Fax: +49 5231 14-292083
 www.weidmueller.com

Accessories

Mounting foot for FreeCon



Mounting FreeCon

At Weidmüller you can get everything you need from one source - including accessories for Industrial Ethernet. The benefits for you:

- tools
- testing instruments
- cable bushings
- cabinet connections
- markers
- dust protection
- power packs
- overvoltage protection

General ordering data

Type	IE-CD-MA	Version
Order No.	1099580000	Mounting foot, FreeCon
GTIN (EAN)	4032248874040	
Qty.	10 pc(s).	