

**Industrial Ethernet
IE-CD-V14MRJ/VAPM24V-C-MA**

Weidmüller Interface GmbH & Co. KG
Klingenbergstraße 26
D-32758 Detmold
Germany
Fon: +49 5231 14-0
Fax: +49 5231 14-292083
www.weidmueller.com



Double junction box / coupling, design for FreeCon PushPull plug-in connectors ver.14 according to IEC 61076-3-117 with RJ45 and PushPull Power

General ordering data

Type	IE-CD-V14MRJ/VAPM24V-C-MA
Order No.	1068820000
Version	Junction box, FreeCon, RJ45, Plug-in connector, Supply, IP65
GTIN (EAN)	4032248823918
Qty.	1 pc(s).

Creation date May 1, 2020 3:36:08 PM CEST

Catalogue status 17.04.2020 / We reserve the right to make technical changes.

Industrial Ethernet IE-CD-V14MRJ/VAPM24V-C-MA

Weidmüller Interface GmbH & Co. KG
Klingenbergstraße 26
D-32758 Detmold
Germany
Fon: +49 5231 14-0
Fax: +49 5231 14-292083
www.weidmueller.com

Technical data

Dimensions and weights

Width	80 mm	Width (inches)	3.15 inch
Height	52 mm	Height (inches)	2.047 inch
Depth	61 mm	Depth (inches)	2.402 inch
Net weight	451.6 g		

Temperatures

Operating temperature, max.	70 °C	Operating temperature, min.	-40 °C
Operating temperature	-40 °C...70 °C		

Environmental Product Compliance

REACH SVHC	Lead 7439-92-1
------------	----------------

General data

Colour	silver	Housing main material	Aluminium profile, Cover: die-cast zinc, nickel plated
Plugging cycles	≥ 100	Protection degree	IP65
UL 94 flammability rating	V-0		

Technical data RJ45 coupling

Category (RJ45 coupling)	Cat.6 _A / Class E _A (ISO/IEC 11801 2010)	Contact resistance (RJ45 coupling)	≤ 20 mΩ
Contact surface (RJ45 coupling)	Gold over nickel	Current carrying capability (RJ45 coupling)	1 A
Dielectric strength, contact - contact, min. (RJ45 coupling)	≥ 1000 V DC	Dielectric strength, contact - shielding, max. (RJ45 coupling)	≥ 1500 V DC
Housing base material (RJ45 coupling)	Zinc diecast, PA 66	Insulation resistance (RJ45 coupling)	> 500 MΩ

General standards

Certificate no. (cULus)	E316369	Connector standard	IEC 61076-3-117 Var. 14, IEC 60603-7-5
-------------------------	---------	--------------------	--

Technical specifications for power connector

Cable seal material (power connector)	TPE	Connection 2 (power connector)	Tension clamp
Connection cross-section AWG, max. (power connector)	13	Connection cross-section AWG, min. (power connector)	18
Contact material (power connector)	Copper alloy	Contact surface (power connector)	Gold over nickel
Current capacity at 50 °C (power connector)	16 A	Housing base material (power connector)	Zinc diecast, nickel-plated
Interlock type (power connector)	Push Pull	Nominal voltage (power connector)	24 V
Plugging cycles (power connector)	≤ 100	Pollution degree (power connector)	2
Seal material (power connector)	NBR	Sheath diameter, max. (power connector)	12 mm
Sheath diameter, min. (power connector)	6 mm	Wire connection cross section, finely stranded, max. (power connector)	2.5 mm ²
Wire connection cross section, finely stranded, min. (power connector)	0.75 mm ²		

**Industrial Ethernet
IE-CD-V14MRJ/VAPM24V-C-MA**

Weidmüller Interface GmbH & Co. KG
Klingenbergstraße 26
D-32758 Detmold
Germany
Fon: +49 5231 14-0
Fax: +49 5231 14-292083
www.weidmueller.com

Technical data

Classifications

ETIM 6.0	EC000437	ETIM 7.0	EC000437
eClass 9.0	27-44-02-02	eClass 9.1	27-44-03-92
eClass 10.0	27-44-02-02		

Approvals

Approvals



ROHS	Conform
------	---------

Downloads

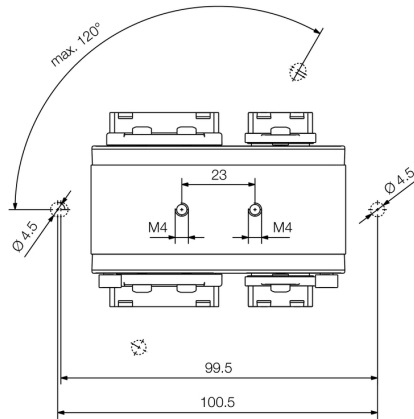
Approval/Certificate/Document of Conformity	DUXR.E316369
Brochure/Catalogue	CAT 9 IETH 18/19 EN MB FREECONTACT EN FL FIELDWIRING EN PI PROFINET CABLING EN
User Documentation	MAN IE GUIDE DE MAN IE GUIDE EN

Industrial Ethernet
IE-CD-V14MRJ/VAPM24V-C-MA

Weidmüller Interface GmbH & Co. KG
Klingenbergstraße 26
D-32758 Detmold
Germany
Fon: +49 5231 14-0
Fax: +49 5231 14-292083
www.weidmueller.com

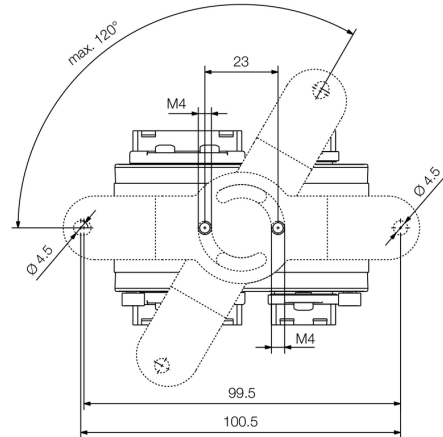
Drawings

Dimensioned drawing



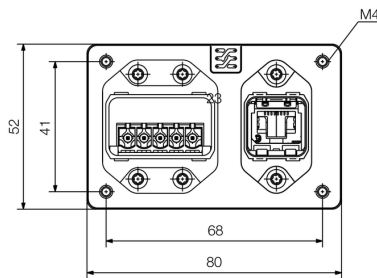
Bottom view

Dimensioned drawing



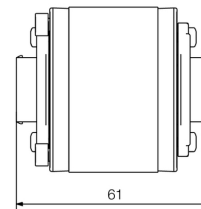
Bottom view with mounting foot

Dimensioned drawing



Front view

Dimensioned drawing



Side view

**Industrial Ethernet
IE-CD-V14MRJ/VAPM24V-C-MA**

Weidmüller Interface GmbH & Co. KG
 Klingenbergstraße 26
 D-32758 Detmold
 Germany
 Fon: +49 5231 14-0
 Fax: +49 5231 14-292083
 www.weidmueller.com

Accessories

Sets



PushPull Power plug-in connector according to PROFINET specification

General ordering data

Type	IE-PS-VAPM-5P-2.5	Version
Order No.	2465440000	Power connector, Plug, PROFINET, Set of connectors
GTIN (EAN)	4050118522136	
Qty.	1 pc(s).	

Assembled cables - power cables, PVC



Assembled IE cables, PROFINET, with push-pull power plug connector according to PROFINET specifications

Power cable PVC

General ordering data

Type	IE-CSPS5VS0010VAPVAP-X	Version
Order No.	1350120010	System cable, PushPull Power, PushPull Power, PVC, 1 m
GTIN (EAN)	4050118165296	
Qty.	1 pc(s).	

**Industrial Ethernet
IE-CD-V14MRJ/VAPM24V-C-MA**

Weidmüller Interface GmbH & Co. KG
Klingenbergstraße 26
D-32758 Detmold
Germany
Fon: +49 5231 14-0
Fax: +49 5231 14-292083
www.weidmueller.com

Accessories

Dust caps



For protecting your devices against dust and dirt.

Dust caps

General ordering data

Type	IE-BP-VAPP	Version
Order No.	1068930000	Flange-mounted housing, protective cap
GTIN (EAN)	4032248823093	
Qty.	10 pc(s).	
Type	IE-BP-V14P	Version
Order No.	1058310000	Flange-mounted housing, protective cap
GTIN (EAN)	4032248799404	
Qty.	10 pc(s).	

Sets - RJ45



PushPull plug-in connector set according to IEC 61076-3-117 ver.14 (PROFINET), metal incl. RJ45 insert

General ordering data

Type	IE-PS-V14M-RJ45-FH-P	Version
Order No.	1012170000	Plug insert RJ45 tool-free, Variant 14 metal, Cat.5 (ISO/IEC 11801)
GTIN (EAN)	4032248719815	
Qty.	10 pc(s).	

Data sheet

**Industrial Ethernet
IE-CD-V14MRJ/VAPM24V-C-MA**

Weidmüller Interface GmbH & Co. KG
 Klingenbergstraße 26
 D-32758 Detmold
 Germany
 Fon: +49 5231 14-0
 Fax: +49 5231 14-292083
 www.weidmueller.com

Accessories

Cat. 5 PUR dragline cable - RJ45 V14 IP67

Assembled IE cables, PROFINET, Cat. 5, PUR, green, drag-chain compatible, PushPull plug-in connector according to IEC 61076-3-117 ver.14



General ordering data

Type	IE-C5DD4UG0010A2EA2E-X	Version
Order No.	1119730010	Dragline cable, PROFINET, RJ45 IP 67 PushPull V14 metal, RJ45 IP
GTIN (EAN)	4032248985463	67 PushPull V14 metal, Cat.5 (ISO/IEC 11801) / Cat.5e (TIA T568-B),
Qty.	1 pc(s).	PUR, 1 m