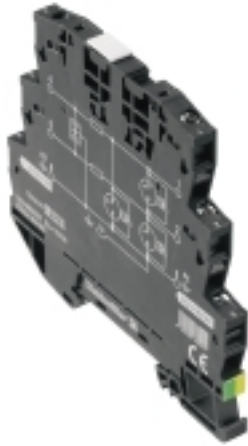


VSSC
VSSC6 RS485 DP

Weidmüller Interface GmbH & Co. KG
Klingenbergstraße 26
D-32758 Detmold
Germany
Fon: +49 5231 14-0
Fax: +49 5231 14-292083
www.weidmueller.com



Similar to illustration

Data surge protection

- for RS 422 and RS 485 signals
- Can also be connected as T branch with K21 wall-mounted housing

General ordering data

Type	VSSC6 RS485 DP
Order No.	1065010000
Version	Surge protection for instrumentation and control, 12 V, 500 mA, IEC 61643-21
GTIN (EAN)	4032248830244
Qty.	10 pc(s).

Creation date May 1, 2020 3:13:58 PM CEST

Catalogue status 17.04.2020 / We reserve the right to make technical changes.

VSSC
VSSC6 RS485 DP

Weidmüller Interface GmbH & Co. KG
 Klingenbergstraße 26
 D-32758 Detmold
 Germany
 Fon: +49 5231 14-0
 Fax: +49 5231 14-292083
 www.weidmueller.com

Technical data**Dimensions and weights**

Width	6.2 mm	Width (inches)	0.244 inch
Height	88.5 mm	Height (inches)	3.484 inch
Depth	81 mm	Depth (inches)	3.189 inch
Net weight	42 g		

Temperatures

Humidity	5...96 %	Operating temperature, max.	70 °C
Operating temperature, min.	-40 °C	Storage temperature, max.	80 °C
Storage temperature, min.	-40 °C	Operating temperature	-40 °C...70 °C
Storage temperature	-40 °C...80 °C		

Probability of failure

λges	60	MTTF	1,903 Jahre
PFH in 1*10 ⁻⁹ per hour	3.25	SFF	94.58 %
SIL in compliance with IEC 61508	3		

Environmental Product Compliance

REACH SVHC	Lead 7439-92-1
------------	----------------

Rated data UL

Certificate No. (UL)	E311081	UL certificate	UL Zertifikat
----------------------	---------	----------------	---------------

CSA protection data

Gas group C	IIB	Gas group D	IIA
Gas groups A, B	IIC	Input current, max. I _i	500 mA
Input voltage, max. U _i	15 V	Internal capacity, max. C _i	7 nF
Internal inductance, max. L _i	0 μH		

General data

Colour	black	Design	Terminal
Isolating function	No	Optical function display	No
Protection degree	IP20	Rail	TS 35
Segment	Measurement - Monitoring - Setting	UL 94 flammability rating	V-0
Version	Surge protection for measurement and control		

Insulation coordination acc. to EN 50178

Pollution severity	2	Surge voltage category	III
--------------------	---	------------------------	-----

VSSC
VSSC6 RS485 DP

Weidmüller Interface GmbH & Co. KG
 Klingenbergstraße 26
 D-32758 Detmold
 Germany
 Fon: +49 5231 14-0
 Fax: +49 5231 14-292083
 www.weidmueller.com

Technical data**Rated data IEC / EN**

Rated voltage (DC)	12 V	Voltage type	AC
Max. continuous voltage, U_c (DC)	15 V	Discharge current, max. (8/20 μ s)	20 kA
Discharge current I_n (8/20 μ s) wire-PE	2.5 kA	Discharge current I_{max} (8/20 μ s) wire-PE	10 kA
Discharge current I_n (8/20 μ s) wire-wire	2.5 kA	Discharge current I_{max} (8/20 μ s) wire-wire	10 kA
Lightning test current I_{imp} (10/350 μ s)	0.5 kA	Lightning test current, I_{imp} (10/350 μ s) Wire-PE	0.5 kA
Standards	IEC 61643-21	Protection level U_p (typ.)	\leq 100 V
Insertion loss	113.7 MHz	Number of poles	1
Overload - failure mode	Modus 2	Pulse-reset capacity	\leq 15 ms
Rated current I_N	500 mA	Requirements category acc. to IEC 61643-21	C2, C3, D1
Signal transmission properties (-3 dB)	113.6 MHz	Surge current-carrying capacity C2	2.5 kA 8/20 μ s 5 kV 1.2/50 μ s
Surge current-carrying capacity C3	10 A 10/1000 μ s	Surge current-carrying capacity D1	0.5 kA 10/350 μ s
Volume resistance	1.8 Ω 10 %		

Further details of approvals

GOST certificate	GOST-Zertifikat
------------------	-----------------

Connection data

Type of connection	Screw connection	Tightening torque, min.	0.5 Nm
Tightening torque, max.	0.8 Nm	Clamping range, min.	0.5 mm ²
Clamping range, max.	4 mm ²	Wire cross-section, solid, min.	0.5 mm ²
Wire cross-section, solid, max.	6 mm ²	Conductor cross-section, flexible, AEH (DIN 46228-1), min.	0.5 mm ²
Conductor cross-section, flexible, AEH (DIN 46228-1), max.	4 mm ²	Connection cross-section, stranded, min.	0.5 mm ²
Connection cross-section, stranded, max.	4 mm ²		

Classifications

ETIM 6.0	EC000943	ETIM 7.0	EC000943
eClass 9.0	27-13-08-07	eClass 9.1	27-13-08-07
eClass 10.0	27-13-08-07	UNSPSC	30-21-19-21

Approvals

Approvals



ROHS Conform

Data sheet**VSSC
VSSC6 RS485 DP**

Weidmüller Interface GmbH & Co. KG
Klingenbergstraße 26
D-32758 Detmold
Germany
Fon: +49 5231 14-0
Fax: +49 5231 14-292083
www.weidmueller.com

Technical data**Downloads**

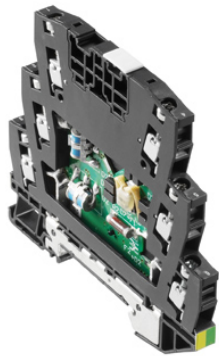
Approval/Certificate/Document of Conformity	SIL Paper CE PAPER Declaration of Conformity
Brochure/Catalogue	CAT 4.4 ELECTR 16/17 EN
Engineering Data	EPLAN, WSCAD
Engineering Data	STEP
User Documentation	Instruction sheet VSSC

Data sheet

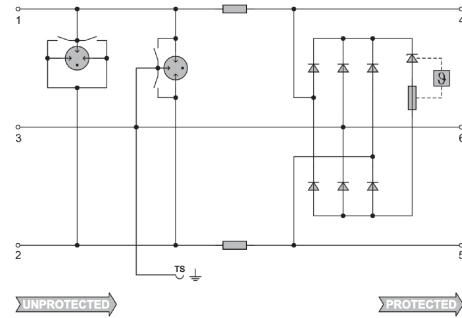
VSSC
VSSC6 RS485 DP

Weidmüller Interface GmbH & Co. KG
Klingenbergstraße 26
D-32758 Detmold
Germany
Fon: +49 5231 14-0
Fax: +49 5231 14-292083
www.weidmueller.com

Drawings



Similar to illustration

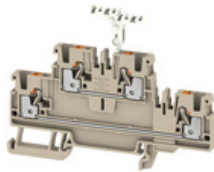


Circuit diagram



Data sheet**VSSC
VSSC6 RS485 DP**

Weidmüller Interface GmbH & Co. KG
Klingenbergstraße 26
D-32758 Detmold
Germany
Fon: +49 5231 14-0
Fax: +49 5231 14-292083
www.weidmueller.com

Accessories**SnapMark**

SnapMark - this tag carrier has been developed specifically for the I-series double-level terminal IDK 1.5N. The flexible pivot mechanism allows cross-connections to be easily installed or removed. It can hold four DEK 5 labelling tags or two WS 10/5 Middle connector markers.

General ordering data

Type	SNAPMARK I	Version
Order No.	1805880000	Group markers, Terminal marker, 23 x 5 mm, Pitch in mm (P): 5.00
GTIN (EAN)	4032248273614	Weidmueller, white
Qty.	50 pc(s).	