

**Industrial Ethernet  
IE-BSC-V14M-LCD-MM-C**

**Weidmüller Interface GmbH & Co. KG**  
Klingenbergstraße 26  
D-32758 Detmold  
Germany  
Fon: +49 5231 14-0  
Fax: +49 5231 14-292083  
www.weidmueller.com



PushPull plug-in connector set according to IEC  
61076-3-117 ver.14 (PROFINET), metal incl. LC insert

**General ordering data**

Type	IE-BSC-V14M-LCD-MM-C
Order No.	<a href="#">1062610000</a>
Version	Flange FO, IP67, Variant 14 central cable gland, LC Duplex coupling, Multimode
GTIN (EAN)	4032248813322
Qty.	10 pc(s).

Creation date May 1, 2020 2:50:09 PM CEST

Catalogue status 17.04.2020 / We reserve the right to make technical changes.

**Industrial Ethernet  
IE-BSC-V14M-LCD-MM-C**

**Weidmüller Interface GmbH & Co. KG**  
 Klingenbergstraße 26  
 D-32758 Detmold  
 Germany  
 Fon: +49 5231 14-0  
 Fax: +49 5231 14-292083  
 www.weidmueller.com

**Technical data****Dimensions and weights**

Width	39.6 mm	Width (inches)	1.559 inch
Height	39.6 mm	Height (inches)	1.559 inch
Depth	33 mm	Depth (inches)	1.299 inch
Net weight	52.9 g		

**Temperatures**

Operating temperature, max.	70 °C	Operating temperature, min.	-40 °C
Operating temperature	-40 °C...70 °C		

**Environmental Product Compliance**

REACH SVHC	Lead 7439-92-1
------------	----------------

**General data**

Colour	Miscellaneous	Connection 1	LC Duplex
Connection 2	LC Duplex	Description of article	Variant 14 central cable gland, LC Duplex coupling
Fibre type	Multimode	Housing main material	Zinc diecast
Insertion loss	≤ 0.4 dB	Plugging cycles	500
Protection degree	IP67	Return loss (attenuation)	≥ 30 dB
Seal material	NBR		

**General standards**

Connector standard	IEC 61076-3-117 Var. 14, IEC 61754-20
--------------------	--

**Classifications**

ETIM 6.0	EC001122	ETIM 7.0	EC001122
eClass 9.0	19-17-01-22	eClass 9.1	19-17-01-22
eClass 10.0	19-17-01-22		

**Approvals**

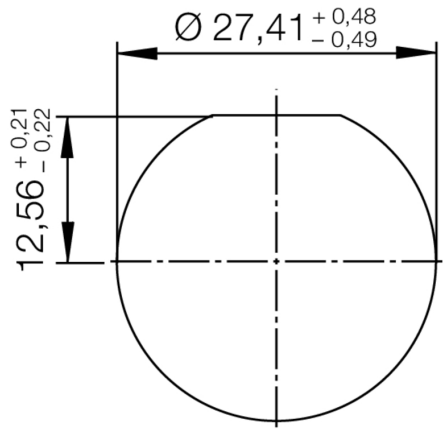
ROHS	Conform
------	---------

**Downloads**

Brochure/Catalogue	<a href="#">CAT 9 IETH 18/19 EN</a> <a href="#">FL FIELDWIRING EN</a> <a href="#">PI PROFINET CABLING EN</a>
Engineering Data	<a href="#">WSCAD</a>
User Documentation	<a href="#">MAN IE GUIDE DE</a> <a href="#">MAN IE GUIDE EN</a> <a href="#">Designation key / Type key</a>

**Data sheet****Industrial Ethernet  
IE-BSC-V14M-LCD-MM-C**

**Weidmüller Interface GmbH & Co. KG**  
Klingenbergstraße 26  
D-32758 Detmold  
Germany  
Fon: +49 5231 14-0  
Fax: +49 5231 14-292083  
[www.weidmueller.com](http://www.weidmueller.com)

**Drawings****Installation cut-out**

**Industrial Ethernet  
IE-BSC-V14M-LCD-MM-C**

**Weidmüller Interface GmbH & Co. KG**  
Klingenbergstraße 26  
D-32758 Detmold  
Germany  
Fon: +49 5231 14-0  
Fax: +49 5231 14-292083  
www.weidmueller.com

**Accessories****Dust caps**

For protecting your devices against dust and dirt.

**Dust caps****General ordering data**

Type	IE-BP-V14P	Version
Order No.	<a href="#">1058310000</a>	Flange-mounted housing, protective cap
GTIN (EAN)	4032248799404	
Qty.	10 pc(s).	