

**Industrial Ethernet
IE-BSC-V14M-RJ45-C**

Weidmüller Interface GmbH & Co. KG
Klingenbergstraße 26
D-32758 Detmold
Germany
Fon: +49 5231 14-0
Fax: +49 5231 14-292083
www.weidmueller.com



PushPull plug-in connector set according to IEC
61076-3-117 ver.14 (PROFINET), metal incl. RJ45 insert

General ordering data

| | |
|------------|--|
| Type | IE-BSC-V14M-RJ45-C |
| Order No. | 1058250000 |
| Version | Flange RJ45, IP67, Variant 14 metal, RJ45-RJ45 coupler, Central locking flange with RJ45 adapter, Cat.6 _A / Class E _A (ISO/IEC 11801 2010) |
| GTIN (EAN) | 4032248799350 |
| Qty. | 10 pc(s). |

Creation date May 1, 2020 12:34:53 PM CEST

Catalogue status 17.04.2020 / We reserve the right to make technical changes.

**Industrial Ethernet
IE-BSC-V14M-RJ45-C**

Weidmüller Interface GmbH & Co. KG
 Klingenbergstraße 26
 D-32758 Detmold
 Germany
 Fon: +49 5231 14-0
 Fax: +49 5231 14-292083
 www.weidmueller.com

Technical data**Dimensions and weights**

| | |
|------------|----------|
| Net weight | 73.535 g |
|------------|----------|

Temperatures

| | | | |
|-----------------------------|----------------|-----------------------------|--------|
| Operating temperature, max. | 70 °C | Operating temperature, min. | -40 °C |
| Operating temperature | -40 °C...70 °C | | |

Environmental Product Compliance

| | |
|------------|----------------|
| REACH SVHC | Lead 7439-92-1 |
|------------|----------------|

General data

| | | | |
|------------------------|---|-----------------------|--|
| Connection 1 | RJ45 | Connection 2 | RJ45 |
| Description of article | Variant 14 metal, RJ45-RJ45 coupler, Central locking flange with RJ45 adapter | Seal material | NBR |
| Housing main material | Zinc diecast | Category | Cat.6 _A / Class E _A (ISO/IEC 11801 2010) |
| Contact surface | Gold over nickel | Sheath diameter, min. | 5 mm |
| Sheath diameter, max. | 10 mm | Type of mounting | Central cable gland |
| Shielding | 360° all-round enclosure | Protection degree | IP67 |
| Plugging cycles | 750 | | |

General standards

| | | | |
|-------------------------|---------|--------------------|---|
| Certificate no. (cULus) | E316369 | Connector standard | IEC 61076-3-117 Var. 14, IEC 60603-7-51 |
|-------------------------|---------|--------------------|---|

Classifications

| | | | |
|-------------|-------------|------------|-------------|
| ETIM 6.0 | EC001121 | ETIM 7.0 | EC001121 |
| eClass 9.0 | 27-44-03-90 | eClass 9.1 | 27-44-03-90 |
| eClass 10.0 | 27-44-03-90 | | |

Approvals

Approvals



| | |
|------|---------|
| ROHS | Conform |
|------|---------|

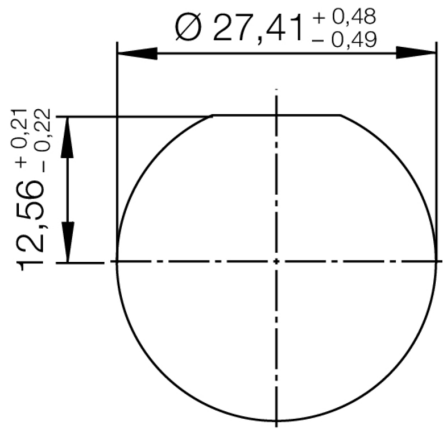
Downloads

| | |
|---|--|
| Approval/Certificate/Document of Conformity | PROFINET Manufacturer's Declaration |
| Brochure/Catalogue | CAT 9 IETH 18/19 EN FL FIELDWIRING EN PI PROFINET CABLING EN |
| Engineering Data | WSCAD |
| User Documentation | MAN IE GUIDE DE MAN IE GUIDE EN Designation key / Type key |

Creation date May 1, 2020 12:34:53 PM CEST

**Industrial Ethernet
IE-BSC-V14M-RJ45-C**

Weidmüller Interface GmbH & Co. KG
Klingenbergstraße 26
D-32758 Detmold
Germany
Fon: +49 5231 14-0
Fax: +49 5231 14-292083
www.weidmueller.com

Drawings**Installation cut-out**

**Industrial Ethernet
IE-BSC-V14M-RJ45-C**

Weidmüller Interface GmbH & Co. KG
Klingenbergstraße 26
D-32758 Detmold
Germany
Fon: +49 5231 14-0
Fax: +49 5231 14-292083
www.weidmueller.com

Accessories**Dust caps**

For protecting your devices against dust and dirt.

Dust caps**General ordering data**

| | | |
|------------|----------------------------|--|
| Type | IE-BP-V14P | Version |
| Order No. | 1058310000 | Flange-mounted housing, protective cap |
| GTIN (EAN) | 4032248799404 | |
| Qty. | 10 pc(s). | |