

**Industrial Ethernet  
IE-BHC-V14M-RJA**

**Weidmüller Interface GmbH & Co. KG**  
Klingenbergstraße 26  
D-32758 Detmold  
Germany  
Fon: +49 5231 14-0  
Fax: +49 5231 14-292083  
www.weidmueller.com



PushPull plug-in connector according to IEC  
61076-3-117 var.14 (PROFINET) in metal, empty  
enclosure for hybrid plug-in connectors

**General ordering data**

|            |                            |
|------------|----------------------------|
| Type       | IE-BHC-V14M-RJA            |
| Order No.  | <a href="#">1047950000</a> |
| Version    | Empty enclosure            |
| GTIN (EAN) | 4032248784493              |
| Qty.       | 10 pc(s).                  |

Creation date May 1, 2020 11:22:51 AM CEST

Catalogue status 17.04.2020 / We reserve the right to make technical changes.

## Data sheet

### Industrial Ethernet IE-BHC-V14M-RJA

**Weidmüller Interface GmbH & Co. KG**  
 Klingenbergstraße 26  
 D-32758 Detmold  
 Germany  
 Fon: +49 5231 14-0  
 Fax: +49 5231 14-292083  
 www.weidmueller.com

## Technical data

### Dimensions and weights

|            |         |                 |            |
|------------|---------|-----------------|------------|
| Width      | 39.6 mm | Width (inches)  | 1.559 inch |
| Height     | 39.6 mm | Height (inches) | 1.559 inch |
| Depth      | 34.7 mm | Depth (inches)  | 1.366 inch |
| Net weight | 53.4 g  |                 |            |

### Temperatures

|                             |                |                             |        |
|-----------------------------|----------------|-----------------------------|--------|
| Operating temperature, max. | 70 °C          | Operating temperature, min. | -40 °C |
| Operating temperature       | -40 °C...70 °C |                             |        |

### Environmental Product Compliance

|            |                |
|------------|----------------|
| REACH SVHC | Lead 7439-92-1 |
|------------|----------------|

### General data

|                       |               |                 |  |
|-----------------------|---------------|-----------------|--|
| Colour                |               | Configuration   | Plug housing with labelling tag holder: 9*11 mm; suitable for holding RJ45 and fibre-optic inserts |
|                       | Miscellaneous |                 |  |
| Housing main material | Zinc diecast  | Plugging cycles | 750  |
| Protection degree     | IP67          | Seal material   | NBR  |

### General standards

|                         |         |                    |                         |
|-------------------------|---------|--------------------|-------------------------|
| Certificate no. (cULus) | E316369 | Connector standard | IEC 61076-3-117 Var. 14 |
|-------------------------|---------|--------------------|-------------------------|

### Classifications

|             |             |            |             |
|-------------|-------------|------------|-------------|
| ETIM 6.0    | EC001031    | ETIM 7.0   | EC001031    |
| eClass 9.0  | 27-18-27-02 | eClass 9.1 | 27-18-27-02 |
| eClass 10.0 | 27-18-27-02 | UNSPSC     | 30-21-18-01 |

### Approvals

Approvals



|      |         |
|------|---------|
| ROHS | Conform |
|------|---------|

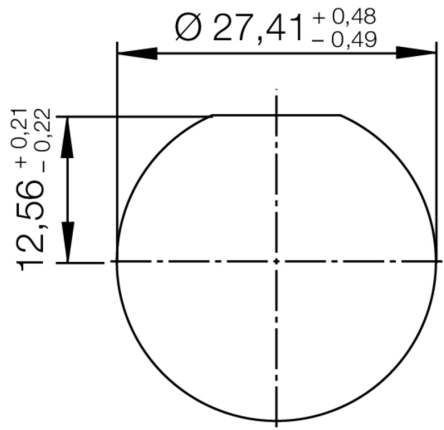
### Downloads

|   |  |
|---|--|
| Approval/Certificate/Document of Conformity | <a href="#">DUXR.E316369</a>   |
| Brochure/Catalogue                          | <a href="#">CAT 9 IETH 18/19 EN</a><br><a href="#">FL FIELDWIRING EN</a><br><a href="#">PI PROFINET CABLING EN</a> |
| Engineering Data                            | <a href="#">WSCAD</a>  |
| User Documentation                          | <a href="#">MAN IE GUIDE DE</a><br><a href="#">MAN IE GUIDE EN</a><br><a href="#">Designation key / Type key</a>   |

Creation date May 1, 2020 11:22:51 AM CEST

**Industrial Ethernet  
IE-BHC-V14M-RJA**

**Weidmüller Interface GmbH & Co. KG**  
Klingenbergstraße 26  
D-32758 Detmold  
Germany  
Fon: +49 5231 14-0  
Fax: +49 5231 14-292083  
[www.weidmueller.com](http://www.weidmueller.com)

**Drawings****Installation cut-out**

## Industrial Ethernet IE-BHC-V14M-RJA

**Weidmüller Interface GmbH & Co. KG**  
 Klingenbergstraße 26  
 D-32758 Detmold  
 Germany  
 Fon: +49 5231 14-0  
 Fax: +49 5231 14-292083  
 www.weidmueller.com

# Accessories

## USB



FrontCom® Vario integrates multiple functions in only one single frame. The system is easy to install and you can select from a wide range of data, signal and power modules. In addition to being extremely compact, FrontCom® Vario offers a number of unique product features that will make your project planning and work activities secure, fast and future-proof. Furthermore, the FrontCom® Vario system has an attractive housing design that, by the way, offers highest impact-resistance and fully meets the requirements of IP 65 protection class.

### General ordering data

|            |                            |                                   |  |
|------------|----------------------------|-----------------------------------|--|
| Type       | IE-BI-USB-A                | Version                           |  |
| Order No.  | <a href="#">1019570000</a> | USB insert, Flange insert, type A |  |
| GTIN (EAN) | 4032248731602              |                                   |  |
| Qty.       | 10 pc(s).                  |                                   |  |

## Hybrid



Hybrid, 10-pole. Inserts for plug-in connectors ver. 1 /4 /5 /14

### General ordering data

|            |                            |                               |  |
|------------|----------------------------|-------------------------------|--|
| Type       | IE-BIC-HYB-P-0,5-300       | Version                       |  |
| Order No.  | <a href="#">1096150000</a> | Crimp contact, Flange, Hybrid |  |
| GTIN (EAN) | 4032248869114              |                               |  |
| Qty.       | 300 pc(s).                 |                               |  |
| Type       | IE-BI-HYB-10P              | Version                       |  |
| Order No.  | <a href="#">1069010000</a> | Flange insert, Hybrid         |  |
| GTIN (EAN) | 4032248823970              |                               |  |
| Qty.       | 10 pc(s).                  |                               |  |

## Industrial Ethernet IE-BHC-V14M-RJA

**Weidmüller Interface GmbH & Co. KG**  
 Klingenbergstraße 26  
 D-32758 Detmold  
 Germany  
 Fon: +49 5231 14-0  
 Fax: +49 5231 14-292083  
 www.weidmueller.com

# Accessories

## RJ45



FrontCom® Vario integrates multiple functions in only one single frame. The system is easy to install and you can select from a wide range of data, signal and power modules. In addition to being extremely compact, FrontCom® Vario offers a number of unique product features that will make your project planning and work activities secure, fast and future-proof. Furthermore, the FrontCom® Vario system has an attractive housing design that, by the way, offers highest impact-resistance and fully meets the requirements of IP 65 protection class.

### General ordering data

|            |                            |  |
|------------|----------------------------|--|
| Type       | IE-BI-RJ45-FJ-B            | Version  |
| Order No.  | <a href="#">1963840000</a> | RJ45 insert socket, Connector for base, TIA-568B |
| GTIN (EAN) | 4032248651894              |  |
| Qty.       | 10 pc(s).                  |  |
| Type       | IE-BI-RJ45-FJ-P            | Version  |
| Order No.  | <a href="#">1963830000</a> | RJ45 insert socket, Connector for base, PROFINET |
| GTIN (EAN) | 4032248646159              |  |
| Qty.       | 10 pc(s).                  |  |
| Type       | IE-BI-RJ45-FJ-A            | Version  |
| Order No.  | <a href="#">1962850000</a> | RJ45 insert socket, Connector for base, TIA-568A |
| GTIN (EAN) | 4032248645053              |  |
| Qty.       | 10 pc(s).                  |  |
| Type       | IE-BI-RJ45-C               | Version  |
| Order No.  | <a href="#">1962840000</a> | RJ45 insert socket, Bulkhead inserts coupler     |
| GTIN (EAN) | 4032248645046              |  |
| Qty.       | 1 pc(s).                   |  |

## IE fastening tool



The mounting tool helps you to tighten the locknut when mounting the flange of version 04.

### Comments:

- Standard tool
- made from tough plastic

### General ordering data

|            |                            |               |
|------------|----------------------------|---------------|
| Type       | IE-FISP-V4                 | Version       |
| Order No.  | <a href="#">9204370000</a> | Mounting tool |
| GTIN (EAN) | 4032248660780              |               |
| Qty.       | 2 pc(s).                   |               |