

**Crimping contact
HDC C HX SM2.5AG**

Weidmüller Interface GmbH & Co. KG
Klingenbergstraße 26
D-32758 Detmold
Germany
Fon: +49 5231 14-0
Fax: +49 5231 14-292083
www.weidmueller.com



Crimps provide a electrical and mechanical connection between wire and contact that is both secure and reliable. The optimal crimp connection is gas-tight and corrosion-resistant.

General ordering data

Type	HDC C HX SM2.5AG
Order No.	1002920000
Version	Heavy-duty connectors, Crimp contact, MixMate, Pin, Conductor cross-section, max.: 2.5, turned, Copper alloy
GTIN (EAN)	4032248697106
Qty.	25 pc(s).

Creation date May 1, 2020 3:54:09 AM CEST

Catalogue status 17.04.2020 / We reserve the right to make technical changes.

Data sheet

**Crimping contact
HDC C HX SM2.5AG**

Weidmüller Interface GmbH & Co. KG
 Klingenbergstraße 26
 D-32758 Detmold
 Germany
 Fon: +49 5231 14-0
 Fax: +49 5231 14-292083
 www.weidmueller.com

Technical data

Dimensions and weights

Net weight	3.104 g	Diameter	6 mm
------------	---------	----------	------

Environmental Product Compliance

REACH SVHC	Lead 7439-92-1
------------	----------------

General data

Contact diameter, male Ø	4 mm	Cross-section for connected wire	2.5 mm ²
Material	Copper alloy	Plugging cycles	≥ 500
Production methods	turned	Stripping length, rated connection	8 mm
Surface finish	silver	Type	Pin
Type of connection	Crimp connection	Version insert	MixMate
Volume resistance	≤ 1 mΩ		

Classifications

ETIM 6.0	EC000796	ETIM 7.0	EC000796
eClass 9.0	27-44-02-04	eClass 9.1	27-44-02-04
eClass 10.0	27-44-02-04	UNSPSC	30-21-18-01

Approvals

Approvals



ROHS	Conform
------	---------

Downloads

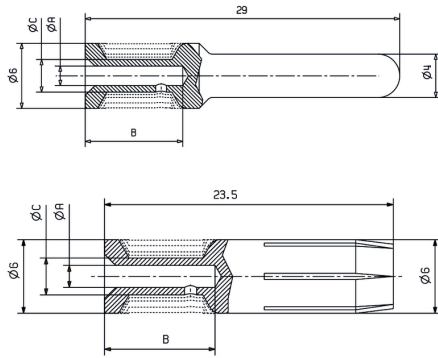
Brochure/Catalogue	CAT 3 HDC 17/18 EN FL FIELDWIRING EN
Engineering Data	EPLAN_WSCAD
Engineering Data	STEP

Data sheet

**Crimping contact
HDC C HX SM2.5AG**

Weidmüller Interface GmbH & Co. KG
Klingenbergstraße 26
D-32758 Detmold
Germany
Fon: +49 5231 14-0
Fax: +49 5231 14-292083
www.weidmueller.com

Drawings



Data sheet

**Crimping contact
HDC C HX SM2.5AG**

Weidmüller Interface GmbH & Co. KG
 Klingenbergstraße 26
 D-32758 Detmold
 Germany
 Fon: +49 5231 14-0
 Fax: +49 5231 14-292083
 www.weidmueller.com

Accessories

CTIN / CTX



Crimping tools for turned contacts

- Ratchet guarantees precise crimping
- Release option in the event of incorrect operation
- With stop for exact positioning of the contacts.

General ordering data

Type	CTIN CM 3.6	Version
Order No.	9205440000	Crimping tool for contacts, 1.5mm ² , 10mm ² , 4-indent crimp
GTIN (EAN)	4032248734146	
Qty.	1 pc(s).	
Type	CTIN CM 1.6/2.5	Version
Order No.	9205430000	Pressing tool, Crimping tool for contacts, 0.14mm ² , 6mm ² , 4-indent crimp
GTIN (EAN)	4032248733446	
Qty.	1 pc(s).	