

Accessories
TS 35X7.5/LL/6 2M/ST/ZN**Weidmüller Interface GmbH & Co. KG**
Klingenbergstraße 26
D-32758 Detmold
Germany
Fon: +49 5231 14-0
Fax: +49 5231 14-292083
www.weidmueller.com**Product image**

Similar to illustration

General ordering data

| | |
|------------|---|
| Type | TS 35X7.5/LL/6 2M/ST/ZN |
| Order No. | 0514570000 |
| Version | Rail, TS 35, TS 35 x 7.5, with slot, Steel, galvanic zinc plated and passivated |
| GTIN (EAN) | 4008 190980009 |
| Qty. | 2 m |

Creation date May 1, 2020 12:30:37 AM CEST

Catalogue status 17.04.2020 / We reserve the right to make technical changes.

Data sheet

Accessories TS 35X7.5/LL/6 2M/ST/ZN

Weidmüller Interface GmbH & Co. KG
 Klingenbergstraße 26
 D-32758 Detmold
 Germany
 Fon: +49 5231 14-0
 Fax: +49 5231 14-292083
 www.weidmueller.com

Technical data

Dimensions and weights

| | | | |
|------------|--------|-----------------|------------|
| Width | 35 mm | Width (inches) | 1.378 inch |
| Height | 35 mm | Height (inches) | 1.378 inch |
| Depth | 7.5 mm | Depth (inches) | 0.295 inch |
| Net weight | 155 g | | |

Mounting rail

| | | | |
|---------------------------------|--------|---|--------------------|
| Drill-hole diameter | 5.2 mm | Short circuit strength corresponds to E-Cu wire | 16 mm ² |
| Slit gap | 7 mm | Slit length | 18 mm |
| Slit width | 6.2 mm | Slotted drill holes | Yes |
| Solder eyelet hole diameter (D) | 5.2 mm | Spacing of holes, centre-to-centre | 25 mm |
| Thickness | 1 mm | | |

Classifications

| | | | |
|-------------|-------------|------------|-------------|
| ETIM 6.0 | EC001285 | ETIM 7.0 | EC001285 |
| eClass 9.0 | 27-40-06-02 | eClass 9.1 | 27-40-06-02 |
| eClass 10.0 | 27-40-06-02 | | |

Approvals

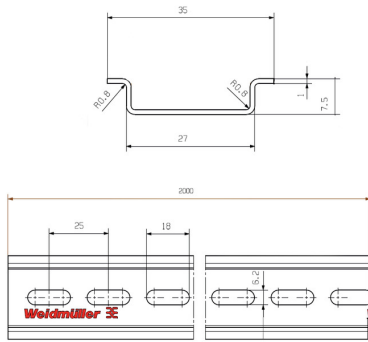
| | |
|------|---------|
| ROHS | Conform |
|------|---------|

Downloads

| | |
|--------------------|---|
| Brochure/Catalogue | CAT 1 TERM 16/17 EN |
| Engineering Data | EPLAN, WSCAD, Zuken E3.S |
| Engineering Data | STEP |
| User Documentation | StorageConditionsTerminalBlocks |

Data sheet**Accessories**
TS 35X7.5/LL/6 2M/ST/ZN

Weidmüller Interface GmbH & Co. KG
Klingenbergstraße 26
D-32758 Detmold
Germany
Fon: +49 5231 14-0
Fax: +49 5231 14-292083
www.weidmueller.com

Drawings

Accessories
TS 35X7.5/LL/6 2M/ST/ZN

Weidmüller Interface GmbH & Co. KG
Klingenbergstraße 26
D-32758 Detmold
Germany
Fon: +49 5231 14-0
Fax: +49 5231 14-292083
www.weidmueller.com

Accessories

End bracket



Klippon® Connect with clamping yoke Technology
The high reliability and variety of designs of the terminal blocks with clamping yoke connections make planning easier and optimises operational safety. Klippon® Connect provides a proven response to a range of different requirements.

General ordering data

| | | |
|------------|----------------------------|--------------------------|
| Type | EW 35/SCHA/M3 | Version |
| Order No. | 0258660000 | Accessories, End bracket |
| GTIN (EAN) | 4008190033477 | |
| Qty. | 20 pc(s). | |
| Type | EW 35 | Version |
| Order No. | 0383560000 | Accessories, End bracket |
| GTIN (EAN) | 4008190181314 | |
| Qty. | 50 pc(s). | |
| Type | EW 35 GR 7032 | Version |
| Order No. | 0383530000 | Accessories, End bracket |
| GTIN (EAN) | 4008190027322 | |
| Qty. | 50 pc(s). | |

TS 35 end caps



General ordering data

| | | |
|------------|----------------------------|--|
| Type | TS END CAP 35X7.5 | Version |
| Order No. | 1283470000 | Accessories, Cover cap, End plate, Polypropylene |
| GTIN (EAN) | 4050118078701 | |
| Qty. | 100 pc(s). | |

Accessories TS 35X7.5/LL/6 2M/ST/ZN

Weidmüller Interface GmbH & Co. KG
 Klingenbergstraße 26
 D-32758 Detmold
 Germany
 Fon: +49 5231 14-0
 Fax: +49 5231 14-292083
 www.weidmueller.com

Accessories

End brackets



Klippon® Connect with clamping yoke Technology

The high reliability and variety of designs of the terminal blocks with clamping yoke connections make planning easier and optimises operational safety. Klippon® Connect provides a proven response to a range of different requirements.

General ordering data

| | | |
|------------|----------------------------|-----------------------|
| Type | WEW 35/1 | Version |
| Order No. | 1059000000 | W-Series, End bracket |
| GTIN (EAN) | 4008190172282 | |
| Qty. | 50 pc(s). | |
| Type | WEW 35/2 | Version |
| Order No. | 1061200000 | W-Series, End bracket |
| GTIN (EAN) | 4008190030230 | |
| Qty. | 100 pc(s). | |

Railholder



Shielding and earthing

Our protective earth conductor and shielding terminals featuring different connection technologies allow you to effectively protect both people and equipment from interference, such as electrical or magnetic fields. A comprehensive range of accessories rounds off our range.

General ordering data

| | | |
|------------|----------------------------|----------------------------------|
| Type | SH 2 | Version |
| Order No. | 0494920000 | Accessories, Rail support, KrG |
| GTIN (EAN) | 4008190007584 | |
| Qty. | 10 pc(s). | |
| Type | WSH 5 | Version |
| Order No. | 1080100000 | Accessories, Rail support, Wemid |
| GTIN (EAN) | 4008190965143 | |
| Qty. | 10 pc(s). | |
| Type | WSH 3/H/N | Version |
| Order No. | 1715970000 | Accessories, Rail support, Wemid |
| GTIN (EAN) | 4008190353100 | |
| Qty. | 10 pc(s). | |
| Type | WSH 6 | Version |
| Order No. | 1080200000 | Accessories, Rail support, Wemid |
| GTIN (EAN) | 4008190965150 | |
| Qty. | 10 pc(s). | |

Accessories TS 35X7.5/LL/6 2M/ST/ZN

Weidmüller Interface GmbH & Co. KG
 Klingenbergstraße 26
 D-32758 Detmold
 Germany
 Fon: +49 5231 14-0
 Fax: +49 5231 14-292083
 www.weidmueller.com

Accessories

| | | |
|------------|----------------------------|--|
| Type | WSH 1 | Version |
| Order No. | 1068700000 | Accessories, Rail support, PA 66 GF 30 |
| GTIN (EAN) | 4008190118389 | |
| Qty. | 10 pc(s). | |

Adapters for rail mounting



Clip on and use!

From the circuit board in the control cabinet: snap-on or mounting feet form the link between plug-in connectors and terminal rails.

Compatible with all standard sizes: TS 15 or TS 35.
 Combination foot or variations available.

The quick alternative to screw connections: unbeatable ease of installation and service.

The mounting foot for the terminal rails allows the universal use of pluggable connection systems on the module, the enclosure and the control cabinet and avoids patchwork solutions.

General ordering data

| | | |
|------------|----------------------------|--|
| Type | MOFU 35/LO/1 | Version |
| Order No. | 0646260000 | Accessories, Mounting foot, Polyamide 66 |
| GTIN (EAN) | 4008190178574 | |
| Qty. | 20 pc(s). | |

Screwing



Klippon® Connect with clamping yoke Technology

The high reliability and variety of designs of the terminal blocks with clamping yoke connections make planning easier and optimises operational safety. Klippon® Connect provides a proven response to a range of different requirements.

General ordering data

| | | |
|------------|----------------------------|---|
| Type | FKSC M5X8 D9/SW2.5 | Version |
| Order No. | 0295900000 | SAK Series, Allen hex screw, Screws, Number of poles: 1 |
| GTIN (EAN) | 4008190133337 | |
| Qty. | 50 pc(s). | |

Accessories
TS 35X7.5/LL/6 2M/ST/ZN

Weidmüller Interface GmbH & Co. KG
Klingenbergstraße 26
D-32758 Detmold
Germany
Fon: +49 5231 14-0
Fax: +49 5231 14-292083
www.weidmueller.com

Accessories

Terminal rail support



General ordering data

| | | |
|------------|---------------------------|---|
| Type | TST 2/M5 | Version |
| Order No. | 128660000 | Accessories, Mounting rail support, Steel |
| GTIN (EAN) | 4008190144777 | |
| Qty. | 10 pc(s). | |
| Type | TST 2/M6 | Version |
| Order No. | 010170000 | Accessories, Mounting rail support, Steel |
| GTIN (EAN) | 4008190069254 | |
| Qty. | 10 pc(s). | |
| Type | TSTW 5/M5 ZN | Version |
| Order No. | 177910000 | Accessories, Mounting rail support, Steel |
| GTIN (EAN) | 4032248169894 | |
| Qty. | 10 pc(s). | |
| Type | TSTW 5/M5 | Version |
| Order No. | 017810000 | Accessories, Mounting rail support, Steel |
| GTIN (EAN) | 4008190059651 | |
| Qty. | 10 pc(s). | |
| Type | TSTW D 4.3 | Version |
| Order No. | 161011000 | Accessories, Mounting rail support, Steel |
| GTIN (EAN) | 4008190185305 | |
| Qty. | 10 pc(s). | |
| Type | TSTW 6/M6 | Version |
| Order No. | 016400000 | Accessories, Mounting rail support, Steel |
| GTIN (EAN) | 4008190095345 | |
| Qty. | 10 pc(s). | |

Accessories
TS 35X7.5/LL/6 2M/ST/ZN

Weidmüller Interface GmbH & Co. KG
Klingenbergstraße 26
D-32758 Detmold
Germany
Fon: +49 5231 14-0
Fax: +49 5231 14-292083
www.weidmueller.com

Accessories

Assembly foot



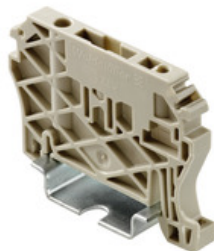
Shielding and earthing

Our protective earth conductor and shielding terminals featuring different connection technologies allow you to effectively protect both people and equipment from interference, such as electrical or magnetic fields. A comprehensive range of accessories rounds off our range.

General ordering data

| | | |
|------------|----------------------------|--|
| Type | FM 4/TS35 | Version |
| Order No. | 0687900000 | Accessories, Mounting foot, Steel, bright finish |
| GTIN (EAN) | 4008190086459 | |
| Qty. | 40 pc(s). | |

End brackets



Spring connection with tension clamp Technology

Tension clamp technology is a universal contact system for all common conductor connection types. Its fantastic level of flexibility makes the tension clamp a profitable alternative connection.

General ordering data

| | | |
|------------|----------------------------|-----------------------|
| Type | ZEW 35/2 | Version |
| Order No. | 8630740000 | Z-series, End bracket |
| GTIN (EAN) | 4032248348916 | |
| Qty. | 20 pc(s). | |
| Type | ZEW 35 | Version |
| Order No. | 9540000000 | Z-series, End bracket |
| GTIN (EAN) | 4008190956264 | |
| Qty. | 20 pc(s). | |