

TBF (polyester empty enclosure) TBF 19/15/14 TRSP

Weidmüller Interface GmbH & Co. KG
Klingenbergstraße 26
D-32758 Detmold
Germany
Fon: +49 5231 14-0
Fax: +49 5231 14-292083
www.weidmueller.com



Polyester housings The housings of the TBF series are made of extremely tough glass fibre-reinforced polyester. These enclosures are ideal for applications that call for low weight coupled with high shock resistance. The weather-resistant TBF enclosures are designed for a wide range of applications. Together with their comprehensive range of accessories, they provide universal solutions for accommodating built-in items such as regulators, measuring instruments, valves and other equipment.

Features:

- 9 sizes in 2 versions
- cover with nylon screws
- fixing holes outside the sealed area
- Thread for fitting to terminal rails and mounting plates
- Comprehensive accessories Weidmüller can manufacture and supply this housing to match customer specifications, fitted with all necessary terminals and cable glands.

General ordering data

Type	TBF 19/15/14 TRSP
Order No.	0500500000
Version	TBF (polyester empty enclosure), Empty enclosure, Height: 186 mm, Width: 151 mm, Depth: 140 mm, Material: Glass fibre-reinforced polyester, Light Grey, Transparent
GTIN (EAN)	4032248043828
Qty.	1 pc(s).

**TBF (polyester empty enclosure)
TBF 19/15/14 TRSP**

Weidmüller Interface GmbH & Co. KG
Klingenbergstraße 26
D-32758 Detmold
Germany
Fon: +49 5231 14-0
Fax: +49 5231 14-292083
www.weidmueller.com

Technical data
Dimensions and weights

Width	151 mm	Width (inches)	5.945 inch
Height	186 mm	Height (inches)	7.323 inch
Depth	140 mm	Depth (inches)	5.512 inch
Weight	1,055 g	Net weight	810 g

Cable glands, right

M12	11	M16	6
M20	2	M25	2
M32	1	M40	1

Cable glands, top/bottom

M12	11	M16	6
M20	2	M25	2
M32	1	M40	1

General information

Areas of use	Building systems and technology, Transportation, Packaging industry, Machine construction	Standards	IEC 60529, EN 60529, EN 62208, EN/IEC 61439-2
Torque for lid screws	1.5 Nm	Toxicity	Free from halogens
UL 94 flammability rating	V-2	Material	Glass fibre-reinforced polyester
Seal material	Polyurethane	Operating temperature, min.	-50 °C
Operating temperature, max.	130 °C	Impact resistance	IK08 in accordance with IEC 62208, IK10 in accordance with IEC 62262
Protection degree	IP66	Enclosure attachment	6.5 mm hole in enclosure base
Lid attachment	Crosshead nylon screws	Integral fixing	4 or 6 stud bolts M6 inner (female) thread

General information on accessories

Material	Glass fibre-reinforced polyester
----------	----------------------------------

horizontal assembly

WDU 10 / ZDU 10	1x9	WDU 16 / ZDU 16	1x6
WDU 2,5 / ZDU 2,5 / IDU 2,5	1x18	WDU 35 / ZDU 35	1x5
WDU 4 / ZDU 4	1x15	WDU 6 / ZDU 6	1x11

vertical assembly

WDU 10 / ZDU 10	1x6	WDU 16 / ZDU 16	1x4
WDU 2,5 / ZDU 2,5 / IDU 2,5	1x11	WDU 35 / ZDU 35	1x3
WDU 4 / ZDU 4	1x9	WDU 6 / ZDU 6	1x7

Data sheet

**TBF (polyester empty enclosure)
TBF 19/15/14 TRSP**

Weidmüller Interface GmbH & Co. KG
 Klingenbergstraße 26
 D-32758 Detmold
 Germany
 Fon: +49 5231 14-0
 Fax: +49 5231 14-292083
 www.weidmueller.com

Technical data

Classifications

ETIM 6.0	EC000261	ETIM 7.0	EC000261
eClass 9.0	27-18-01-01	eClass 9.1	27-18-92-90
eClass 10.0	27-18-01-01	UNSPSC	31-26-15-02

Approvals

Approvals



ROHS Conform

Downloads

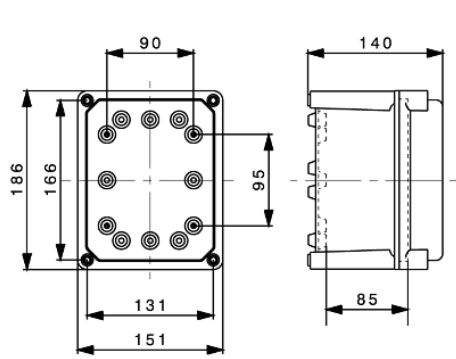
Brochure/Catalogue	CAT 5 ENCL 17/18 EN
Engineering Data	EPLAN_WSCAD
Engineering Data	STEP

Data sheet

**TBF (polyester empty enclosure)
TBF 19/15/14 TRSP**

Weidmüller Interface GmbH & Co. KG
Klingenbergstraße 26
D-32758 Detmold
Germany
Fon: +49 5231 14-0
Fax: +49 5231 14-292083
www.weidmueller.com

Drawings



**TBF (polyester empty enclosure)
TBF 19/15/14 TRSP**

Weidmüller Interface GmbH & Co. KG
Klingenbergstraße 26
D-32758 Detmold
Germany
Fon: +49 5231 14-0
Fax: +49 5231 14-292083
www.weidmueller.com

Accessories

External fixing lugs



Polyester housings The housings of the TBF series are made of extremely tough glass fibre-reinforced polyester. These enclosures are ideal for applications that call for low weight coupled with high shock resistance. The weather-resistant TBF enclosures are designed for a wide range of applications. Together with their comprehensive range of accessories, they provide universal solutions for accommodating built-in items such as regulators, measuring instruments, valves and other equipment.

Features:

- 9 sizes in 2 versions
- cover with nylon screws
- fixing holes outside the sealed area
- Thread for fitting to terminal rails and mounting plates
- Comprehensive accessories Weidmüller can manufacture and supply this housing to match customer specifications, fitted with all necessary terminals and cable glands.

General ordering data

Type	MF TBF	Version	
Order No.	0360800000	TBF (polyester empty enclosure), Mounting foot, Fixing lugs, Material:	
GTIN (EAN)	4008190108595	Polyamide, Deep black	
Qty.	1 pc(s).		

Klippon® POK earthing stud



Integrate, expand and customise - the perfect supplement to every application

The consistent structure of system accessories for the Klippon® POK enclosure range allows you to easily adapt the enclosure to meet the specific requirements of every application.

The range includes:

- Mounting plates
- Earthing plates
- Mounting feet

Our assembly service includes the delivery of the enclosure ready to be connected and suitable for every application.

General ordering data

Type	PEBZ M10 S4 SET	Version	
Order No.	1283440000	Klippon POK (polyester empty enclosure), Earthing stud,	
GTIN (EAN)	4050118073362	Miscellaneous, Material: Stainless steel 1.4404 (316L)	
Qty.	1 pc(s).		

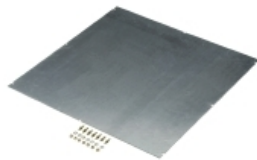
TBF (polyester empty enclosure) TBF 19/15/14 TRSP

Weidmüller Interface GmbH & Co. KG
 Klingenbergstraße 26
 D-32758 Detmold
 Germany
 Fon: +49 5231 14-0
 Fax: +49 5231 14-292083
 www.weidmueller.com

Accessories

Type	PEBZ M6 BR SET	Version
Order No.	1277250000	Klippon POK (polyester empty enclosure), Earthing stud,
GTIN (EAN)	4050118067149	Miscellaneous, Material: Brass
Qty.	1 pc(s).	
Type	PEBZ M6 S4 SET	Version
Order No.	1283430000	Klippon POK (polyester empty enclosure), Earthing stud,
GTIN (EAN)	4050118073607	Miscellaneous, Material: Stainless steel 1.4404 (316L)
Qty.	1 pc(s).	
Type	PEBZ M10 BR SET	Version
Order No.	1277220000	Klippon POK (polyester empty enclosure), Earthing stud,
GTIN (EAN)	4050118067019	Miscellaneous, Material: Brass
Qty.	1 pc(s).	

Mounting plate



Polyester housings The housings of the TBF series are made of extremely tough glass fibre-reinforced polyester. These enclosures are ideal for applications that call for low weight coupled with high shock resistance. The weather-resistant TBF enclosures are designed for a wide range of applications. Together with their comprehensive range of accessories, they provide universal solutions for accommodating built-in items such as regulators, measuring instruments, valves and other equipment.

Features:

- 9 sizes in 2 versions
- cover with nylon screws
- fixing holes outside the sealed area
- Thread for fitting to terminal rails and mounting plates
- Comprehensive accessories Weidmüller can manufacture and supply this housing to match customer specifications, fitted with all necessary terminals and cable glands.

General ordering data

Type	MP TBF 19/15	Version
Order No.	9502720000	TBF (polyester empty enclosure), Mounting plate, Mounting plate,
GTIN (EAN)	4032248002139	Height: 134 mm, Width: 99 mm, Depth: 2 mm, Material: Sheet steel,
Qty.	1 pc(s).	galvanized, silver

Data sheet

**TBF (polyester empty enclosure)
TBF 19/15/14 TRSP**

Weidmüller Interface GmbH & Co. KG
Klingenbergstraße 26
D-32758 Detmold
Germany
Fon: +49 5231 14-0
Fax: +49 5231 14-292083
www.weidmueller.com

Accessories

Compensating Element



Pressure-compensation elements ensure good ventilation of the enclosure and prevent the build-up of condensation while maintaining the appropriate IP class of protection.

General ordering data

Type	DAE M12 PA LONG	Version
Order No.	1868570000	DAE (ventilation element), Compensating element, M 12, 10 mm,
GTIN (EAN)	4032248440429	IP66, IP68, IP69K, Polyamide 6
Qty.	10 pc(s).	
Type	DAE M12 SS	Version
Order No.	1868550000	DAE (ventilation element), Compensating element, M 12, 10 mm,
GTIN (EAN)	4032248440405	IP66, IP68, IP69K, Stainless steel 1.4305 (303)
Qty.	10 pc(s).	