

## TBF (polyester empty enclosure) TBF 30/30/18 7035

**Weidmüller Interface GmbH & Co. KG**  
Klingenbergstraße 26  
D-32758 Detmold  
Germany  
Fon: +49 5231 14-0  
Fax: +49 5231 14-292083  
www.weidmueller.com



**Polyester housings** The housings of the TBF series are made of extremely tough glass fibre-reinforced polyester. These enclosures are ideal for applications that call for low weight coupled with high shock resistance. The weather-resistant TBF enclosures are designed for a wide range of applications. Together with their comprehensive range of accessories, they provide universal solutions for accommodating built-in items such as regulators, measuring instruments, valves and other equipment.

#### Features:

- 9 sizes in 2 versions
- cover with nylon screws
- fixing holes outside the sealed area
- Thread for fitting to terminal rails and mounting plates
- Comprehensive accessories Weidmüller can manufacture and supply this housing to match customer specifications, fitted with all necessary terminals and cable glands.

#### General ordering data

Type	TBF 30/30/18 7035
Order No.	<a href="#">0360300000</a>
Version	TBF (polyester empty enclosure), Empty enclosure, Height: 302 mm, Width: 302 mm, Depth: 175 mm, Material: Glass fibre-reinforced polyester, Light Grey
GTIN (EAN)	4032248002153
Qty.	1 pc(s).

**TBF (polyester empty enclosure)  
TBF 30/30/18 7035**

**Weidmüller Interface GmbH & Co. KG**  
Klingenbergstraße 26  
D-32758 Detmold  
Germany  
Fon: +49 5231 14-0  
Fax: +49 5231 14-292083  
www.weidmueller.com

**Technical data****Dimensions and weights**

Width	302 mm	Width (inches)	11.89 inch
Height	302 mm	Height (inches)	11.89 inch
Depth	175 mm	Depth (inches)	6.89 inch
Weight	2,270 g	Net weight	2,420 g

**Cable glands, right**

M12	44	M16	24
M20	20	M25	10
M32	4	M40	3
M50	3	M63	2

**Cable glands, top/bottom**

M12	44	M16	24
M20	20	M25	10
M32	4	M40	3
M50	3	M63	2

**General information**

Areas of use	Building systems and technology, Transportation, Packaging industry, Machine construction	Standards	IEC 60529, EN 60529, EN 62208, EN/IEC 61439-2
Torque for lid screws	1.5 Nm	Toxicity	Free from halogens
UL 94 flammability rating	HB	Material	Glass fibre-reinforced polyester
Seal material	Polyurethane	Operating temperature, min.	-50 °C
Operating temperature, max.	130 °C	Impact resistance	IK08 in accordance with IEC 62208, IK10 in accordance with IEC 62262
Protection degree	IP67	Enclosure attachment	6.5 mm hole in enclosure base
Lid attachment	Crosshead nylon screws	Integral fixing	4 or 6 stud bolts M6 inner (female) thread

**General information on accessories**

Material	Glass fibre-reinforced polyester
----------	----------------------------------

**horizontal assembly**

WDU 10 / ZDU 10	1x22	WDU 16 / ZDU 16	1x16
WDU 2,5 / ZDU 2,5 / IDU 2,5	1x44	WDU 35 / ZDU 35	1x14
WDU 4 / ZDU 4	1x37	WDU 6 / ZDU 6	1x28

**vertical assembly**

WDU 10 / ZDU 10	2x22	WDU 16 / ZDU 16	2x16
WDU 2,5 / ZDU 2,5 / IDU 2,5	2x44	WDU 35 / ZDU 35	2x14
WDU 4 / ZDU 4	2x37	WDU 6 / ZDU 6	2x28

**Data sheet**

**TBF (polyester empty enclosure)  
TBF 30/30/18 7035**

**Weidmüller Interface GmbH & Co. KG**  
Klingenbergstraße 26  
D-32758 Detmold  
Germany  
Fon: +49 5231 14-0  
Fax: +49 5231 14-292083  
www.weidmueller.com

**Technical data**

**Classifications**

ETIM 6.0	EC000261	ETIM 7.0	EC000261
eClass 9.0	27-18-01-01	eClass 9.1	27-18-92-90
eClass 10.0	27-18-01-01	UNSPSC	31-26-15-02

**Approvals**

Approvals



ROHS Conform

**Downloads**

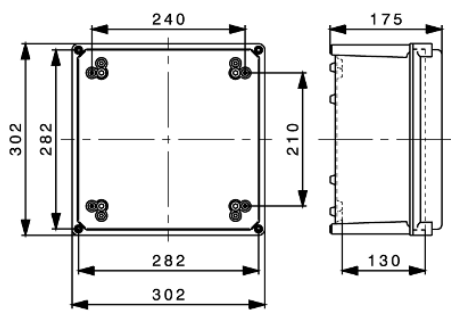
Brochure/Catalogue	<a href="#">CAT 5 ENCL 17/18 EN</a>
Engineering Data	<a href="#">EPLAN_WSCAD</a>
Engineering Data	<a href="#">STEP</a>

**Data sheet**

**TBF (polyester empty enclosure)  
TBF 30/30/18 7035**

**Weidmüller Interface GmbH & Co. KG**  
Klingenbergstraße 26  
D-32758 Detmold  
Germany  
Fon: +49 5231 14-0  
Fax: +49 5231 14-292083  
www.weidmueller.com

**Drawings**



**TBF (polyester empty enclosure)  
TBF 30/30/18 7035**

**Weidmüller Interface GmbH & Co. KG**  
Klingenbergstraße 26  
D-32758 Detmold  
Germany  
Fon: +49 5231 14-0  
Fax: +49 5231 14-292083  
www.weidmueller.com

**Accessories**
**External fixing lugs**


**Polyester housings** The housings of the TBF series are made of extremely tough glass fibre-reinforced polyester. These enclosures are ideal for applications that call for low weight coupled with high shock resistance. The weather-resistant TBF enclosures are designed for a wide range of applications. Together with their comprehensive range of accessories, they provide universal solutions for accommodating built-in items such as regulators, measuring instruments, valves and other equipment.

**Features:**

- 9 sizes in 2 versions
- cover with nylon screws
- fixing holes outside the sealed area
- Thread for fitting to terminal rails and mounting plates
- Comprehensive accessories Weidmüller can manufacture and supply this housing to match customer specifications, fitted with all necessary terminals and cable glands.

**General ordering data**

Type	MF TBF	Version	
Order No.	<a href="#">0360800000</a>	TBF (polyester empty enclosure), Mounting foot, Fixing lugs, Material:	
GTIN (EAN)	4008190108595	Polyamide, Deep black	
Qty.	1 pc(s).		

**Klippon® POK earthing stud**

**Integrate, expand and customise - the perfect supplement to every application**

The consistent structure of system accessories for the Klippon® POK enclosure range allows you to easily adapt the enclosure to meet the specific requirements of every application.

The range includes:

- Mounting plates
- Earthing plates
- Mounting feet

Our assembly service includes the delivery of the enclosure ready to be connected and suitable for every application.

**General ordering data**

Type	PEBZ M10 S4 SET	Version	
Order No.	<a href="#">1283440000</a>	Klippon POK (polyester empty enclosure), Earthing stud,	
GTIN (EAN)	4050118073362	Miscellaneous, Material: Stainless steel 1.4404 (316L)	
Qty.	1 pc(s).		

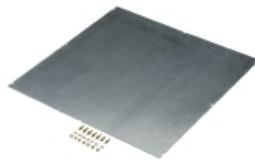
## TBF (polyester empty enclosure) TBF 30/30/18 7035

**Weidmüller Interface GmbH & Co. KG**  
 Klingenbergstraße 26  
 D-32758 Detmold  
 Germany  
 Fon: +49 5231 14-0  
 Fax: +49 5231 14-292083  
 www.weidmueller.com

## Accessories

Type	PEBZ M6 BR SET	Version
Order No.	<a href="#">1277250000</a>	Klippon POK (polyester empty enclosure), Earthing stud,
GTIN (EAN)	4050118067149	Miscellaneous, Material: Brass
Qty.	1 pc(s).	
Type	PEBZ M6 S4 SET	Version
Order No.	<a href="#">1283430000</a>	Klippon POK (polyester empty enclosure), Earthing stud,
GTIN (EAN)	4050118073607	Miscellaneous, Material: Stainless steel 1.4404 (316L)
Qty.	1 pc(s).	
Type	PEBZ M10 BR SET	Version
Order No.	<a href="#">1277220000</a>	Klippon POK (polyester empty enclosure), Earthing stud,
GTIN (EAN)	4050118067019	Miscellaneous, Material: Brass
Qty.	1 pc(s).	

## Mounting plate



**Polyester housings** The housings of the TBF series are made of extremely tough glass fibre-reinforced polyester. These enclosures are ideal for applications that call for low weight coupled with high shock resistance. The weather-resistant TBF enclosures are designed for a wide range of applications. Together with their comprehensive range of accessories, they provide universal solutions for accommodating built-in items such as regulators, measuring instruments, valves and other equipment.

### Features:

- 9 sizes in 2 versions
- cover with nylon screws
- fixing holes outside the sealed area
- Thread for fitting to terminal rails and mounting plates
- Comprehensive accessories Weidmüller can manufacture and supply this housing to match customer specifications, fitted with all necessary terminals and cable glands.

## General ordering data

Type	MP TBF 30/30	Version
Order No.	<a href="#">9502730000</a>	TBF (polyester empty enclosure), Mounting plate, Mounting plate,
GTIN (EAN)	4032248002146	Height: 249 mm, Width: 249 mm, Depth: 2 mm, Material: Sheet steel,
Qty.	1 pc(s).	galvanized, silver

## TBF (polyester empty enclosure) TBF 30/30/18 7035

**Weidmüller Interface GmbH & Co. KG**  
 Klingenbergstraße 26  
 D-32758 Detmold  
 Germany  
 Fon: +49 5231 14-0  
 Fax: +49 5231 14-292083  
 www.weidmueller.com

# Accessories

## Compensating Element



Pressure-compensation elements ensure good ventilation of the enclosure and prevent the build-up of condensation while maintaining the appropriate IP class of protection.

### General ordering data

Type	DAE M12 PA LONG	Version
Order No.	<a href="#">1868570000</a>	DAE (ventilation element), Compensating element, M 12, 10 mm,
GTIN (EAN)	4032248440429	IP66, IP68, IP69K, Polyamide 6
Qty.	10 pc(s).	
Type	DAE M12 SS	Version
Order No.	<a href="#">1868550000</a>	DAE (ventilation element), Compensating element, M 12, 10 mm,
GTIN (EAN)	4032248440405	IP66, IP68, IP69K, Stainless steel 1.4305 (303)
Qty.	10 pc(s).	