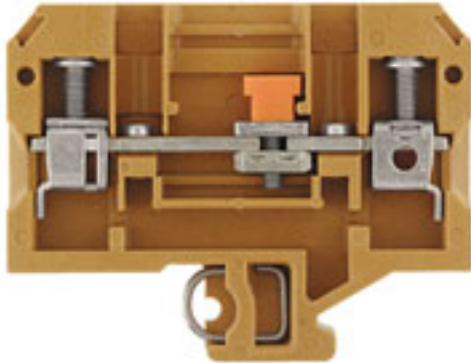


**SAK Series**  
**SAKT 1/LT**

**Weidmüller Interface GmbH & Co. KG**  
Klingenbergstraße 26  
D-32758 Detmold  
Germany  
Fon: +49 5231 14-0  
Fax: +49 5231 14-292083  
www.weidmueller.com

**Product image****Klippon® Connect with clamping yoke Technology**

The high reliability and variety of designs of the terminal blocks with clamping yoke connections make planning easier and optimises operational safety. Klippon® Connect provides a proven response to a range of different requirements.

**General ordering data**

Type	SAKT 1/LT
Order No.	<a href="#">0269 120000</a>
Version	SAK Series, Test-disconnect terminal, Rated cross-section: 6 mm <sup>2</sup> , Screw connection, medium yellow, Direct mounting
GTIN (EAN)	4008 190185978
Qty.	50 pc(s).

Creation date April 30, 2020 9:53:28 PM CEST

Catalogue status 17.04.2020 / We reserve the right to make technical changes.

**SAK Series**  
**SAKT 1/LT**

**Weidmüller Interface GmbH & Co. KG**  
 Klingenbergstraße 26  
 D-32758 Detmold  
 Germany  
 Fon: +49 5231 14-0  
 Fax: +49 5231 14-292083  
 www.weidmueller.com

**Technical data****Dimensions and weights**

Width	8 mm	Width (inches)	0.315 inch
Height	65 mm	Height (inches)	2.559 inch
Depth	52.5 mm	Depth (inches)	2.067 inch
Net weight	25.4 g		

**Temperatures**

Storage temperature, max.	40 °C	Storage temperature, min.	10 °C
Storage temperature	10 °C...40 °C	Continuous operating temp., min.	-60 °C
Continuous operating temp., max.	130 °C		

**Material data**

Material	KrG	Colour	medium yellow
UL 94 flammability rating	V-0, 5VA		

**System specifications**

Version	Screw connection, Special terminal longitudinal isolator, One end without connector	End cover plate required	Yes
Number of potentials	1	Number of levels	1
Number of clamping points per level	2	Number of potentials per tier	1
Levels cross-connected internally	No	PE connection	No
Rail	TS 32	N-function	No
PE function	No	PEN function	No

**Additional technical data**

Explosion-tested version	No	Installation advice	Direct mounting
Number of similar terminals	1	Open sides	right
Type of mounting	Snap-on		

**CSA rating data**

Certificate No. (CSA)	12400-198	Current size C (CSA)	25 A
Voltage size C (CSA)	300 V	Wire cross section max. (CSA)	8 AWG
Wire cross section min. (CSA)	26 AWG		

**SAK Series**  
**SAKT 1/LT**

**Weidmüller Interface GmbH & Co. KG**  
 Klingenbergstraße 26  
 D-32758 Detmold  
 Germany  
 Fon: +49 5231 14-0  
 Fax: +49 5231 14-292083  
 www.weidmueller.com

**Technical data****Conductors for clamping (rated connection)**

Blade size	4.0 x 0.8 mm	Clamping range, max.	10 mm <sup>2</sup>
Clamping range, min.	0.13 mm <sup>2</sup>	Clamping screw	M 3.5
Connection cross-section, stranded, max.	10 mm <sup>2</sup>	Connection cross-section, stranded, min.	1.5 mm <sup>2</sup>
Connection direction	on side	Gauge to IEC 60947-1	A5
Number of connections	2	Stripping length	12 mm
Tightening torque, max.	1.6 Nm	Tightening torque, min.	0.8 Nm
Torque level with DMS electric screwdriver	3	Type of connection	Screw connection
Wire connection cross section AWG, max.	AWG 8	Wire connection cross section AWG, min.	AWG 26
Wire connection cross section, finely stranded, max.	6 mm <sup>2</sup>	Wire connection cross-section, finely stranded with wire-end ferrules DIN 46228/1, max.	6 mm <sup>2</sup>
Wire connection cross-section, finely stranded with wire-end ferrules DIN 46228/1, min.	0.5 mm <sup>2</sup>	Wire connection cross-section, finely stranded, min.	0.5 mm <sup>2</sup>
Wire connection cross-section, solid core, max.	10 mm <sup>2</sup>	Wire connection cross-section, solid core, min.	0.5 mm <sup>2</sup>

**Disconnect terminals**

Cross-disconnect	without	Integral test socket	No
Slitting	sliding		

**Rating data**

Rated cross-section	6 mm <sup>2</sup>	Rated voltage	400 V
Rated current	41 A	Current at maximum wires	57 A
Standards	IEC 60947-7-1	Volume resistance according to IEC 60947-7-x	0.78 mΩ
Power loss in accordance with IEC 60947-7-x	1.31 W	Rated impulse withstand voltage	6 kV
Pollution severity	3		

**UL rating data**

Certificate No. (UR)	E60693	Conductor size Factory wiring max. (UR)	8 AWG
Conductor size Factory wiring min. (UR)	26 AWG	Conductor size Field wiring max. (UR)	8 AWG
Conductor size Field wiring min. (UR)	22 AWG	Current size C (UR)	25 A
Voltage size C (UR)	300 V		

**Classifications**

ETIM 6.0	EC000902	ETIM 7.0	EC000902
eClass 9.0	27-14-11-26	eClass 9.1	27-14-11-26
eClass 10.0	27-14-11-26	UNSPSC	30-21-18-11

**Approvals**

Approvals



ROHS

Conform

Creation date April 30, 2020 9:53:28 PM CEST

Catalogue status 17.04.2020 / We reserve the right to make technical changes.

3

**Data sheet****SAK Series  
SAKT 1/LT**

**Weidmüller Interface GmbH & Co. KG**  
Klingenbergstraße 26  
D-32758 Detmold  
Germany  
Fon: +49 5231 14-0  
Fax: +49 5231 14-292083  
www.weidmueller.com

**Technical data****Downloads**

Approval/Certificate/Document of Conformity	<a href="#">DE_PT1344_20160418_620_ISSUE01.pdf</a>
Engineering Data	<a href="#">EPLAN, WSCAD</a>
User Documentation	<a href="#">StorageConditionsTerminalBlocks</a>

**Safety note**

Safety notice	<a href="#">Safety Information</a>
---------------	------------------------------------

## SAK Series SAKT 1/LT

**Weidmüller Interface GmbH & Co. KG**  
 Klingenbergstraße 26  
 D-32758 Detmold  
 Germany  
 Fon: +49 5231 14-0  
 Fax: +49 5231 14-292083  
 www.weidmueller.com

# Accessories

## QL / SAK 6N



### Klippon® Connect with clamping yoke Technology

The high reliability and variety of designs of the terminal blocks with clamping yoke connections make planning easier and optimises operational safety. Klippon® Connect provides a proven response to a range of different requirements.

### General ordering data

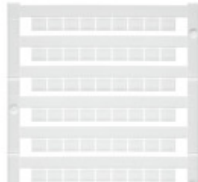
Type	QL 4 SAK6N	Version
Order No.	<a href="#">0194500000</a>	SAK Series, Cross-connector, for cross-connection link, Number of
GTIN (EAN)	4008190025601	poles: 4
Qty.	50 pc(s).	
Type	QL 2 SAK6N	Version
Order No.	<a href="#">0194300000</a>	SAK Series, Cross-connector, for cross-connection link, Number of
GTIN (EAN)	4008190182854	poles: 2
Qty.	50 pc(s).	
Type	QL 10 SAK6N	Version
Order No.	<a href="#">0338300000</a>	SAK Series, Cross-connector, for cross-connection link, Number of
GTIN (EAN)	4008190176679	poles: 10
Qty.	20 pc(s).	
Type	QL 15 SAK6N	Version
Order No.	<a href="#">0221200000</a>	SAK Series, Cross-connector, for cross-connection link, Number of
GTIN (EAN)	4008190042110	poles: 15
Qty.	10 pc(s).	
Type	QL 3 SAK6N	Version
Order No.	<a href="#">0194400000</a>	SAK Series, Cross-connector, for cross-connection link, Number of
GTIN (EAN)	4008190063351	poles: 3
Qty.	50 pc(s).	

**SAK Series  
SAKT 1/LT**

**Weidmüller Interface GmbH & Co. KG**  
 Klingenbergstraße 26  
 D-32758 Detmold  
 Germany  
 Fon: +49 5231 14-0  
 Fax: +49 5231 14-292083  
 www.weidmueller.com

**Accessories**

**Blank**



The Dekafix (DEK) marker is the universal marker for all conductor and plug-in connectors as well as for electronic sub-assemblies. The system is ideal for short number sequences and covers a wide range of ready-printed markers.

Strips for fast installation in only one work step. The printing is easy to read, rich in contrast and available in various widths.

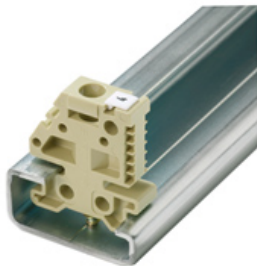
- Large range of ready-to-use markers
- Strips for fast installation
- Terminal markers, suitable for all Weidmüller cable connectors
- Available as blank MultiCard or with standard printing

**For custom printing:** Please send us a file of our labeling software M-Print PRO or M-Print PRO Online (without installation) for your labeling specifications.

**General ordering data**

Type	DEK 5/6.5 MC NE WS	Version
Order No.	<a href="#">1609840000</a>	Dekafix, Terminal marker, 5 x 6.5 mm, Pitch in mm (P): 6.50
GTIN (EAN)	4008190203429	Weidmueller, white
Qty.	900 pc(s).	

**End bracket**



**Klippon® Connect with clamping yoke Technology**

The high reliability and variety of designs of the terminal blocks with clamping yoke connections make planning easier and optimises operational safety. Klippon® Connect provides a proven response to a range of different requirements.

**General ordering data**

Type	EWK 1	Version
Order No.	<a href="#">0206160000</a>	Accessories, End bracket
GTIN (EAN)	4008190080020	
Qty.	50 pc(s).	
Type	EW 15	Version
Order No.	<a href="#">0382860000</a>	Accessories, End bracket
GTIN (EAN)	4008190187804	
Qty.	50 pc(s).	
Type	EW 15/2	Version
Order No.	<a href="#">1071900000</a>	Accessories, End bracket
GTIN (EAN)	4008190462949	
Qty.	50 pc(s).	

## SAK Series SAKT 1/LT

**Weidmüller Interface GmbH & Co. KG**  
 Klingenbergstraße 26  
 D-32758 Detmold  
 Germany  
 Fon: +49 5231 14-0  
 Fax: +49 5231 14-292083  
 www.weidmueller.com

## Accessories

Type	EW 35/SCHA/M3	Version
Order No.	<a href="#">0258660000</a>	Accessories, End bracket
GTIN (EAN)	4008190033477	
Qty.	20 pc(s).	
Type	EWK 2	Version
Order No.	<a href="#">0199360000</a>	Accessories, End bracket
GTIN (EAN)	4008190023546	
Qty.	50 pc(s).	
Type	EW 35	Version
Order No.	<a href="#">0383560000</a>	Accessories, End bracket
GTIN (EAN)	4008190181314	
Qty.	50 pc(s).	
Type	EW 35 GR 7032	Version
Order No.	<a href="#">0383530000</a>	Accessories, End bracket
GTIN (EAN)	4008190027322	
Qty.	50 pc(s).	
Type	EWK 1 ALT	Version
Order No.	<a href="#">0495160000</a>	Accessories, End bracket
GTIN (EAN)	4008190160777	
Qty.	50 pc(s).	
Type	WEW 32/1	Version
Order No.	<a href="#">1067600000</a>	W-Series, End bracket
GTIN (EAN)	4008190099657	
Qty.	50 pc(s).	

## Test plug



### Current and voltage transformer wiring

Our test disconnect terminal blocks featuring spring and screw connection technology allow you to create all the important converter circuits for measuring current, voltage and power in a safe and sophisticated way.

## General ordering data

Type	PS 4 F.STB 4	Version
Order No.	<a href="#">0299600000</a>	Accessories, Test plug
GTIN (EAN)	4008190074043	
Qty.	20 pc(s).	

**SAK Series  
SAKT 1/LT**

**Weidmüller Interface GmbH & Co. KG**  
 Klingenbergstraße 26  
 D-32758 Detmold  
 Germany  
 Fon: +49 5231 14-0  
 Fax: +49 5231 14-292083  
 www.weidmueller.com

**Accessories**

**Shorting plug**



**Current and voltage transformer wiring**

Our test disconnect terminal blocks featuring spring and screw connection technology allow you to create all the important converter circuits for measuring current, voltage and power in a safe and sophisticated way.

**General ordering data**

Type	QS 2/8/4	Version
Order No.	<a href="#">0270960000</a>	SAK Series, Short-circuit plug, For the terminals, Number of poles: 2
GTIN (EAN)	4008190077006	
Qty.	20 pc(s).	

**End brackets**



**Klippon® Connect with clamping yoke Technology**

The high reliability and variety of designs of the terminal blocks with clamping yoke connections make planning easier and optimises operational safety. Klippon® Connect provides a proven response to a range of different requirements.

**General ordering data**

Type	WEW 35/1	Version
Order No.	<a href="#">1059000000</a>	W-Series, End bracket
GTIN (EAN)	4008190172282	
Qty.	50 pc(s).	
Type	WEW 35/2	Version
Order No.	<a href="#">1061200000</a>	W-Series, End bracket
GTIN (EAN)	4008190030230	
Qty.	100 pc(s).	



## SAK Series SAKT 1/LT

**Weidmüller Interface GmbH & Co. KG**  
 Klingenbergstraße 26  
 D-32758 Detmold  
 Germany  
 Fon: +49 5231 14-0  
 Fax: +49 5231 14-292083  
 www.weidmueller.com

# Accessories

## Fixing screws



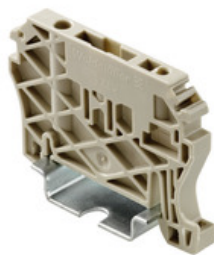
### Current and voltage transformer wiring

Our test disconnect terminal blocks featuring spring and screw connection technology allow you to create all the important converter circuits for measuring current, voltage and power in a safe and sophisticated way.

### General ordering data

Type	BS 25 IH/SW SAKT1	Version
Order No.	<a href="#">0335200000</a>	SAK Series, Set of fixings
GTIN (EAN)	4008190114039	
Qty.	50 pc(s).	
Type	BS 25 IH/RT SAKT1	Version
Order No.	<a href="#">0335500000</a>	SAK Series, Set of fixings
GTIN (EAN)	4008190118877	
Qty.	50 pc(s).	
Type	BS 25 IH/GR SAKT1	Version
Order No.	<a href="#">0335300000</a>	SAK Series, Set of fixings
GTIN (EAN)	4008190136864	
Qty.	50 pc(s).	
Type	BS 25 IH/GE SAKT1	Version
Order No.	<a href="#">0335700000</a>	SAK Series, Set of fixings
GTIN (EAN)	4008190189235	
Qty.	50 pc(s).	

## End brackets



### Spring connection with tension clamp Technology

Tension clamp technology is a universal contact system for all common conductor connection types. Its fantastic level of flexibility makes the tension clamp a profitable alternative connection.

### General ordering data

Type	ZEW 35/2	Version
Order No.	<a href="#">8630740000</a>	Z-series, End bracket
GTIN (EAN)	4032248348916	
Qty.	20 pc(s).	
Type	ZEW 15	Version
Order No.	<a href="#">7920340000</a>	Accessories, End bracket
GTIN (EAN)	4032248238910	
Qty.	20 pc(s).	

## SAK Series SAKT 1/LT

**Weidmüller Interface GmbH & Co. KG**  
 Klingenbergstraße 26  
 D-32758 Detmold  
 Germany  
 Fon: +49 5231 14-0  
 Fax: +49 5231 14-292083  
 www.weidmueller.com

## Accessories

Type	ZEW 35	Version	
Order No.	<a href="#">9540000000</a>	Version	Z-series, End bracket
GTIN (EAN)	4008190956264		
Qty.	20 pc(s).		

## End plates



### Klippon® Connect with clamping yoke Technology

The high reliability and variety of designs of the terminal blocks with clamping yoke connections make planning easier and optimises operational safety. Klippon® Connect provides a proven response to a range of different requirements.

## General ordering data

Type	TW SAKB/C/T1	Version	
Order No.	<a href="#">0242960000</a>	Version	SAK Series, Separation plate, 1.5 mm, beige, Direct mounting
GTIN (EAN)	4008190104092		
Qty.	20 pc(s).		

Type	AP SAKB/C/T KRG	Version	
Order No.	<a href="#">0146720000</a>	Version	SAK Series, End plate, 3 mm, dark beige, yellow, Direct mounting
GTIN (EAN)	4008190027995		
Qty.	20 pc(s).		

## Shorting link



### Current and voltage transformer wiring

Our test disconnect terminal blocks featuring spring and screw connection technology allow you to create all the important converter circuits for measuring current, voltage and power in a safe and sophisticated way.

## General ordering data

Type	QVS 2/S SAKT1+2	Version	
Order No.	<a href="#">0358460000</a>	Version	SAK Series, Cross-connector, Cross-connector, Number of poles: 2
GTIN (EAN)	4008190157937		
Qty.	20 pc(s).		

Type	QVS 3 SAKT1+2	Version	
Order No.	<a href="#">0329300000</a>	Version	SAK Series, Cross-connector, Cross-connector, Number of poles: 3
GTIN (EAN)	4008190084714		
Qty.	20 pc(s).		

## Data sheet

### SAK Series SAKT 1/LT

**Weidmüller Interface GmbH & Co. KG**  
 Klingenbergstraße 26  
 D-32758 Detmold  
 Germany  
 Fon: +49 5231 14-0  
 Fax: +49 5231 14-292083  
 www.weidmueller.com

## Accessories

Type	QVS 2 SAKT1+2	Version	
Order No.	<a href="#">0307300000</a>	SAK Series, Cross-connector, Cross-connector, Number of poles: 2	
GTIN (EAN)	4008190036140		
Qty.	20 pc(s).		

### Switch lock



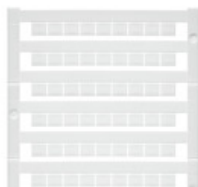
#### Current and voltage transformer wiring

Our test disconnect terminal blocks featuring spring and screw connection technology allow you to create all the important converter circuits for measuring current, voltage and power in a safe and sophisticated way.

### General ordering data

Type	SSP 3 SAKT 1	Version	
Order No.	<a href="#">0531760000</a>	SAK Series, Lockout device	
GTIN (EAN)	4008190130787		
Qty.	100 pc(s).		

### Custom printing



The Dekafix (DEK) marker is the universal marker for all conductor and plug-in connectors as well as for electronic sub-assemblies. The system is ideal for short number sequences and covers a wide range of ready-printed markers.

Strips for fast installation in only one work step. The printing is easy to read, rich in contrast and available in various widths.

- Large range of ready-to-use markers
- Strips for fast installation
- Terminal markers, suitable for all Weidmüller cable connectors
- Available as blank MultiCard or with standard printing

**For custom printing:** Please send us a file of our labeling software M-Print PRO or M-Print PRO Online (without installation) for your labeling specifications.

### General ordering data

Type	DEK 5/6.5 MC SDR	Version	
Order No.	<a href="#">1609850000</a>	Dekafix, Terminal marker, 5 x 6.5 mm, Pitch in mm (P): 6.50	
GTIN (EAN)	4008190456610	Weidmueller, To customer specification	
Qty.	180 pc(s).		

**SAK Series  
SAKT 1/LT**

**Weidmüller Interface GmbH & Co. KG**  
 Klingenbergstraße 26  
 D-32758 Detmold  
 Germany  
 Fon: +49 5231 14-0  
 Fax: +49 5231 14-292083  
 www.weidmueller.com

**Accessories**

**Connection sleeves**



VH 12/4.9/3.3 024900

**Klippon® Connect with clamping yoke Technology**

The high reliability and variety of designs of the terminal blocks with clamping yoke connections make planning easier and optimises operational safety. Klippon® Connect provides a proven response to a range of different requirements.

**General ordering data**

Type	VH 12/4.9/3.3 SAK6N	Version
Order No.	<a href="#">0249000000</a>	SAK Series, Connecting sleeve, for cross-connection link, Number of
GTIN (EAN)	4008190129507	poles:
Qty.	100 pc(s).	
Type	VH 19/6/4.2 SAKT1	Version
Order No.	<a href="#">0318000000</a>	SAK Series, Connecting sleeve, for cross-connection link, Number of
GTIN (EAN)	4008190059460	poles: 1
Qty.	50 pc(s).	