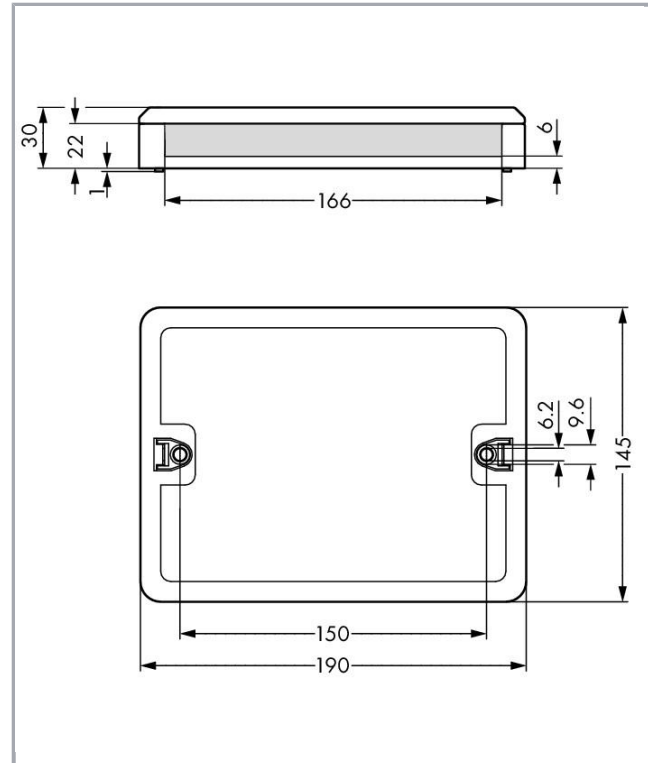
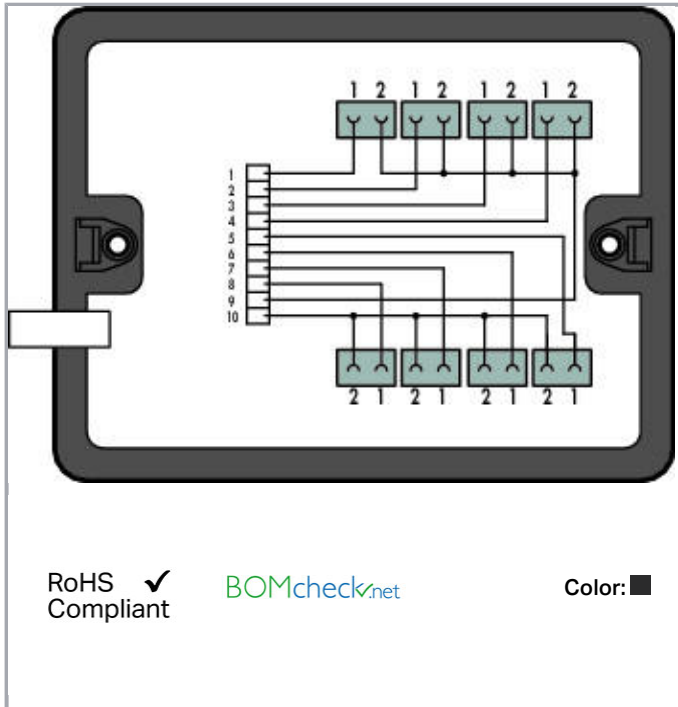


Data sheet | Item number: 899-631/454-000

Distribution box; supply cable entry; 8 outputs; Cod. B; MINI; black

www.wago.com/899-631/454-000



Item description

Die Einspeisung erfolgt mittels 10-poliger Klemmenleiste.

Mögliche Anwendung:

Ansteuerung von Ventilen

Im Lieferumfang sind eine Kabelschelle und

2 Befestigungsschrauben enthalten.

Note on mismatching protection:

All WINSTA[®] components are 100% protected against mismatching when:

- plugging different numbers of poles
- plugging while rotated 180
- plugging while laterally staggered
- plugging one pole

Subject to changes. Please also observe the further product documentation!

WAGO Kontakttechnik GmbH & Co. KG

Hansastr. 27

32423 Minden

Phone: +49571 887-0 | Fax: +49571 887-169

Email: info.de@wago.com | Web: www.wago.com

Do you have any questions about our products?

We are always happy to take your call at +49 (571) 887-44222.



Data

Electrical data

Note on Contact Resistance	approx. 1 m Ω of contact resistance approx. 0.25 m Ω contact transition plug/socket
----------------------------	---

Ratings per IEC/EN 60664-1

Ratings per	IEC/EN 60664-1
Rated voltage (III / 3)	250 V
Rated impulse voltage (III / 3)	4 kV
Rated current	6 A
Legend (ratings)	(III / 3) $\hat{=}$ Overvoltage category III / Pollution degree 3

Geometrical Data

Width	190 mm / 7.48 inch
Height	30 mm / 1.181 inch
Depth	145 mm / 5.709 inch

Mechanical data

Interne Verdrahtung	0.8 mm ²
Type of mounting	Wall, screw mount Installation on mounting plate
Protection class	IP20
Note on protection class	Only when mated (these compact connectors are not designed for use in open, easily accessible areas).

Plug connection

Mismating protection	Yes
Locking of plug-in connection	locking lever

Material Data

Color	black
Insulating material	Polyamide 66 (PA 66)
Contact material	Copper or copper alloy (surface-treated)
Weight	320.5 g

Subject to changes. Please also observe the further product documentation!


Environmental Requirements

Surrounding air (operating) temperature	-35 ... 85 °C
Processing temperature	-5 ... +40 °C
Continuous operating temperature	-35 ... +85 °C
Note on Continuous Service Temperature	Insulating parts for temperatures \leq 105 °C

Commercial data

Packaging type	BOX
Country of origin	DE
GTIN	4055143278393
Customs Tariff No.	85366990990

Counterpart

	Item no.891-8992/005-103 pre-assembled interconnecting cable; Eca; Socket/plug; 2-pole; Cod. B; Control cable 2 x 1.0 mm ² ; 1 m; 1,00 mm ² ; gray	www.wago.com/891-8992/005-103
--	--	--

	Item no.890-252 Plug; 2-pole; 1,50 mm ² ; gray	www.wago.com/890-252
---	---	--

Compatible products

assembling

Item no.: 770-680 Mounting plate; for distribution boxes	www.wago.com/770-680
--	--

Downloads

Documentation

Additional Information

899-631/454-000	doc 26.6 kB	Download
-----------------	----------------	----------

Installation Notes

Installation

Subject to changes. Please also observe the further product documentation!



Securing the mounting plate with WINSTA®
Distribution Box to the wall (e.g., via stud gun).

Product family

<i>WINSTA</i>® Boxen

WINSTA® ist das Steckverbindersystem, das optimal auf die hohen Anforderungen in der Gebäudeinstallation zugeschnitten ist. Es macht die Elektroinstallation steckbar und dadurch schnell, sicher und fehlerfrei. Dies gilt auch in weiteren Anwendungen wie z. B. im Schiffbau, in der Bahntechnik oder in der Industrie.

[Show all products from the family](#)

Subject to changes. Please also observe the further product documentation!