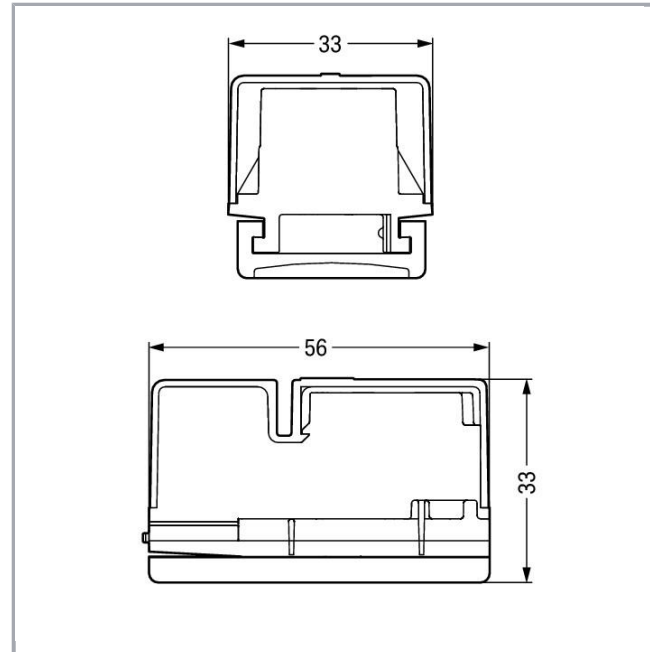


Data sheet | Item number: 896-231

Supply module; for flat cable; 3 x 2.5 mm²; 3-pole; gray

www.wago.com/896-231



Item description

- Suitable for bus and power lines or for bus and power combined in one cable
- Easy installation without line interruption due to convenient insulation displacement technology (IDC)
- WINSTA® IDC Supply and Tap-Off Modules allow connection at any location of the flat cable – one rotation per pole is all that is required

Note on mismatching protection:

All WINSTA® components are 100% protected against mismatching when:

- a.) plugging different numbers of poles
- b.) plugging while rotated 180
- c.) plugging while laterally staggered
- d.) plugging one pole

Subject to changes. Please also observe the further product documentation!

WAGO Kontakttechnik GmbH & Co. KG
Hansastr. 27
32423 Minden
Phone: +49571 887-0 | Fax: +49571 887-169
Email: info.de@wago.com | Web: www.wago.com

Do you have any questions about our products?
We are always happy to take your call at +49 (571) 887-44222.

Data

Electrical data

| | |
|----------------------------|---|
| Note on Contact Resistance | approx. 1 mΩ of contact resistance approx. 0.25 mΩ contact transition plug/socket |
|----------------------------|---|

Ratings per IEC/EN 60664-1

| | |
|---------------------------------|---|
| Ratings per | IEC/EN 60664-1 |
| Rated voltage (III / 3) | 250 V |
| Rated impulse voltage (III / 3) | 4 kV |
| Rated current | 24 A |
| Legend (ratings) | (III / 3) ≙ Overvoltage category III / Pollution degree 3 |

Connection data

| | |
|-----------------------------------|-----------------------|
| Connection technology | Screw-type connection |
| Actuation type | Operating tool |
| Connection technology 2 | IDC |
| Total number of connection points | 3 |
| Total number of potentials | 3 |
| Cross section of single conductor | 2.5 mm ² |

Geometrical Data

| | |
|--------|--------------------|
| Width | 33 mm / 1.299 inch |
| Height | 33 mm / 1.299 inch |
| Depth | 55 mm / 2.165 inch |

Mechanical data

| | |
|---|---|
| Mating force of a plug-in connection | approx. 30 ... 70 N (depending on pole number) |
| Retention force of a plug-in connection | When locked: > 80 N |
| Unmating force of a plug-in connection | when unlocked: approx. 15 ... 20 N |
| Number of mating cycles | 200, without resistive load 100, with resistive load $I_N = 25$ A, tested (4 mm ² /AWG 12) |
| Protection class | IP20 |
| Note on protection class | Only when mated (these compact connectors are not designed for use in open, easily accessible areas). |
| Suitable | for flat cable 3 x 2.5 mm ² |

Subject to changes. Please also observe the further product documentation!

Plug connection

| | |
|-------------------------------|---------------|
| Mismating protection | Yes |
| Locking of plug-in connection | locking lever |

Material Data

| | |
|---------------------|--|
| Color | gray |
| Insulating material | Polyamide 66 (PA 66) |
| Contact material | Copper or copper alloy (surface-treated) |
| Fire load | 0.864 MJ |
| Weight | 45 g |

Environmental Requirements

| | |
|--|--|
| Processing temperature | -5 ... +40 °C |
| Continuous operating temperature | -35 ... +85 °C |
| Note on Continuous Service Temperature | PVC cable for temperatures ≤ 70 °C (including halogen-free) PVC flat cable for temperatures -15 °C to ≤ 70 °C (including halogen-free) Insulating parts for temperatures ≤ 105 °C |



Commercial data

| | |
|--------------------|---------------|
| Product Group | 20 (WINSTA) |
| Packaging type | BOX |
| Country of origin | CH |
| GTIN | 4045454004194 |
| Customs Tariff No. | 85369010000 |

Counterpart

Compatible products

wiring and connectors

| | | |
|--|--|--|
|  | Item no.: 897-231 pre-assembled flat cable; Eca; 3G 2.5 mm ² ; PVC; L + PE + N; 0.6/1 kV; 2,50 mm ² ; light gray | www.wago.com/897-231 |
|  | Item no.: 897-232 pre-assembled flat cable; B2ca; 3G 2.5 mm ² ; halogen-free; L + PE + N; 0.6/1 kV; 2,50 mm ² ; light gray | www.wago.com/897-232 |

Subject to changes. Please also observe the further product documentation!



Downloads

CAD/CAE-Data

CAE data

| | | |
|---------------------------|---------------------|--------------------------|
| EPLAN Data Portal 896-231 | URL | Download |
| WSCAD Universe 896-231 | URL | Download |

Installation Notes

Product family

<i>WINSTA</i>® IDC

[Show all products from the family](#)

Subject to changes. Please also observe the further product documentation!

WAGO Kontakttechnik GmbH & Co. KG
Hansastr. 27
32423 Minden
Phone: +49571 887-0 | Fax: +49571 887-169
Email: info.de@wago.com | Web: www.wago.com

Do you have any questions about our products?
We are always happy to take your call at +49 (571) 887-44222.