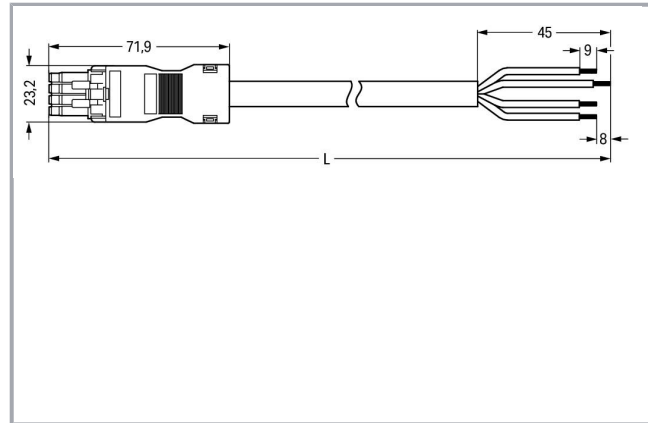
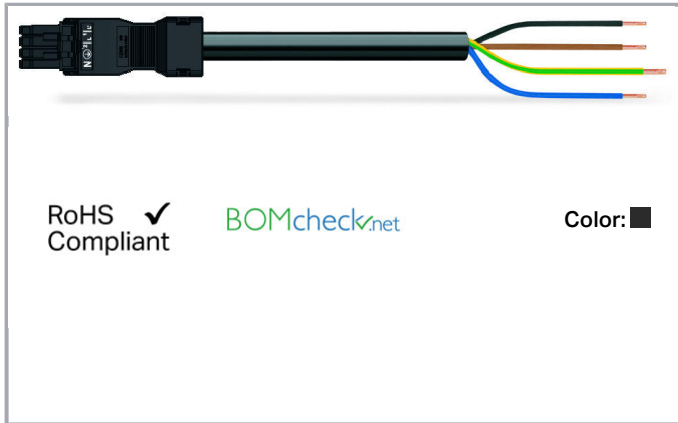


## Data sheet | Item number: 891-8994/116-301

pre-assembled connecting cable; Eca; Socket/open-ended; 4-pole; Cod. A;  
H05Z1Z1-F 4G 1.5 mm<sup>2</sup>; 3 m; 1,50 mm<sup>2</sup>; black



[www.wago.com/891-8994/116-301](http://www.wago.com/891-8994/116-301)



### Item description

- Protected against mismatching and maintenance-free
- Compact design with 4.4 mm pole spacing

### Note:

Cables with a different fire class can be found in the eShop.

### Note on mismatching protection:

All WINSTA<sup>®</sup> components are 100% protected against mismatching when:

- plugging different numbers of poles
- plugging while rotated 180
- plugging while laterally staggered
- plugging one pole

### Safety information 1:

Application note for the U.S. market (USR): Some versions may also be used for current interruption in accordance with the UL certificate in select applications with currents below 5 A and voltages up to 600 V. For further information, please contact your local sales office.

## Data

### Electrical data

Note on Contact Resistance

approx. 1 m $\Omega$  of contact resistance approx. 0.25 m $\Omega$  contact transition plug/socket

Subject to changes. Please also observe the further product documentation!

WAGO Kontakttechnik GmbH & Co. KG  
Hansastr. 27  
32423 Minden  
Phone: +49571 887-0 | Fax: +49571 887-169  
Email: [info.de@wago.com](mailto:info.de@wago.com) | Web: [www.wago.com](http://www.wago.com)

Do you have any questions about our products?  
We are always happy to take your call at +49 (571) 887-44222.

### Ratings per IEC/EN 60664-1

|                                 |   |
|---------------------------------|---|
| Ratings per                     | IEC/EN 60664-1  |
| Rated voltage (III / 3)         | 400 V   |
| Rated impulse voltage (III / 3) | 6 kV  |
| Rated current                   | 16 A  |
| Legend (ratings)                | (III / 3) ≙ Overvoltage category III / Pollution degree 3 |

### Approvals per UL 1977

|   |       |
|---|-------|
| Rated voltage per UL 1977 (factory wiring only) | 600 V |
| Rated current per UL 1977 (factory wiring only) | 12 A  |

### Connection data

|                                   |                               |
|-----------------------------------|-------------------------------|
| Strip length                      | 9 mm / 0.35 inch              |
| No. of poles                      | 4                             |
| Total number of potentials        | 4                             |
| Ground function                   | with preceding ground contact |
| Conductor preparation             | tip-bonded                    |
| Cable diameter                    | 8,4 ... 10,5 mm               |
| Cross section of single conductor | 1.5 mm <sup>2</sup>           |
| Strip length                      | 45 mm                         |
| Connection type                   | Socket - Free end             |

### Geometrical Data

|              |                     |
|--------------|---------------------|
| Pin spacing  | 4,4 mm / 0.173 inch |
| Total length | 3 m                 |

### Mechanical data

|   |   |
|---|---|
| Coding                                  | A   |
| Mating force of a plug-in connection    | approx. 20 ... 70 N (depending on pole number)  |
| Retention force of a plug-in connection | when locked: > 80N  |
| Unmating force of a plug-in connection  | when unlocked: approx. 20 ... 70 N (depending on pole number)   |
| Number of mating cycles                 | 200, without resistive load<br>100, with resistive load $I_N = 16$ A, tested (1.5mm <sup>2</sup> /AWG 16) |

Subject to changes. Please also observe the further product documentation!



|                        |                            |
|------------------------|----------------------------|
| Connection type        | Socket - free end          |
| Type of cable assembly | Connecting cable           |
| Type of cable          | H05Z1Z1-F 4G1.5            |
| Marking                | N 2/L 1/L'                 |
| Protection class       | IP40                       |
| Potential marking      | N 2/L 1/L'                 |
| Application            | General mains applications |

### Plug connection

|                               |               |
|-------------------------------|---------------|
| Mismating protection          | Yes           |
| Locking of plug-in connection | locking lever |
| Locking lever                 | no            |

### Material Data

|                                     |  |
|-------------------------------------|--|
| Color                               | black                                    |
| Insulating material                 | Polyamide 66 (PA 66)                     |
| Reaction to fire class per EN 50575 | E <sub>ca</sub>                          |
| Contact material                    | Copper or copper alloy (surface-treated) |
| Fire load                           | 5.646 MJ                                 |
| Connector color                     | black                                    |
| Printing color of mating face       | white                                    |
| Strain relief color                 | black                                    |
| Printing color of strain relief     | white                                    |
| Color of sheathed cable             | black                                    |
| Printing color of sheathed cable    | white                                    |
| Halogen-free                        | Yes                                      |
| Weight                              | 366.6 g                                  |

### Environmental Requirements

|  |   |
|--|---|
| Processing temperature                 | -5 ... +40 °C   |
| Continuous operating temperature       | -35 ... +85 °C  |
| Note on Continuous Service Temperature | PVC cable for temperatures ≤ 70 °C (including halogen-free)<br>Insulating parts for temperatures ≤ 105 °C |

### Commercial data

|                |            |
|----------------|------------|
| Packaging type | not packed |
|----------------|------------|

Subject to changes. Please also observe the further product documentation!


WAGO Kontakttechnik GmbH & Co. KG  
 Hansastr. 27  
 32423 Minden  
 Phone: +49571 887-0 | Fax: +49571 887-169  
 Email: [info.de@wago.com](mailto:info.de@wago.com) | Web: [www.wago.com](http://www.wago.com)

Do you have any questions about our products?  
 We are always happy to take your call at +49 (571) 887-44222.

|                    |               |
|--------------------|---------------|
| Country of origin  | PL            |
| GTIN               | 4055143405089 |
| Customs Tariff No. | 85444290900   |

## Approvals / Certificates

### Country specific Approvals

| Logo   | Approval                              | Additional Approval Text | Certificate name |
|--|---------------------------------------|--------------------------|------------------|
|  | KEMA/KEUR<br>DEKRA Certification B.V. | EN 61535                 | 2179129.02       |



## Counterpart

## Compatible products

### assembling

|   |  |
|---|--|
| <b>Item no.: 890-310</b><br>Mounting carrier; 2- to 5-pole; for flying leads; black | <a href="http://www.wago.com/890-310">www.wago.com/890-310</a> |
| <b>Item no.: 890-311</b><br>Mounting carrier; 2- to 5-pole; for flying leads; white | <a href="http://www.wago.com/890-311">www.wago.com/890-311</a> |

### Locking lever

|   |  |
|---|--|
| <b>Item no.: 890-101</b><br>Locking lever; for manual operation; black  | <a href="http://www.wago.com/890-101">www.wago.com/890-101</a> |
|  <b>Item no.: 890-111</b><br>Locking lever; for flying leads; for tool operation; black | <a href="http://www.wago.com/890-111">www.wago.com/890-111</a> |
| <b>Item no.: 890-121</b><br>Locking lever; for manual operation; white  | <a href="http://www.wago.com/890-121">www.wago.com/890-121</a> |
|  <b>Item no.: 890-131</b><br>Locking lever; for flying leads; for tool operation; white | <a href="http://www.wago.com/890-131">www.wago.com/890-131</a> |

## Downloads

### CAD/CAE-Data

#### CAE data

WSCAD Universe 891-8994/116-301

Subject to changes. Please also observe the further product documentation!

WAGO Kontakttechnik GmbH & Co. KG  
 Hansastr. 27  
 32423 Minden  
 Phone: +49571 887-0 | Fax: +49571 887-169  
 Email: [info.de@wago.com](mailto:info.de@wago.com) | Web: [www.wago.com](http://www.wago.com)

Do you have any questions about our products?  
 We are always happy to take your call at +49 (571) 887-44222.



[URL](#)

[Download](#)

---

## Installation Notes

## Product family

*WINSTA*® MINI

[Show all products from the family](#)

Subject to changes. Please also observe the further product documentation!

---

WAGO Kontakttechnik GmbH & Co. KG

Hansastr. 27

32423 Minden

Phone: +49571 887-0 | Fax: +49571 887-169

Email: [info.de@wago.com](mailto:info.de@wago.com) | Web: [www.wago.com](http://www.wago.com)

Do you have any questions about our products?

We are always happy to take your call at +49 (571) 887-44222.