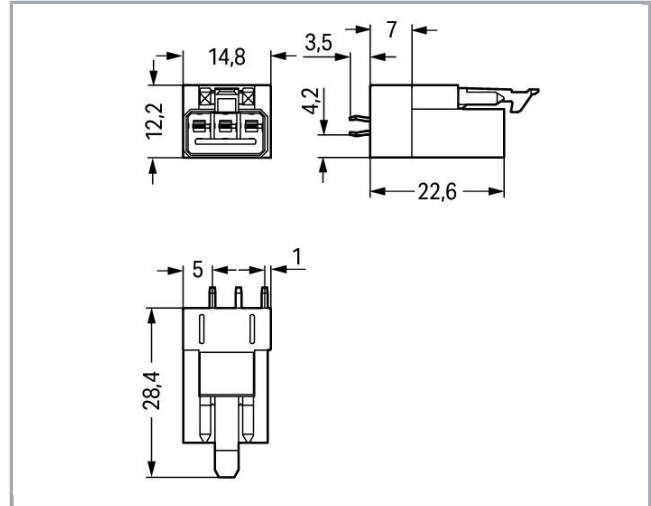
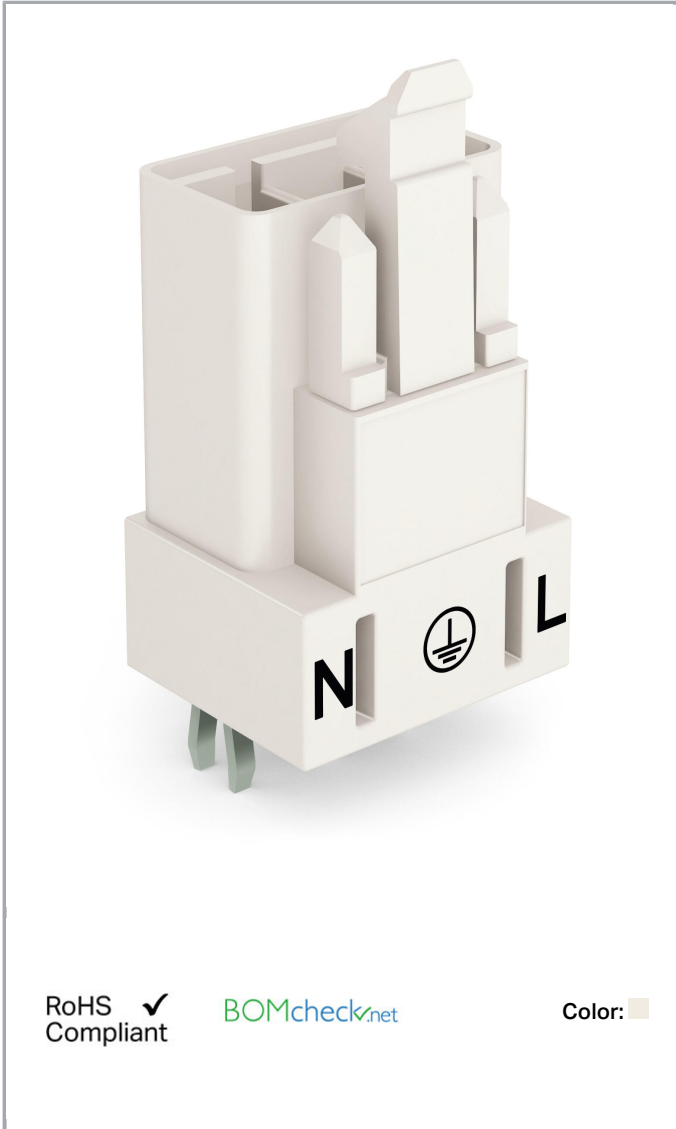


Data sheet | Item number: 890-833  
Plug for PCBs; straight; 3-pole; Cod. A

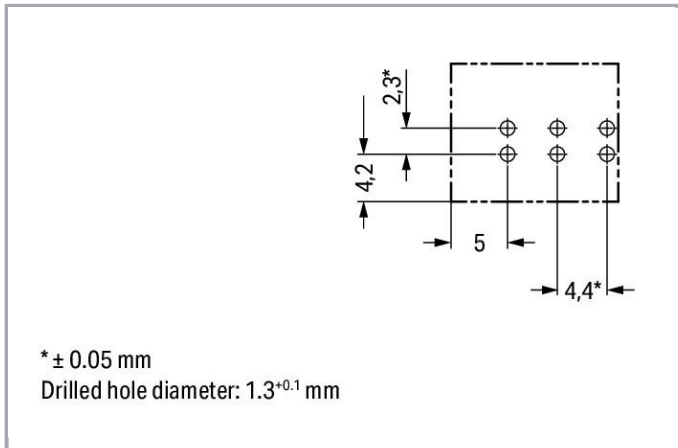
[www.wago.com/890-833](http://www.wago.com/890-833)



Subject to changes. Please also observe the further product documentation!

WAGO Kontakttechnik GmbH & Co. KG  
Hansastr. 27  
32423 Minden  
Phone: +49571 887-0 | Fax: +49571 887-169  
Email: [info.de@wago.com](mailto:info.de@wago.com) | Web: [www.wago.com](http://www.wago.com)

Do you have any questions about our products?  
We are always happy to take your call at +49 (571) 887-44222.



### Item description

- Protected against mismatching and maintenance-free
- Push-in CAGE CLAMP® spring pressure connection technology allows solid conductors to be simply pushed into a unit
- Compact design with 4.4 mm pole spacing

#### Note:

All connectors for mounted installations (snap-in versions for lighting fixtures or devices, all types of PCB and distribution connectors) are factory-equipped with locking levers to ensure plugs and sockets are securely locked. Additional locking levers are only required for flying leads (plug /socket).

#### Note on mismatching protection:

All WINSTA® components are 100% protected against mismatching when:

- a.) plugging different numbers of poles
- b.) plugging while rotated 180
- c.) plugging while laterally staggered
- d.) plugging one pole

#### Safety information 1:

Application note for the U.S. market (USR): Some versions may also be used for current interruption in accordance with the UL certificate in select applications with currents below 5 A and voltages up to 600 V. For further information, please contact your local sales office.

### Data

#### Electrical data

Note on Contact Resistance

approx. 1 mΩ of contact resistance approx. 0.25 mΩ contact transition plug/socket

#### Ratings per IEC/EN 60664-1

| Ratings per             | IEC/EN 60664-1 |
|-------------------------|----------------|
| Rated voltage (III / 3) | 250 V          |

Subject to changes. Please also observe the further product documentation!

WAGO Kontakttechnik GmbH & Co. KG  
Hansastr. 27  
32423 Minden  
Phone: +49571 887-0 | Fax: +49571 887-169  
Email: [info.de@wago.com](mailto:info.de@wago.com) | Web: [www.wago.com](http://www.wago.com)

Do you have any questions about our products?  
We are always happy to take your call at +49 (571) 887-44222.



|                                 |   |
|---------------------------------|---|
| Rated impulse voltage (III / 3) | 4 kV  |
| Rated current                   | 16 A  |
| Legend (ratings)                | (III / 3) ≙ Overvoltage category III / Pollution degree 3 |

### Approvals per UL 1977

|   |       |
|---|-------|
| Rated voltage per UL 1977 (factory wiring only) | 600 V |
| Rated current per UL 1977 (factory wiring only) | 14 A  |

### Connection data

|                            |                               |
|----------------------------|-------------------------------|
| No. of poles               | 3                             |
| Total number of potentials | 3                             |
| Number of levels           | 1                             |
| Ground function            | with preceding ground contact |

### Geometrical Data

|                                   |                                   |
|-----------------------------------|-----------------------------------|
| Pin spacing                       | 4,4 mm / 0.173 inch               |
| Width                             | 14,8 mm / 0.583 inch              |
| Height                            | 31,9 mm / 1.256 inch              |
| Height from the surface           | 28,4 mm / 1.118 inch              |
| Depth                             | 12,2 mm / 0.48 inch               |
| Solder pin length                 | 3.5 mm                            |
| Solder pin dimensions             | 1 x 0,8 mm                        |
| Drilled hole diameter (tolerance) | 1,3 <sup>(-0,1 ... +0,1)</sup> mm |

### Mechanical data

|   |  |
|---|--|
| Coding                                  | A  |
| Mating force of a plug-in connection    | approx. 20 ... 70 N (depending on pole number)   |
| Retention force of a plug-in connection | Locked: > 80 N   |
| Unmating force of a plug-in connection  | Unlocked: approx. 20 ... 70 N (depending on pole number)   |
| Number of mating cycles                 | 200, without resistive load<br>100, with resistive load $I_N = 16$ A, tested (1.5 mm <sup>2</sup> /16 AWG) |
| Design                                  | straight   |
| Marking                                 | L N  |

Subject to changes. Please also observe the further product documentation!



|                   |                            |
|-------------------|----------------------------|
| Potential marking | L N                        |
| Application       | General mains applications |

### Plug connection

|                                    |                     |
|------------------------------------|---------------------|
| Contact type (pluggable connector) | Male connector/plug |
| Connector connection type          | for PCB             |
| Mismating protection               | Yes                 |
| Mating direction to the PCB        | 90°                 |
| Locking of plug-in connection      | locking lever       |
| Locking lever                      | yes                 |

### PCB contact

|                                     |                            |
|-------------------------------------|----------------------------|
| PCB contact                         | THT                        |
| Solder pin arrangement              | 2 in-line solder pins/pole |
| Number of solder pins per potential | 2                          |

### Material Data

|                          |  |
|--------------------------|--|
| Color                    | white                                    |
| Insulating material      | Polyamide 66 (PA 66)                     |
| Clamping spring material | Chrome nickel spring steel (CrNi)        |
| Contact material         | Copper or copper alloy (surface-treated) |
| Fire load                | 0.065 MJ                                 |
| Weight                   | 3.2 g                                    |

### Environmental Requirements

|  |  |
|--|--|
| Processing temperature                 | -5 ... +40 °C                              |
| Continuous operating temperature       | -35 ... +85 °C                             |
| Note on Continuous Service Temperature | Insulating parts for temperatures ≤ 105 °C |

### Commercial data

|                    |               |
|--------------------|---------------|
| Product Group      | 20 (WINSTA)   |
| Packaging type     | BOX           |
| Country of origin  | PL            |
| GTIN               | 4050821695585 |
| Customs Tariff No. | 85366990990   |


Subject to changes. Please also observe the further product documentation!

WAGO Kontakttechnik GmbH & Co. KG  
 Hansastr. 27  
 32423 Minden  
 Phone: +49571 887-0 | Fax: +49571 887-169  
 Email: [info.de@wago.com](mailto:info.de@wago.com) | Web: [www.wago.com](http://www.wago.com)




Do you have any questions about our products?  
 We are always happy to take your call at +49 (571) 887-44222.

## Approvals / Certificates


### Country specific Approvals

| Logo   | Approval                        | Additional Approval Text | Certificate name |
|--|---------------------------------|--------------------------|------------------|
|  | CCA<br>DEKRA Certification B.V. | IEC 61535                | NL-49482         |
|  | CCA<br>DEKRA Certification B.V. | EN 61535                 | 71-<br>102984    |

### Ship Approvals

| Logo  | Approval   | Additional Approval Text | Certificate name         |
|---|--|--------------------------|--------------------------|
|     | ABS<br>American Bureau of Shipping               | Steel Vessel Rules       | 19-<br>HG1869855-<br>PDA |
|    | DNV GL<br>Det Norske Veritas, Germanischer Lloyd | -                        | TAE00001Z6               |
|  | LR<br>Lloyds Register                            | EN 61535                 | 08/20047<br>(E2)         |

### UL-Approvals

| Logo   | Approval                                | Additional Approval Text | Certificate name |
|--|---|--------------------------|------------------|
|  | cURus<br>Underwriters Laboratories Inc. | UL 1977                  | E45171           |

### Counterpart



Item no.890-123  
Socket; with strain relief housing; 3-pole; Cod. A; 1,50 mm<sup>2</sup>; white

[www.wago.com/890-123](http://www.wago.com/890-123)



Item no.890-223  
Socket; 3-pole; Cod. A; 1,50 mm<sup>2</sup>; white

[www.wago.com/890-223](http://www.wago.com/890-223)

Subject to changes. Please also observe the further product documentation!

WAGO Kontakttechnik GmbH & Co. KG  
Hansastr. 27  
32423 Minden  
Phone: +49571 887-0 | Fax: +49571 887-169  
Email: [info.de@wago.com](mailto:info.de@wago.com) | Web: [www.wago.com](http://www.wago.com)

Do you have any questions about our products?  
We are always happy to take your call at +49 (571) 887-44222.



Item no.891-8993/005-102

pre-assembled interconnecting cable; Eca; Socket/plug; 3-pole; Cod. A; 1 m; 1,00 mm<sup>2</sup>; white

[www.wago.com/891-8993/005-102](http://www.wago.com/891-8993/005-102)



Item no.891-8993/105-102

pre-assembled connecting cable; Eca; Socket/open-ended; 3-pole; Cod. A; 1 m; 1,00 mm<sup>2</sup>; white

[www.wago.com/891-8993/105-102](http://www.wago.com/891-8993/105-102)

## Downloads

### CAD/CAE-Data

#### CAD data

2D/3D Models 890-833

[URL](#)

[Download](#)

#### PCB Design

Symbol and Footprint 890-833

[URL](#)

[Download](#)

CAX data for your PCB design, consisting of "schematic symbols and PCB footprints", allow easy integration of the WAGO component into your development environment.

#### Supported formats:

- Accel EDA 14 & 15
- Altium 6 to current version
- Cadence Allegro
- DesignSpark
- Eagle Libraries
- KiCad
- Mentor Graphics BoardStation
- Mentor Graphics Design Architect
- Mentor Graphics Design Expedition 99 and 2000
- OrCAD 9.X PCB and Capture
- PADS PowerPCB 3, 3.5, 4.X, and 5.X
- PADS PowerPCB and PowerLogic 3.0
- PCAD 2000, 2001, 2002, 2004, and 2006
- Pulsonix 8.5 or newer
- STL
- 3D STEP
- TARGET 3001!
- View Logic ViewDraw
- Quadcept
- Zuken CadStar 3 and 4
- Zuken CR-5000 and CR-8000

Subject to changes. Please also observe the further product documentation!

WAGO Kontakttechnik GmbH & Co. KG

Hansastr. 27

32423 Minden

Phone: +49571 887-0 | Fax: +49571 887-169

Email: [info.de@wago.com](mailto:info.de@wago.com) | Web: [www.wago.com](http://www.wago.com)

Do you have any questions about our products?

We are always happy to take your call at +49 (571) 887-44222.



## Installation Notes

## Product family

*WINSTA*® MINI

Show all products from the family

Subject to changes. Please also observe the further product documentation!