

Item description

- Protected against mismatching and maintenance-free
- Push-in CAGE CLAMP® spring pressure connection technology allows solid conductors to be simply pushed into a unit
- Compact design with 4.4 mm pole spacing
- Components can be clearly printed on and color-coded to meet custom requirements
- When assembled, the installation connectors complies with IP40 and are suitable for easily accessible areas

Subject to changes. Please also observe the further product documentation!

**Note:**

All connectors for mounted installations (snap-in versions for lighting fixtures or devices, all types of PCB and distribution connectors) are factory-equipped with locking levers to ensure plugs and sockets are securely locked. Additional locking levers are only required for flying leads (plug /socket).

Note on mismatching protection:

All WINSTA[®] components are 100% protected against mismatching when:

- a.) plugging different numbers of poles
- b.) plugging while rotated 180
- c.) plugging while laterally staggered
- d.) plugging one pole

Safety information 1:

Application note for the U.S. market (USR): Some versions may also be used for current interruption in accordance with the UL certificate in select applications with currents below 5 A and voltages up to 600 V. For further information, please contact your local sales office.

Data**Electrical data**

| | |
|----------------------------|---|
| Note on Contact Resistance | approx. 1 mΩ of contact resistance approx. 0.25 mΩ contact transition plug/socket |
|----------------------------|---|

Ratings per IEC/EN 60664-1

| Ratings per | IEC/EN 60664-1 |
|---------------------------------|---|
| Rated voltage (III / 3) | 400 V |
| Rated impulse voltage (III / 3) | 6 kV |
| Rated current | 16 A |
| Note on rated current | 13 A for 3-pole load 10 A for 4- and 5-pole load |
| Legend (ratings) | (III / 3) ≙ Overvoltage category III / Pollution degree 3 |

Approvals per UL 1977

| | |
|---|-------|
| Rated voltage per UL 1977 (factory wiring only) | 600 V |
| Rated current per UL 1977 (factory wiring only) | 12 A |

Connection data

| | |
|--------------------------------------|--|
| Connection technology | Push-in CAGE CLAMP [®] |
| Actuation type | Operating tool Push-in |
| Nominal cross section | 1,5 mm ² |
| Solid conductor | 0,25 ... 1,5 mm ² / 22 ... 16 AWG |
| Solid conductor, push-in termination | 0,75 ... 1,5 mm ² / 20 ... 16 AWG |

Subject to changes. Please also observe the further product documentation!

WAGO Kontakttechnik GmbH & Co. KG
 Hansastr. 27
 32423 Minden
 Phone: +49571 887-0 | Fax: +49571 887-169
 Email: info.de@wago.com | Web: www.wago.com

Do you have any questions about our products?
 We are always happy to take your call at +49 (571) 887-44222.



| | |
|---|---|
| Stranded conductor | 0,25 ... 1 mm ² / 22 ... 18 AWG |
| Fine-stranded conductor | 0,25 ... 1,5 mm ² / 22 ... 16 AWG |
| Fine-stranded conductor with ferrule with plastic collar | 0,25 ... 0,75 mm ² / 22 ... 20 AWG |
| Fine-stranded conductor with ferrule without plastic collar | 0,25 ... 0,75 mm ² / 22 ... 20 AWG |
| Fine-stranded conductor with ferrule, push-in termination, from | 0,75 mm ² / 20 AWG |
| Strip length | 9 mm / 0.35 inch |
| Note (strip length) | see also packaging or instructions |
| No. of poles | 5 |
| Total number of connection points | 5 |
| Total number of potentials | 5 |
| Conductor entry direction to mating direction | 0° |

Geometrical Data

| | |
|-------------|-----------------------|
| Pin spacing | 4,4 mm / 0.173 inch |
| Width | 35,5 mm / 1.398 inch |
| Height | 17,5 mm / 0.689 inch |
| Depth | 39,85 mm / 1.569 inch |

Mechanical data

| | |
|---|--|
| Coding | B |
| Mating force of a plug-in connection | approx. 20 ... 70 N (depending on pole number) |
| Retention force of a plug-in connection | Locked: > 80 N |
| Unmating force of a plug-in connection | Unlocked: approx. 20 ... 70 N (depending on pole number) |
| Number of mating cycles | 200, without resistive load 100, with resistive load $I_N = 16$ A, tested (1.5 mm ² /16 AWG) |
| Gehäuseblechstärke | 0,5 ... 2 mm / 0.02 ... 0.079 inch |
| Mounting type | Snap-in |
| Marking | 1 2 3 4 |
| Protection class | IP40 |
| Potential marking | 1 2 3 4 |

Plug connection

| | |
|------------------------------------|-------------------------|
| Contact type (pluggable connector) | Female connector/socket |
| Connector connection type | for conductor |

Subject to changes. Please also observe the further product documentation!



| | |
|-------------------------------|---------------|
| Mismating protection | Yes |
| Locking of plug-in connection | locking lever |
| Locking lever | yes |

Material Data

| | |
|--------------------------|--|
| Color | light green |
| Insulating material | Polyamide 66 (PA 66) |
| Clamping spring material | Chrome nickel spring steel (CrNi) |
| Contact material | Copper or copper alloy (surface-treated) |
| Weight | 9 g |

Environmental Requirements

| | |
|--|--|
| Processing temperature | -5 ... +40 °C |
| Continuous operating temperature | -35 ... +85 °C |
| Note on Continuous Service Temperature | Insulating parts for temperatures ≤ 105 °C |

Commercial data

| | |
|--------------------|---------------|
| Packaging type | BOX |
| Country of origin | PL |
| GTIN | 4055143427951 |
| Customs Tariff No. | 85366990990 |

Approvals / Certificates

Country specific Approvals

| Logo | Approval | Additional Approval Text | Certificate name |
|------|--------------------------------|--------------------------|------------------|
| | CB DEKRA Certification B.V. | EN 61984 | 71- 100413 |
| | CB DEKRA Certification B.V. | EN 61984 | NL-52879 |

Ship Approvals

| Logo | Approval | Additional Approval Text | Certificate name |
|------|-----------------------|--------------------------|------------------|
| | LR Lloyds Register | EN 61535 | 08/20047 (E2) |

Subject to changes. Please also observe the further product documentation!



Counterpart



Item no. **890-275/073-000**
Plug; 5-pole; 1,50 mm²; light green

www.wago.com/890-275/073-000

Compatible products

protection

| | |
|--|--|
| Item no.: 770-643 Lockout cap; 3-pole; for cutouts; Plastic; black | www.wago.com/770-643 |
| Item no.: 770-693 Lockout cap; 3-pole; for cutouts; Plastic; white | www.wago.com/770-693 |

tools



| | |
|---|--|
| Item no.: 210-719 Operating tool; Blade: 2.5 x 0.4 mm; with a partially insulated shaft | www.wago.com/210-719 |
| Item no.: 890-385 Operating tool; 5-way; green | www.wago.com/890-385 |

Downloads

CAD/CAE-Data

CAD data

| | | |
|------------------------------|---------------------|--------------------------|
| 2D/3D Models 890-765/073-000 | URL | Download |
|------------------------------|---------------------|--------------------------|

CAE data

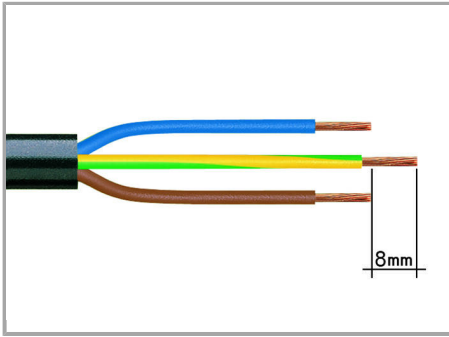
| | | |
|-----------------------------------|---------------------|--------------------------|
| EPLAN Data Portal 890-765/073-000 | URL | Download |
| WSCAD Universe 890-765/073-000 | URL | Download |

Installation Notes

Subject to changes. Please also observe the further product documentation!

WAGO Kontakttechnik GmbH & Co. KG
Hansastr. 27
32423 Minden
Phone: +49571 887-0 | Fax: +49571 887-169
Email: info.de@wago.com | Web: www.wago.com

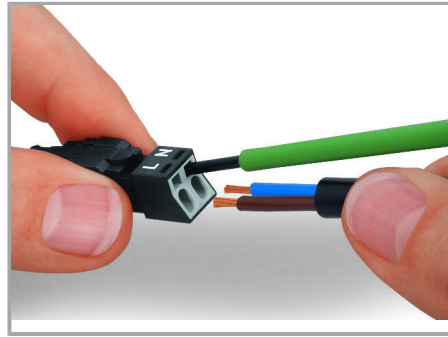
Do you have any questions about our products?
We are always happy to take your call at +49 (571) 887-44222.



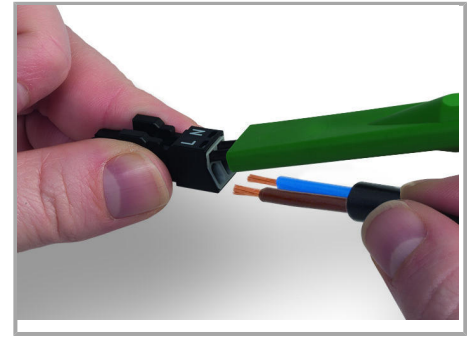
1. Strip length, outer insulation = 30 mm (2-pole), 37 mm (3-pole), 45 mm (4- and 5-pole)

2. Strip length = 9 mm

3. Extended ground conductor = 8 mm

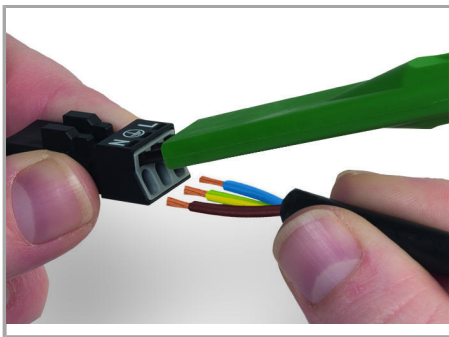


To terminate fine-stranded conductors, open the clamping unit via screwdriver (2.5 mm blade width) and insert a stripped conductor until it hits backstop. Terminate solid conductors by simply pushing them in.



To terminate fine-stranded conductors, open clamping units via operating tool (890-382) and insert stripped conductors until they hit backstop.

Terminate solid conductors by simply pushing them in.

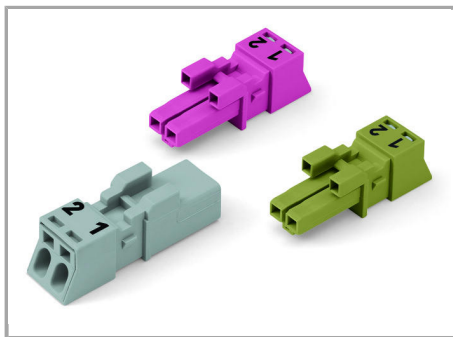


To terminate fine-stranded conductors, open clamping units via operating tool (890-383) and insert stripped conductors until they hit backstop.

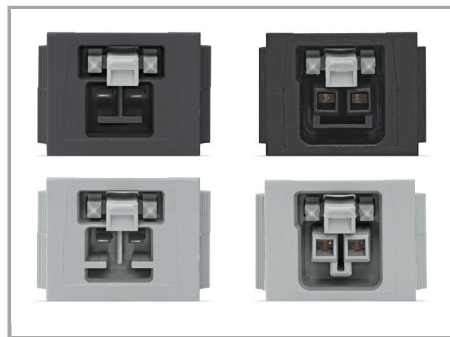
Terminate solid conductors by simply pushing them in.

Mismatching protection

Subject to changes. Please also observe the further product documentation!



B-coded connectors with different colors can be plugged together.



B-coded connectors (shown in gray) not only differ in color, but also in their design, making them incompatible with other coded connectors.



Important note:

Different colors and/or pole marking are used for circuit identification.

Only connectors of the same color and same pole marking must be plugged together.

Product family

[*WINSTA*® MINI special](#)

[Show all products from the family](#)

Subject to changes. Please also observe the further product documentation!