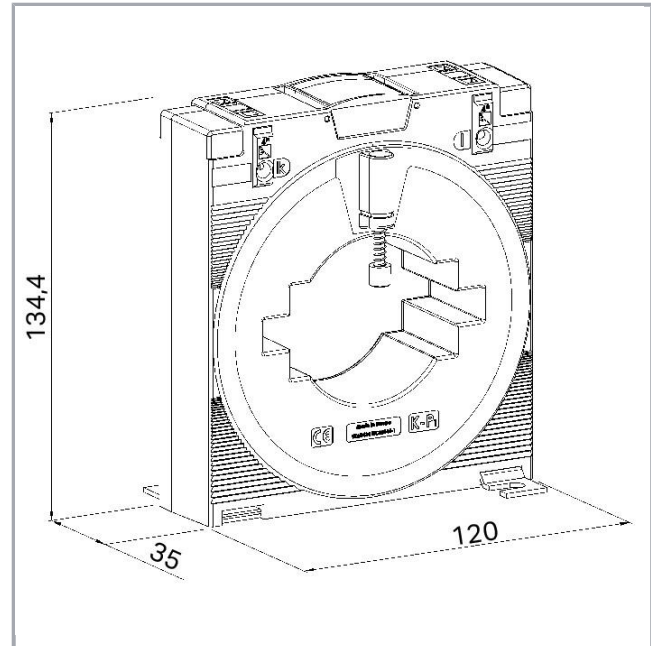


Data sheet | Item number: 855-801/1000-1001

Plug-in current transformer; Primary rated current: 1000 A; Secondary rated current: 1 A; Rated power: 10 VA; Accuracy class: 1



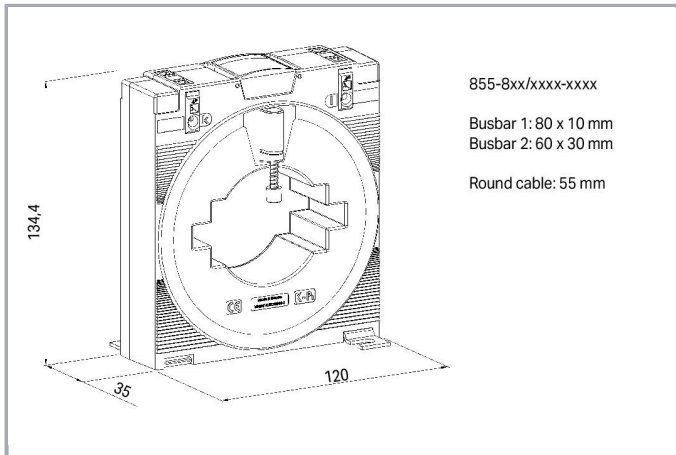
www.wago.com/855-801/1000-1001



Subject to changes. Please also observe the further product documentation!

WAGO Kontakttechnik GmbH & Co. KG
Hansastr. 27
32423 Minden
Phone: +49571 887-0 | Fax: +49571 887-169
Email: info.de@wago.com | Web: www.wago.com

Do you have any questions about our products?
We are always happy to take your call at +49 (571) 887-44222.



Item description

Short description:

These plug-in units (855 Series) are inductive, single-conductor current transformers. Due to the measurement principle used, these current transformers are exclusively designed for AC network applications.

Features:

- Screwless CAGE CLAMP® connection technology
- Several mounting options available
- Vibration- and shock-resistant
- High mechanical retention forces
- High current-carrying capacity
- Continuous overload of 120% the nominal primary current
- Low-voltage current transformer for operating voltages up to max. 1.2 kV
- For 690 V power networks
- UL recognized components

Data

Technical Data

Input – current transformer

| | |
|--|---|
| Primary rated current | 1000 A |
| Rated continuous thermal current I_{cth} | $1.2 \times I_N$ |
| Rated short-time thermal current I_{th} | $60 \times I_N / 1 \text{ s}$ (max. 100 kA / 1 s) |
| Overcurrent limiting factor | FS5 / FS10 (type dependent; see type plate inscription) |
| Rated frequency | 50 ... 60 Hz |

Subject to changes. Please also observe the further product documentation!

Output – Current transformer

| | |
|-------------------------|-------|
| Secondary rated current | 1 A |
| Rated power S_r | 10 VA |

Measurement error

| | |
|----------------|---|
| Accuracy class | 1 |
|----------------|---|

Safety and protection:

| | |
|-------------------------------------|--------------------------|
| Highest voltage for equipment U_m | AC 1,2 kV _{rms} |
| Test voltage | AC 6 kV; 50 Hz; 1 min |

Connection data

| | |
|-------------------------|--|
| Connection technology | CAGE CLAMP® |
| Solid conductor | 0,08 ... 4 mm ² / 28 ... 12 AWG |
| Fine-stranded conductor | 0,08 ... 4 mm ² / 28 ... 12 AWG |
| Strip length | 9 ... 10 mm / 0.35 ... 0.39 inch |

Geometrical Data

| | |
|--------|-----------------------|
| Width | 120 mm / 4.724 inch |
| Height | 134,4 mm / 5.291 inch |
| Depth | 52 mm / 2.047 inch |

Mechanical data

| | |
|------------------|---|
| Type of mounting | Closed current transformer Installation on mounting plate Mounting on round cable |
|------------------|---|

Material Data

| | |
|------------------|-------|
| Insulation class | E |
| Weight | 390 g |

Environmental Requirements

| | |
|---|---------------|
| Surrounding air (operating) temperature | -5 ... 50 °C |
| Surrounding air (storage) temperature | -25 ... 70 °C |

Subject to changes. Please also observe the further product documentation!

| | |
|-------------------------|--------|
| Max. operating altitude | 1000 m |
|-------------------------|--------|

Standards and specifications

| | |
|--------------------------|-------------------------------------|
| Conformity marking | CE |
| Standards/specifications | EN 61869-1; EN 61869-2; UL: E356480 |

Commercial data

| | |
|--------------------|---------------|
| Packaging type | BOX |
| Country of origin | DE |
| GTIN | 4055143523264 |
| Customs Tariff No. | 85043129900 |

Counterpart

Compatible products

tools



Item no.: 210-720

Operating tool; Blade: 3.5 x 0.5 mm; with a partially insulated shaft

www.wago.com/210-720

assembling

Item no.: 855-9910

Quick-mount kit

www.wago.com/855-9910

General accessories

Item no.: 2007-8873

Compact terminal block; for current and voltage transformers; 6,00 mm²; multicoloured

www.wago.com/2007-8873

Item no.: 2007-8874

Compact terminal block; for current and voltage transformers; 6,00 mm²; multicoloured

www.wago.com/2007-8874

Item no.: 2007-8875

Compact terminal block; for current transformer circuit; 6,00 mm²; multicoloured

www.wago.com/2007-8875



Item no.: 2007-8876

Compact terminal block; for 3-phase current transformer circuit; 6,00 mm²; multicoloured

www.wago.com/2007-8876

Item no.: 2007-8877

Compact terminal block; for current transformer circuit; 6,00 mm²; multicoloured

www.wago.com/2007-8877

Item no.: 2857-570/024-001

3-Phase Power Measurement Module; 3x400/690 V/1 A; Modbus RTU; Digital output; Configuration via

www.wago.com/2857-570/024-001

Subject to changes. Please also observe the further product documentation!

WAGO Kontakttechnik GmbH & Co. KG

Hansastr. 27

32423 Minden

Phone: +49571 887-0 | Fax: +49571 887-169

Email: info.de@wago.com | Web: www.wago.com

Do you have any questions about our products?

We are always happy to take your call at +49 (571) 887-44222.



software; Supply voltage: 24 VDC



Item no.: 857-550

Current signal conditioner; Current input signal; Current and voltage output signal; Digital output;
Configuration via software; Supply voltage: 24 VDC; 6 mm module width; 2,50 mm²

www.wago.com/857-550

Downloads

Documentation

Additional Information

| | | | |
|--|---------|-----------------|----------|
| Disposal; Electrical and electronic equipment, Packaging | V 1.0.0 | pdf 265.8 kB | Download |
|--|---------|-----------------|----------|

Engineering-Software

Software for Interface-Products

| | | | |
|---|-------------------------|----------------|----------|
| WAGO Interface Configuration Software FULL The full setup, in addition to the WAGO Interface Configuration Software, includes the installation for the Microsoft .NET Framework. | 1.6.3.7 Sep 17, 2019 | exe 98.5 MB | Download |
| WAGO Interface Configuration Software SMALL The full setup only includes the WAGO Interface Configuration Software. | 1.6.3.7 Sep 17, 2019 | exe 48.0 MB | Download |

CAD/CAE-Data

CAD data

| | | |
|--------------------------------|-----|----------|
| 2D/3D Models 855-801/1000-1001 | URL | Download |
|--------------------------------|-----|----------|

CAE data

| | | |
|-------------------------------------|-----|----------|
| EPLAN Data Portal 855-801/1000-1001 | URL | Download |
|-------------------------------------|-----|----------|

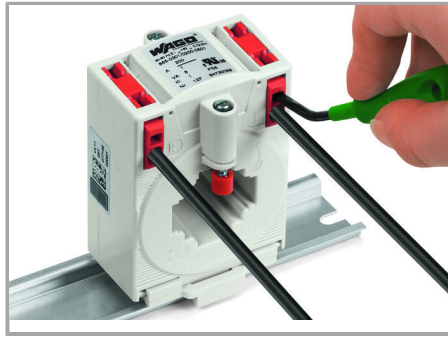
Installation Notes

Conductor termination

Subject to changes. Please also observe the further product documentation!

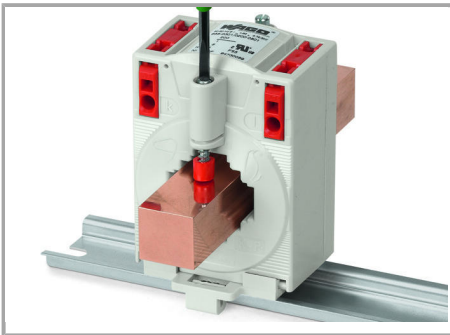


Inserting a conductor – Operating tool actuation perpendicular to conductor entry.

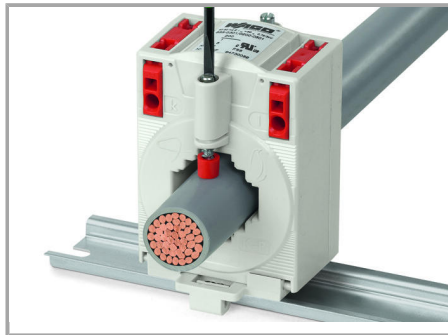


Inserting a conductor – Operating tool actuation parallel to conductor entry.

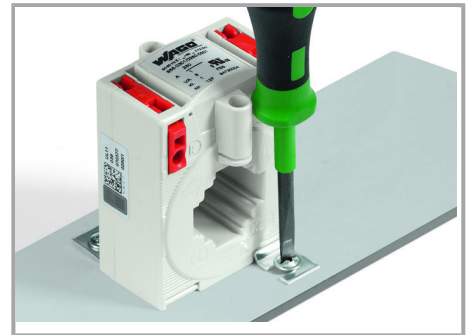
Installation



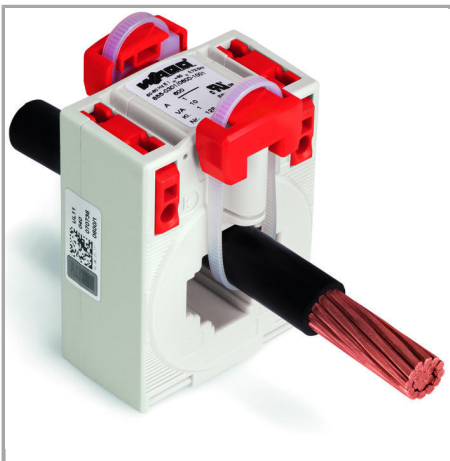
Mounting on copper carrier rail



Mounting on round cable



Secured to mounting plate



Mounting via quick-mount kit 855-9910

Subject to changes. Please also observe the further product documentation!