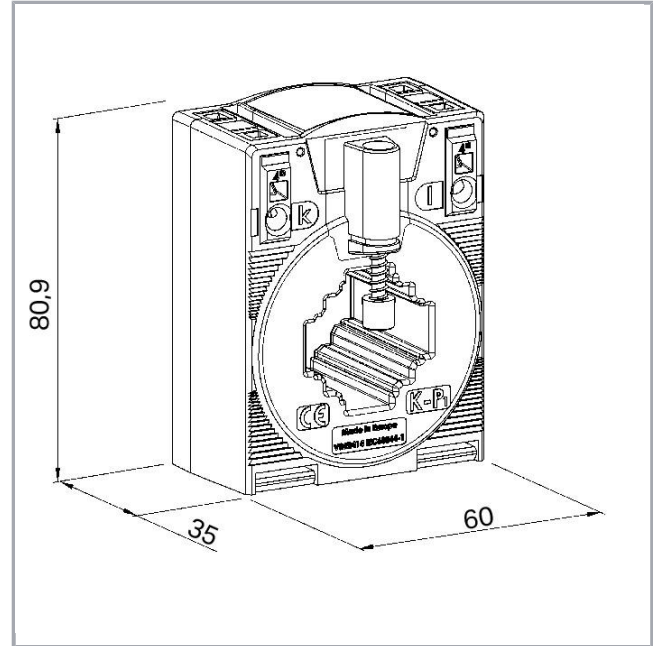


Data sheet | Item number: 855-301/200-501

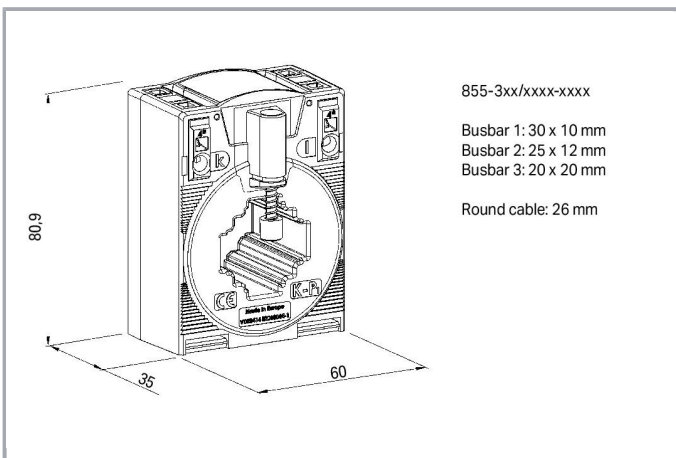
Plug-in current transformer; Primary rated current: 200 A; Secondary rated current: 1 A; Rated power: 5 VA; Accuracy class: 1



www.wago.com/855-301/200-501



RoHS Compliant BOMcheck.net



Subject to changes. Please also observe the further product documentation!

WAGO Kontakttechnik GmbH & Co. KG
Hansastr. 27
32423 Minden
Phone: +49571 887-0 | Fax: +49571 887-169
Email: info.de@wago.com | Web: www.wago.com

Do you have any questions about our products?
We are always happy to take your call at +49 (571) 887-44222.



Item description

Short description:

These plug-in units (855 Series) are inductive, single-conductor current transformers. Due to the measurement principle used, these current transformers are exclusively designed for AC network applications.

Features:

- Screwless CAGE CLAMP® connection technology
- Several mounting options available
- Vibration- and shock-resistant
- High mechanical retention forces
- High current-carrying capacity
- Continuous overload of 120% the nominal primary current
- Low-voltage current transformer for operating voltages up to max. 1.2 kV
- For 690 V power networks
- UL recognized components

Data

Technical Data

Input – current transformer

| | |
|--|---|
| Primary rated current | 200 A |
| Rated continuous thermal current I_{cth} | $1.2 \times I_N$ |
| Rated short-time thermal current I_{th} | $60 \times I_N / 1 \text{ s}$ (max. 100 kA / 1 s) |
| Overcurrent limiting factor | FS5 / FS10 (type dependent; see type plate inscription) |
| Rated frequency | 50 ... 60 Hz |

Output – Current transformer

| | |
|-------------------------|------|
| Secondary rated current | 1 A |
| Rated power S_r | 5 VA |

Measurement error

| | |
|----------------|---|
| Accuracy class | 1 |
|----------------|---|

Safety and protection:

| | |
|-------------------------------------|--------------------------|
| Highest voltage for equipment U_m | AC 1,2 kV _{rms} |
|-------------------------------------|--------------------------|

Subject to changes. Please also observe the further product documentation!



| | |
|--------------|-----------------------|
| Test voltage | AC 6 kV; 50 Hz; 1 min |
|--------------|-----------------------|

Connection data

| | |
|-------------------------|--|
| Connection technology | CAGE CLAMP® |
| Solid conductor | 0,08 ... 4 mm ² / 28 ... 12 AWG |
| Fine-stranded conductor | 0,08 ... 4 mm ² / 28 ... 12 AWG |
| Strip length | 9 ... 10 mm / 0.35 ... 0.39 inch |

Geometrical Data

| | |
|--------|----------------------|
| Width | 60 mm / 2.362 inch |
| Height | 80,9 mm / 3.185 inch |
| Depth | 52 mm / 2.047 inch |

Mechanical data

| | |
|------------------|--|
| Type of mounting | Closed current transformer Installation on mounting plate Mounting on DIN-rail via DIN-rail adapter Mounting on round cable |
|------------------|--|

Material Data

| | |
|------------------|-------|
| Insulation class | E |
| Weight | 230 g |

Environmental Requirements

| | |
|---|---------------|
| Surrounding air (operating) temperature | -5 ... 50 °C |
| Surrounding air (storage) temperature | -25 ... 70 °C |
| Max. operating altitude | 1000 m |

Standards and specifications

| | |
|--------------------------|-------------------------------------|
| Conformity marking | CE |
| Standards/specifications | EN 61869-1; EN 61869-2; UL: E356480 |

Commercial data

| | |
|-------------------|---------------|
| Packaging type | BOX |
| Country of origin | DE |
| GTIN | 4050821616894 |


Subject to changes. Please also observe the further product documentation!

Customs Tariff No.

85043129900

Approvals / Certificates

UL-Approvals

| Logo | Approval | Additional Approval Text | Certificate name |
|--|--------------------------------------|--------------------------|------------------|
|  | UL Underwriters Laboratories Inc. | C51.13 | E356480 |

Counterpart

Compatible products



assembling

| | | |
|--|---|--|
|  | Item no.: 855-9900 Carrier rail adapter | www.wago.com/855-9900 |
|  | Item no.: 855-9910 Quick-mount kit | www.wago.com/855-9910 |

tools

| | | |
|--|---|--|
| | Item no.: 210-720 Operating tool; Blade: 3.5 x 0.5 mm; with a partially insulated shaft | www.wago.com/210-720 |
|--|---|--|

General accessories

| | | |
|--|---|--|
| | Item no.: 2007-8873 Compact terminal block; for current and voltage transformers; 6,00 mm ² ; multicoloured | www.wago.com/2007-8873 |
| | Item no.: 2007-8874 Compact terminal block; for current and voltage transformers; 6,00 mm ² ; multicoloured | www.wago.com/2007-8874 |
| | Item no.: 2007-8875 Compact terminal block; for current transformer circuit; 6,00 mm ² ; multicoloured | www.wago.com/2007-8875 |
|  | Item no.: 2007-8876 Compact terminal block; for 3-phase current transformer circuit; 6,00 mm ² ; multicoloured | www.wago.com/2007-8876 |
|  | Item no.: 2007-8877 Compact terminal block; for current transformer circuit; 6,00 mm ² ; multicoloured | www.wago.com/2007-8877 |

Item no.: 2857-570/024-001

Subject to changes. Please also observe the further product documentation!



3-Phase Power Measurement Module; 3x400/690 V/1 A; Modbus RTU; Digital output; Configuration via software; Supply voltage: 24 VDC

www.wago.com/2857-570/024-001



Item no.: 857-550

Current signal conditioner; Current input signal; Current and voltage output signal; Digital output; Configuration via software; Supply voltage: 24 VDC; 6 mm module width; 2,50 mm²

www.wago.com/857-550

Downloads

Documentation

Instruction Leaflet

| | | | |
|-----------------------|--|---------------|----------|
| Aufsteck-Stromwandler | | pdf 1.5 MB | Download |
|-----------------------|--|---------------|----------|

Additional Information

| | | | |
|--|---------|-----------------|----------|
| Disposal; Electrical and electronic equipment, Packaging | V 1.0.0 | pdf 265.8 kB | Download |
|--|---------|-----------------|----------|

Engineering-Software

Software for Interface-Products

| | | | |
|---|-------------------------|----------------|----------|
| WAGO Interface Configuration Software FULL The full setup, in addition to the WAGO Interface Configuration Software, includes the installation for the Microsoft .NET Framework. | 1.6.3.7 Sep 17, 2019 | exe 98.5 MB | Download |
| WAGO Interface Configuration Software SMALL The full setup only includes the WAGO Interface Configuration Software. | 1.6.3.7 Sep 17, 2019 | exe 48.0 MB | Download |

CAD/CAE-Data

CAD data

| | | |
|------------------------------|-----|----------|
| 2D/3D Models 855-301/200-501 | URL | Download |
|------------------------------|-----|----------|

CAE data

| | | |
|-----------------------------------|-----|----------|
| EPLAN Data Portal 855-301/200-501 | URL | Download |
| WSCAD Universe 855-301/200-501 | URL | Download |

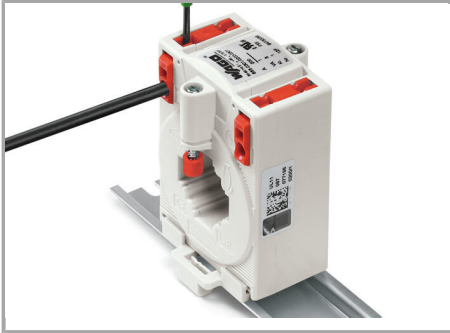
Subject to changes. Please also observe the further product documentation!

WAGO Kontakttechnik GmbH & Co. KG
 Hansastr. 27
 32423 Minden
 Phone: +49571 887-0 | Fax: +49571 887-169
 Email: info.de@wago.com | Web: www.wago.com

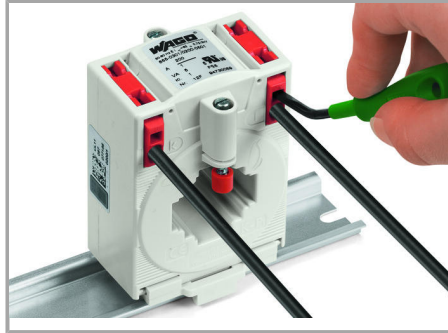
Do you have any questions about our products?
 We are always happy to take your call at +49 (571) 887-44222.

Installation Notes

Conductor termination

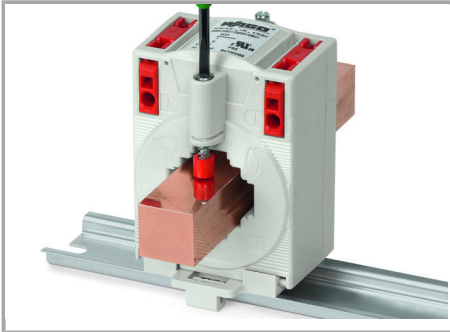


Inserting a conductor – Operating tool actuation perpendicular to conductor entry.

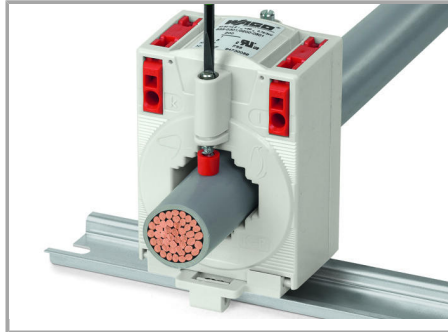


Inserting a conductor – Operating tool actuation parallel to conductor entry.

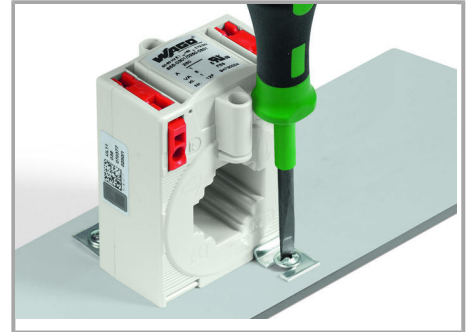
Installation



Mounting on copper carrier rail



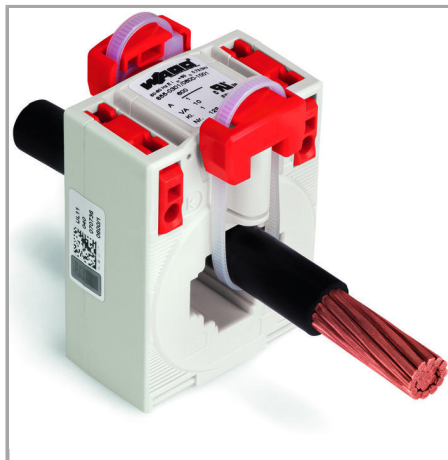
Mounting on round cable



Secured to mounting plate



Mounting on DIN-rail via carrier rail adapter 855-9900



Mounting via quick-mount kit 855-9910

Subject to changes. Please also observe the further product documentation!