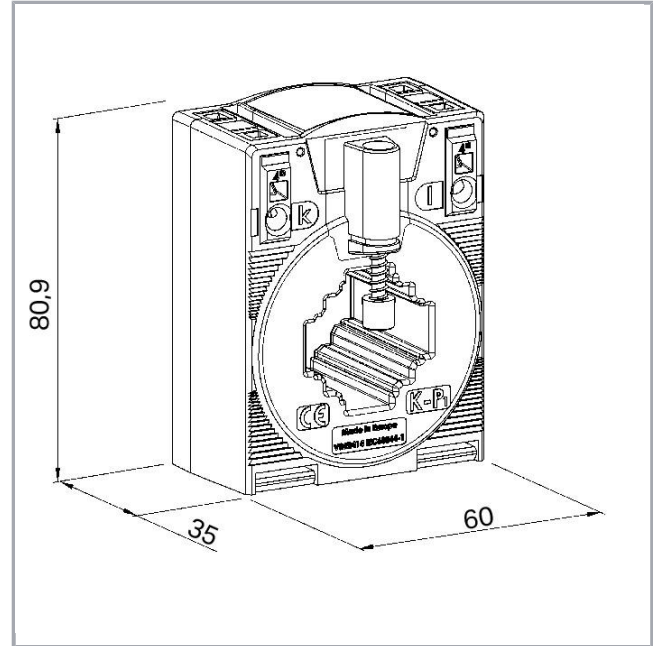


Data sheet | Item number: 855-301/100-201

Plug-in current transformer; Primary rated current: 100 A; Secondary rated current: 1 A; Rated power: 2.5 VA; Accuracy class: 1



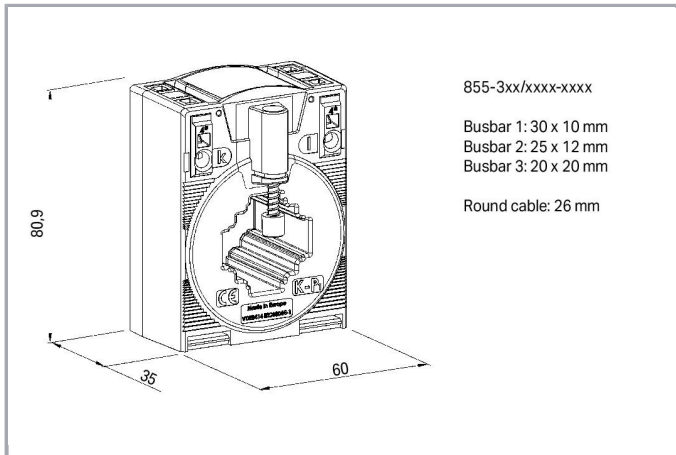
www.wago.com/855-301/100-201



Subject to changes. Please also observe the further product documentation!

WAGO Kontakttechnik GmbH & Co. KG
Hansastr. 27
32423 Minden
Phone: +49571 887-0 | Fax: +49571 887-169
Email: info.de@wago.com | Web: www.wago.com

Do you have any questions about our products?
We are always happy to take your call at +49 (571) 887-44222.



Item description

Short description:

These plug-in units (855 Series) are inductive, single-conductor current transformers. Due to the measurement principle used, these current transformers are exclusively designed for AC network applications.

Features:

- Screwless CAGE CLAMP® connection technology
- Several mounting options available
- Vibration- and shock-resistant
- High mechanical retention forces
- High current-carrying capacity
- Continuous overload of 120% the nominal primary current
- Low-voltage current transformer for operating voltages up to max. 1.2 kV
- For 690 V power networks
- UL recognized components

Data

Technical Data

Input – current transformer

| | |
|--|---|
| Primary rated current | 100 A |
| Rated continuous thermal current I_{cth} | $1.2 \times I_N$ |
| Rated short-time thermal current I_{th} | $60 \times I_N / 1 \text{ s}$ (max. 100 kA / 1 s) |
| Overcurrent limiting factor | FS5 / FS10 (type dependent; see type plate inscription) |
| Rated frequency | 50 ... 60 Hz |

Subject to changes. Please also observe the further product documentation!

WAGO Kontakttechnik GmbH & Co. KG
 Hansastr. 27
 32423 Minden
 Phone: +49571 887-0 | Fax: +49571 887-169
 Email: info.de@wago.com | Web: www.wago.com

Do you have any questions about our products?
 We are always happy to take your call at +49 (571) 887-44222.

Output – Current transformer

| | |
|-------------------------|--------|
| Secondary rated current | 1 A |
| Rated power S_r | 2.5 VA |

Measurement error

| | |
|----------------|---|
| Accuracy class | 1 |
|----------------|---|

Safety and protection:

| | |
|-------------------------------------|--------------------------|
| Highest voltage for equipment U_m | AC 1,2 kV _{rms} |
| Test voltage | AC 6 kV; 50 Hz; 1 min |

Connection data

| | |
|-------------------------|--|
| Connection technology | CAGE CLAMP® |
| Solid conductor | 0,08 ... 4 mm ² / 28 ... 12 AWG |
| Fine-stranded conductor | 0,08 ... 4 mm ² / 28 ... 12 AWG |
| Strip length | 9 ... 10 mm / 0.35 ... 0.39 inch |

Geometrical Data

| | |
|--------|----------------------|
| Width | 60 mm / 2.362 inch |
| Height | 80,9 mm / 3.185 inch |
| Depth | 52 mm / 2.047 inch |

Mechanical data

| | |
|------------------|--|
| Type of mounting | Closed current transformer Installation on mounting plate Mounting on DIN-rail via DIN-rail adapter Mounting on round cable |
|------------------|--|

Material Data

| | |
|------------------|-------|
| Insulation class | E |
| Weight | 230 g |

Environmental Requirements

| | |
|---|--------------|
| Surrounding air (operating) temperature | -5 ... 50 °C |
|---|--------------|

Subject to changes. Please also observe the further product documentation!

| | |
|---------------------------------------|---------------|
| Surrounding air (storage) temperature | -25 ... 70 °C |
| Max. operating altitude | 1000 m |

Standards and specifications


| | |
|--------------------------|-------------------------------------|
| Conformity marking | CE |
| Standards/specifications | EN 61869-1; EN 61869-2; UL: E356480 |

Commercial data

| | |
|--------------------|---------------|
| Packaging type | BOX |
| Country of origin | DE |
| GTIN | 4050821616870 |
| Customs Tariff No. | 85043129900 |

Approvals / Certificates

UL-Approvals

| Logo | Approval | Additional Approval Text | Certificate name |
|---|--------------------------------------|--------------------------|------------------|
|  | UL Underwriters Laboratories Inc. | C51.13 | E356480 |

Counterpart

Compatible products

tools



| | |
|---|--|
| Item no.: 210-720 Operating tool; Blade: 3.5 x 0.5 mm; with a partially insulated shaft | www.wago.com/210-720 |
|---|--|

General accessories

| | |
|--|--|
| Item no.: 2007-8873 Compact terminal block; for current and voltage transformers; 6,00 mm ² ; multicoloured | www.wago.com/2007-8873 |
|--|--|

| | |
|--|--|
| Item no.: 2007-8874 Compact terminal block; for current and voltage transformers; 6,00 mm ² ; multicoloured | www.wago.com/2007-8874 |
|--|--|

Item no.: 2007-8875

Subject to changes. Please also observe the further product documentation!

Compact terminal block; for current transformer circuit; 6,00 mm²; multicoloured

www.wago.com/2007-8875



Item no.: 2007-8876

Compact terminal block; for 3-phase current transformer circuit; 6,00 mm²; multicoloured

www.wago.com/2007-8876

Item no.: 2007-8877

Compact terminal block; for current transformer circuit; 6,00 mm²; multicoloured

www.wago.com/2007-8877

Item no.: 2857-570/024-001

3-Phase Power Measurement Module; 3x400/690 V/1 A; Modbus RTU; Digital output; Configuration via software; Supply voltage: 24 VDC

www.wago.com/2857-570/024-001



Item no.: 857-550

Current signal conditioner; Current input signal; Current and voltage output signal; Digital output; Configuration via software; Supply voltage: 24 VDC; 6 mm module width; 2,50 mm²

www.wago.com/857-550

assembling



Item no.: 855-9900

Carrier rail adapter

www.wago.com/855-9900

Item no.: 855-9910

Quick-mount kit

www.wago.com/855-9910

Downloads

Documentation

Instruction Leaflet

Aufsteck-Stromwandler

pdf
1.5 MB

[Download](#)

Additional Information

Disposal; Electrical and electronic equipment, Packaging

V 1.0.0

pdf
265.8 kB

[Download](#)

Engineering-Software

Software for Interface-Products

WAGO Interface Configuration Software SMALL

1.6.3.7

exe

[Download](#)

The full setup only includes the WAGO Interface Configuration Software.

Sep 17, 2019

48.0 MB

WAGO Interface Configuration Software FULL

1.6.3.7

exe

[Download](#)

The full setup, in addition to the WAGO Interface Configuration Software, includes the installation for the Microsoft .NET Framework.

Sep 17, 2019

98.5 MB

Subject to changes. Please also observe the further product documentation!

WAGO Kontakttechnik GmbH & Co. KG

Hansastr. 27

32423 Minden

Phone: +49571 887-0 | Fax: +49571 887-169

Email: info.de@wago.com | Web: www.wago.com

Do you have any questions about our products?

We are always happy to take your call at +49 (571) 887-44222.

CAD/CAE-Data

CAD data

| | | |
|------------------------------|---------------------|--------------------------|
| 2D/3D Models 855-301/100-201 | URL | Download |
|------------------------------|---------------------|--------------------------|

CAE data

| | | |
|-----------------------------------|---------------------|--------------------------|
| EPLAN Data Portal 855-301/100-201 | URL | Download |
|-----------------------------------|---------------------|--------------------------|

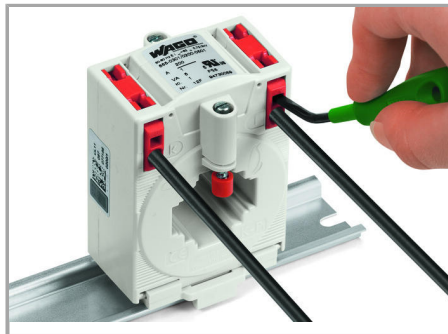
| | | |
|--------------------------------|---------------------|--------------------------|
| WSCAD Universe 855-301/100-201 | URL | Download |
|--------------------------------|---------------------|--------------------------|

Installation Notes

Conductor termination

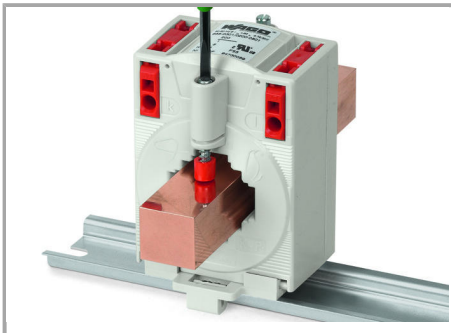


Inserting a conductor – Operating tool actuation perpendicular to conductor entry.

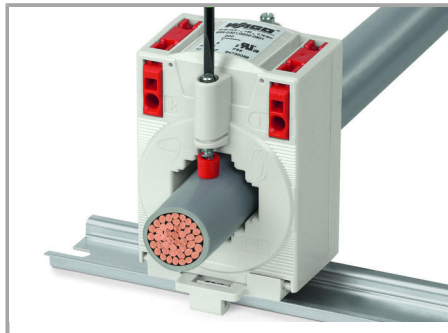


Inserting a conductor – Operating tool actuation parallel to conductor entry.

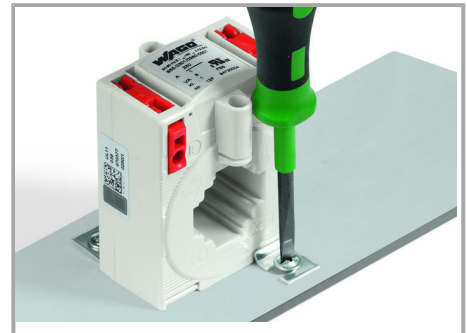
Installation



Mounting on copper carrier rail

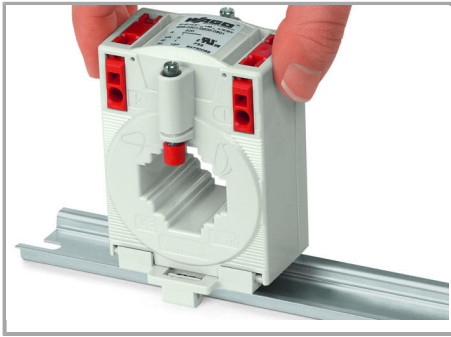


Mounting on round cable



Secured to mounting plate

Subject to changes. Please also observe the further product documentation!



Mounting on DIN-rail via carrier rail adapter
855-9900



Mounting via quick-mount kit 855-9910

Subject to changes. Please also observe the further product documentation!