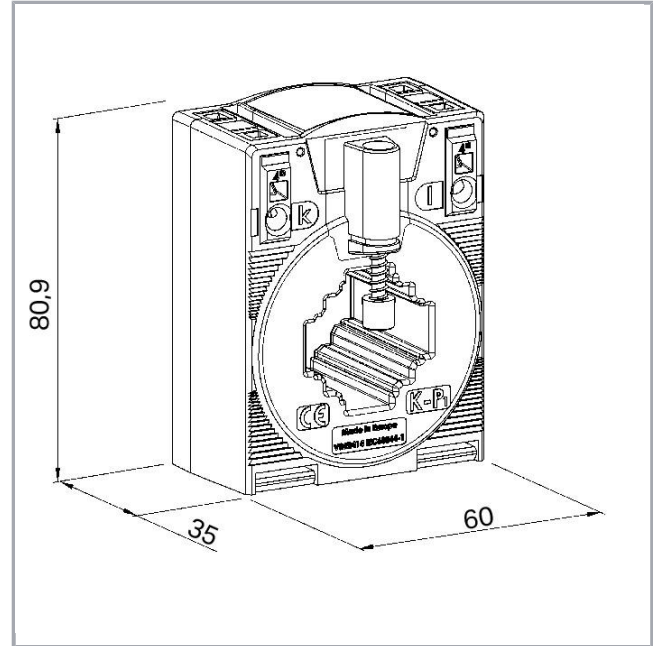


Data sheet | Item number: 855-301/050-103

Plug-in current transformer; Primary rated current: 50 A; Secondary rated current: 1 A; Rated power: 1.25 VA; Accuracy class: 3



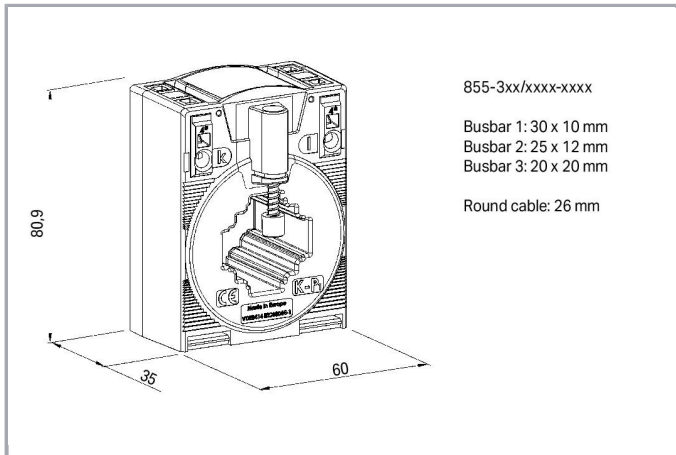
www.wago.com/855-301/050-103



Subject to changes. Please also observe the further product documentation!

WAGO Kontakttechnik GmbH & Co. KG
Hansastr. 27
32423 Minden
Phone: +49571 887-0 | Fax: +49571 887-169
Email: info.de@wago.com | Web: www.wago.com

Do you have any questions about our products?
We are always happy to take your call at +49 (571) 887-44222.



Item description

Short description:

These plug-in units (855 Series) are inductive, single-conductor current transformers. Due to the measurement principle used, these current transformers are exclusively designed for AC network applications.

Features:

- Screwless CAGE CLAMP® connection technology
- Several mounting options available
- Vibration- and shock-resistant
- High mechanical retention forces
- High current-carrying capacity
- Continuous overload of 120% the nominal primary current
- Low-voltage current transformer for operating voltages up to max. 1.2 kV
- For 690 V power networks
- UL recognized components

Data

Technical Data

Input – current transformer

Primary rated current	50 A
Rated continuous thermal current I_{cth}	$1.2 \times I_N$
Rated short-time thermal current I_{th}	$60 \times I_N / 1 \text{ s}$ (max. 100 kA / 1 s)
Overcurrent limiting factor	FS5 / FS10 (type dependent; see type plate inscription)
Rated frequency	50 ... 60 Hz

Subject to changes. Please also observe the further product documentation!

Output – Current transformer

Secondary rated current	1 A
Rated power S_r	1.25 VA

Measurement error

Accuracy class	3
----------------	---

Safety and protection:

Highest voltage for equipment U_m	AC 1,2 kV _{rms}
Test voltage	AC 6 kV; 50 Hz; 1 min

Connection data

Connection technology	CAGE CLAMP®
Solid conductor	0,08 ... 4 mm ² / 28 ... 12 AWG
Fine-stranded conductor	0,08 ... 4 mm ² / 28 ... 12 AWG
Strip length	9 ... 10 mm / 0.35 ... 0.39 inch

Geometrical Data

Width	60 mm / 2.362 inch
Height	80,9 mm / 3.185 inch
Depth	52 mm / 2.047 inch

Mechanical data

Type of mounting	Closed current transformer Installation on mounting plate Mounting on DIN-rail via DIN-rail adapter Mounting on round cable
------------------	--

Material Data

Insulation class	E
Weight	230 g

Environmental Requirements

Surrounding air (operating) temperature	-5 ... 50 °C
---	--------------

Subject to changes. Please also observe the further product documentation!



Surrounding air (storage) temperature	-25 ... 70 °C
Max. operating altitude	1000 m

Standards and specifications


Conformity marking	CE
Standards/specifications	EN 61869-1; EN 61869-2; UL: E356480

Commercial data

Packaging type	BOX
Country of origin	DE
GTIN	4050821614654
Customs Tariff No.	85043129900

Approvals / Certificates

UL-Approvals

Logo	Approval	Additional Approval Text	Certificate name
	UL Underwriters Laboratories Inc.	C51.13	E356480

Counterpart

Compatible products

assembling

	Item no.: 855-9900 Carrier rail adapter	www.wago.com/855-9900
	Item no.: 855-9910 Quick-mount kit	www.wago.com/855-9910

General accessories

Item no.: 2007-8873 Compact terminal block; for current and voltage transformers; 6,00 mm ² ; multicoloured	www.wago.com/2007-8873
Item no.: 2007-8874	

Subject to changes. Please also observe the further product documentation!



Compact terminal block; for current and voltage transformers; 6,00 mm²; multicoloured

www.wago.com/2007-8874

Item no.: 2007-8875

Compact terminal block; for current transformer circuit; 6,00 mm²; multicoloured

www.wago.com/2007-8875



Item no.: 2007-8876

Compact terminal block; for 3-phase current transformer circuit; 6,00 mm²; multicoloured

www.wago.com/2007-8876

Item no.: 2007-8877

Compact terminal block; for current transformer circuit; 6,00 mm²; multicoloured

www.wago.com/2007-8877

Item no.: 2857-570/024-001

3-Phase Power Measurement Module; 3x400/690 V/1 A; Modbus RTU; Digital output; Configuration via software; Supply voltage: 24 VDC

www.wago.com/2857-570/024-001



Item no.: 857-550

Current signal conditioner; Current input signal; Current and voltage output signal; Digital output; Configuration via software; Supply voltage: 24 VDC; 6 mm module width; 2,50 mm²

www.wago.com/857-550

tools



Item no.: 210-720

Operating tool; Blade: 3.5 x 0.5 mm; with a partially insulated shaft

www.wago.com/210-720

Downloads

Documentation

Instruction Leaflet

Aufsteck-Stromwandler

pdf
1.5 MB

[Download](#)

Additional Information

Disposal; Electrical and electronic equipment, Packaging

V 1.0.0

pdf
265.8 kB

[Download](#)

Engineering-Software

Software for Interface-Products

WAGO Interface Configuration Software SMALL

1.6.3.7

exe
48.0 MB

[Download](#)

The full setup only includes the WAGO Interface Configuration Software.

Sep 17, 2019

WAGO Interface Configuration Software FULL

1.6.3.7

exe
98.5 MB

[Download](#)

The full setup, in addition to the WAGO Interface Configuration Software, includes the installation for the Microsoft .NET Framework.

Sep 17, 2019

Subject to changes. Please also observe the further product documentation!

WAGO Kontakttechnik GmbH & Co. KG

Hansastr. 27

32423 Minden

Phone: +49571 887-0 | Fax: +49571 887-169

Email: info.de@wago.com | Web: www.wago.com

Do you have any questions about our products?

We are always happy to take your call at +49 (571) 887-44222.

CAD/CAE-Data

CAD data

2D/3D Models 855-301/050-103

[URL](#)

[Download](#)

CAE data

EPLAN Data Portal 855-301/050-103

[URL](#)

[Download](#)

WSCAD Universe 855-301/050-103

[URL](#)

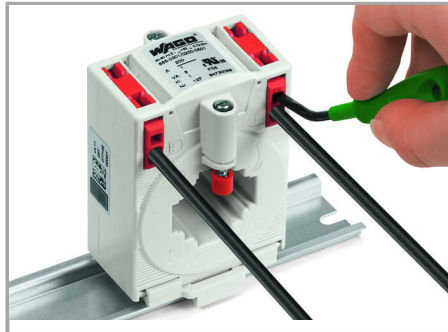
[Download](#)

Installation Notes

Conductor termination

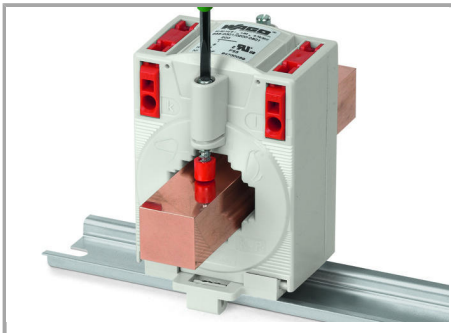


Inserting a conductor – Operating tool actuation perpendicular to conductor entry.

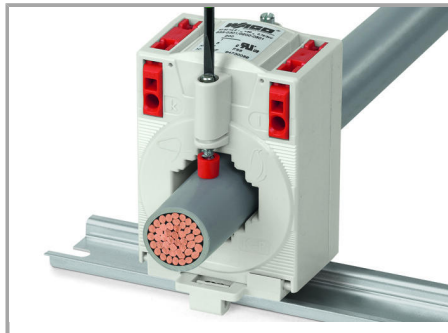


Inserting a conductor – Operating tool actuation parallel to conductor entry.

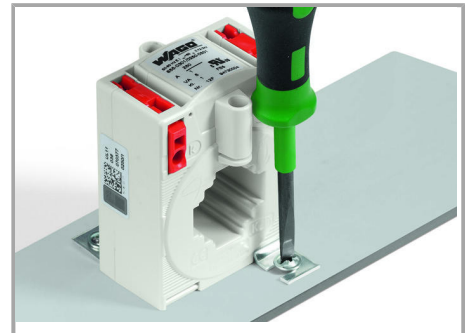
Installation



Mounting on copper carrier rail

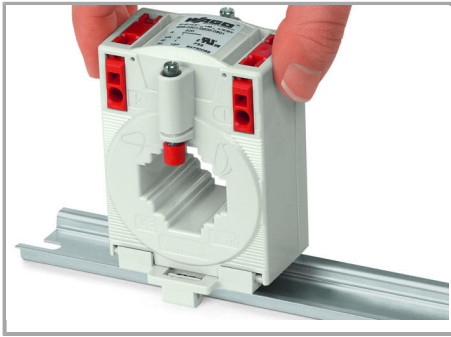


Mounting on round cable



Secured to mounting plate

Subject to changes. Please also observe the further product documentation!



Mounting on DIN-rail via carrier rail adapter
855-9900



Mounting via quick-mount kit 855-9910

Subject to changes. Please also observe the further product documentation!