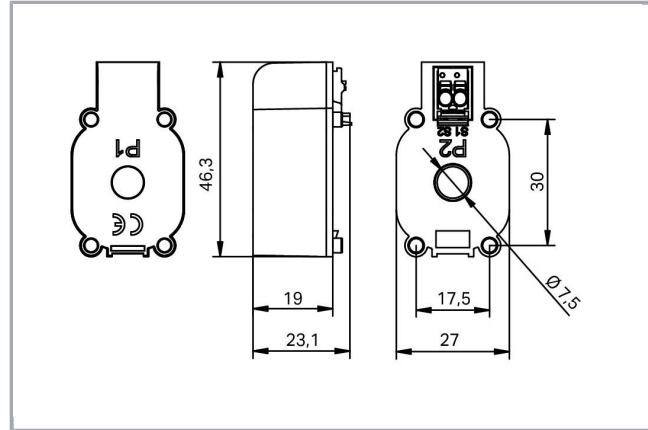


Data sheet | Item number: 855-2701/064-001

Plug-in current transformer; Primary rated current: 64 A; Secondary rated current: 1 A; Rated power: 0.2 VA; Accuracy class: 1



[www.wago.com/855-2701/064-001](http://www.wago.com/855-2701/064-001)

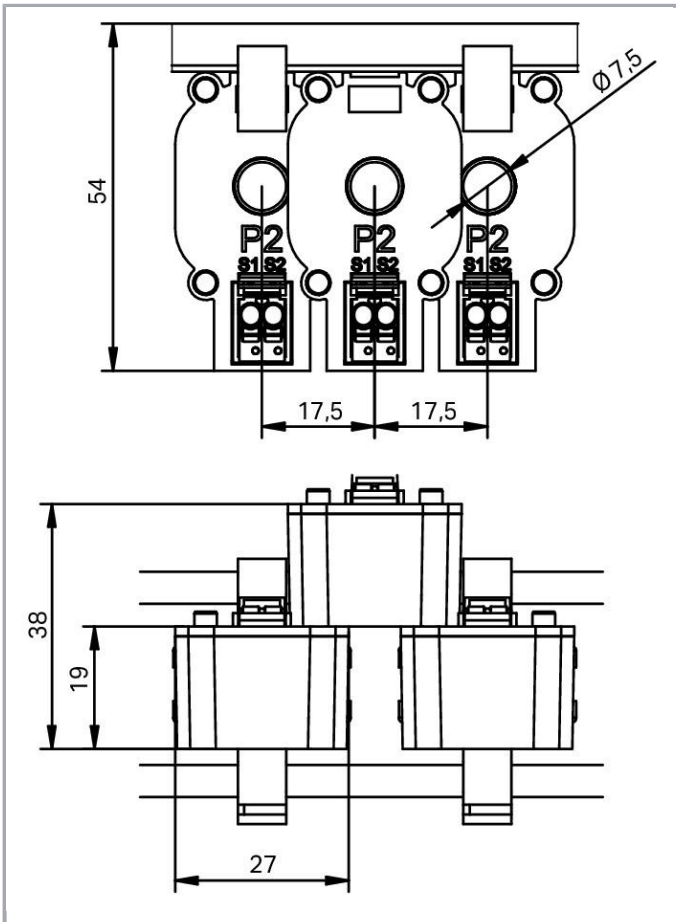


RoHS  Compliant 

Subject to changes. Please also observe the further product documentation!

WAGO Kontakttechnik GmbH & Co. KG  
Hansastr. 27  
32423 Minden  
Phone: +49571 887-0 | Fax: +49571 887-169  
Email: [info.de@wago.com](mailto:info.de@wago.com) | Web: [www.wago.com](http://www.wago.com)

Do you have any questions about our products?  
We are always happy to take your call at +49 (571) 887-44222.



## Item description

### Short description:

These plug-in units (855 Series) are inductive, single-conductor current transformers. Due to the measurement principle used, these current transformers are exclusively designed for AC network applications.

### Features:

- All-new design with *picoMAX*<sup>®</sup> connection technology
- Ready for space-restricted applications
- Simple assembly permits 17.5 mm phase spacing, allowing perfect adjustment to any circuit breaker.
- Easily mount on DIN-rail or panels via DIN-rail adapter
- Convert current from 64 A or 35 A to 1 A
- Accuracy class: 1

## Data

### Technical Data

Subject to changes. Please also observe the further product documentation!

### Input – current transformer

Primary rated current	64 A
Rated continuous thermal current $I_{cth}$	100 %
Rated short-time thermal current $I_{th}$	$60 \times I_N / 1 \text{ s}$
Rated surge current $I_{dyn}$	$2.5 \times I_{th}$
Rated frequency	50 ... 60 Hz

### Output – Current transformer

Secondary rated current	1 A
Rated power $S_r$	0.2 VA

### Measurement error

Accuracy class	1
----------------	---

### Safety and protection:

Highest voltage for equipment $U_m$	AC 720 V <sub>rms</sub>
Test voltage	AC 3 kV; 50 Hz; 1 min
Protection class	IP20

### Connection data

Connection technology	Push-in CAGE CLAMP®
WAGO terminal	picoMAX® 3.5, 2091-1122
Solid conductor	0,2 ... 1,5 mm <sup>2</sup> / 24 ... 14 AWG
Fine-stranded conductor	0,2 ... 1,5 mm <sup>2</sup> / 24 ... 14 AWG
Strip length	8 ... 9 mm / 0.31 ... 0.35 inch
Feedthrough for measurement conductor	Ø 7.5 mm

### Geometrical Data

Width	27 mm / 1.063 inch
Height	46 mm / 1.811 inch
Depth	23 mm / 0.906 inch

Subject to changes. Please also observe the further product documentation!

## Mechanical data

Type of mounting	Closed current transformer Mounting on DIN-rail via DIN-rail adapter Mounting on round cable
------------------	--

## Material Data

Insulation class	E
Flammability class per UL94	V2
Housing material	PA 66
Weight	44 g

## Environmental Requirements

Surrounding air (operating) temperature	-10 ... 55 °C
Surrounding air (storage) temperature	-20 ... 70 °C
Relative humidity	5 ... 85 % (without condensation)
Max. operating altitude	2000 m

## Standards and specifications


Conformity marking	CE
Standards/specifications	EN 61869-1; EN 61869-2; UL

## Commercial data

Packaging type	BOX
Country of origin	NL
GTIN	4050821864189
Customs Tariff No.	85043180888

## Approvals / Certificates

### UL-Approvals

Logo	Approval	Additional Approval Text	Certificate name
	UL Underwriters Laboratories Inc.	-	E356480

Subject to changes. Please also observe the further product documentation!

## Counterpart

## Compatible products

### assembling



**Item no.: 855-9927**  
Carrier rail adapter

[www.wago.com/855-9927](http://www.wago.com/855-9927)

### tools



**Item no.: 210-719**  
Operating tool; Blade: 2.5 x 0.4 mm; with a partially insulated shaft

[www.wago.com/210-719](http://www.wago.com/210-719)

### General accessories

**Item no.: 2007-8873**  
Compact terminal block; for current and voltage transformers; 6,00 mm<sup>2</sup>; multicoloured

[www.wago.com/2007-8873](http://www.wago.com/2007-8873)

**Item no.: 2007-8874**  
Compact terminal block; for current and voltage transformers; 6,00 mm<sup>2</sup>; multicoloured

[www.wago.com/2007-8874](http://www.wago.com/2007-8874)

**Item no.: 2007-8875**  
Compact terminal block; for current transformer circuit; 6,00 mm<sup>2</sup>; multicoloured

[www.wago.com/2007-8875](http://www.wago.com/2007-8875)



**Item no.: 2007-8876**  
Compact terminal block; for 3-phase current transformer circuit; 6,00 mm<sup>2</sup>; multicoloured

[www.wago.com/2007-8876](http://www.wago.com/2007-8876)



**Item no.: 2007-8877**  
Compact terminal block; for current transformer circuit; 6,00 mm<sup>2</sup>; multicoloured

[www.wago.com/2007-8877](http://www.wago.com/2007-8877)



**Item no.: 2857-570/024-001**  
3-Phase Power Measurement Module; 3x400/690 V/1 A; Modbus RTU; Digital output; Configuration via software; Supply voltage: 24 VDC

[www.wago.com/2857-570/024-001](http://www.wago.com/2857-570/024-001)



**Item no.: 857-550**  
Current signal conditioner; Current input signal; Current and voltage output signal; Digital output; Configuration via software; Supply voltage: 24 VDC; 6 mm module width; 2,50 mm<sup>2</sup>

[www.wago.com/857-550](http://www.wago.com/857-550)

## Downloads

### Documentation

#### Instruction Leaflet

Aufsteck-Stromwandler mit picoMAX - Steckverbinder

pdf  
328.4 kB

[Download](#)

### Additional Information

Subject to changes. Please also observe the further product documentation!

Disposal; Electrical and electronic equipment, Packaging

V 1.0.0

pdf  
265.8 kB

[Download](#)

## Engineering-Software

### Software for Interface-Products

WAGO Interface Configuration Software FULL

1.6.3.7

exe

[Download](#)

The full setup, in addition to the WAGO Interface Configuration Software, includes the installation for the Microsoft .NET Framework.

Sep 17, 2019

98.5 MB

WAGO Interface Configuration Software SMALL

1.6.3.7

exe

[Download](#)

The full setup only includes the WAGO Interface Configuration Software.

Sep 17, 2019

48.0 MB

## CAD/CAE-Data

### CAE data

EPLAN Data Portal 855-2701/064-001

[URL](#)

[Download](#)

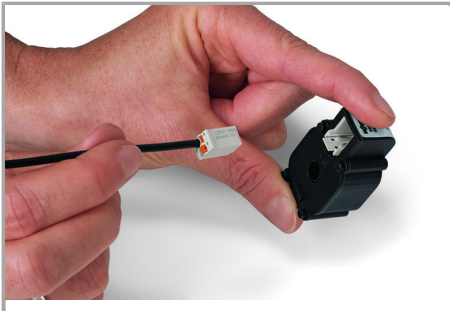
WSCAD Universe 855-2701/064-001

[URL](#)

[Download](#)

## Installation Notes

### Conductor termination



Push-in termination of solid and ferruled conductors



Universal connection for fine-stranded conductors

### Installation

Subject to changes. Please also observe the further product documentation!

WAGO Kontakttechnik GmbH & Co. KG

Hansastr. 27

32423 Minden

Phone: +49571 887-0 | Fax: +49571 887-169

Email: [info.de@wago.com](mailto:info.de@wago.com) | Web: [www.wago.com](http://www.wago.com)

Do you have any questions about our products?

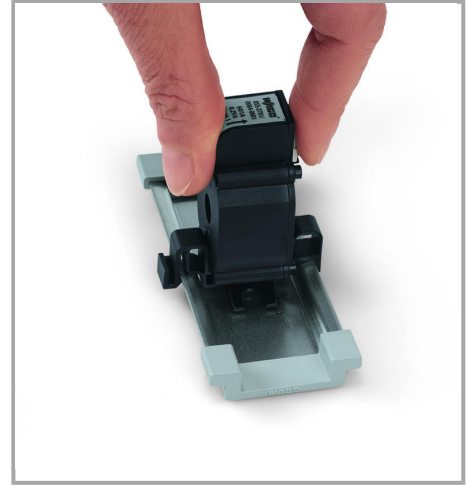
We are always happy to take your call at +49 (571) 887-44222.



Just slide together.



To save space, mount directly above circuit breaker.



Mounting on DIN-rail via carrier rail adapter 855-9927

Subject to changes. Please also observe the further product documentation!