

Data sheet | Item number: 852-201/107-030

SFP module 30: 1310nm; 100Base-FX Single-Mode LC; 30 km; silver-colored

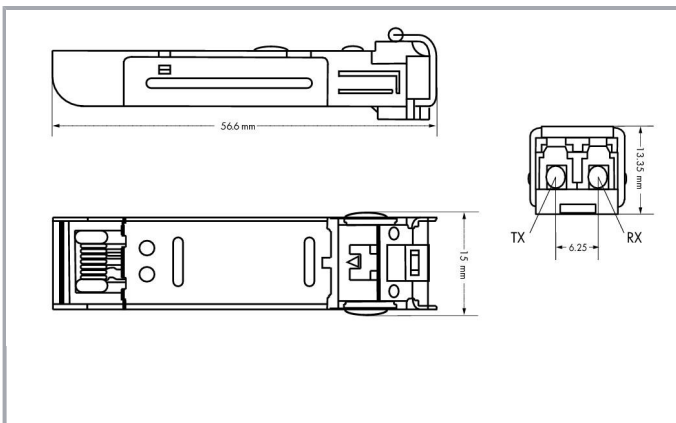
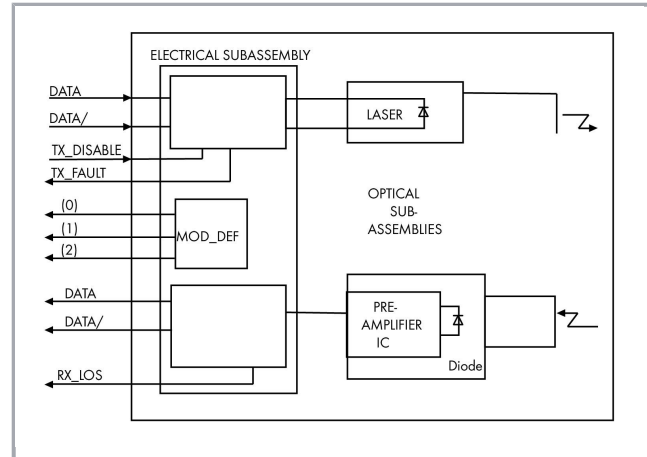
www.wago.com/852-201/107-030



RoHS Compliant

[BOMcheck.net](https://www.bomcheck.net)

Color:



Item description

Features:

- Duplex LC optical connector

Subject to changes. Please also observe the further product documentation!

WAGO Kontakttechnik GmbH & Co. KG

Hansastr. 27

32423 Minden

Phone: +49571 887-0 | Fax: +49571 887-169

Email: info.de@wago.com | Web: www.wago.com

Do you have any questions about our products?

We are always happy to take your call at +49 (571) 887-44222.



- Small Form-Factor Pluggable (SFP) industry-standard design
- Compliant with Fast ETHERNET standard
- Differential LVPECL inputs and outputs
- Power supply: 3.3 V
- TTL signal detect indicator
- Hot-pluggable capability

Data

Technical Data

LWL-Fasertyp	Single-mode
--------------	-------------

Connection data

Connection technology: communication/fieldbus	1 x SFP, LC fiber-optic connectors
Anschlussanforderung zulässige Leitungslänge	30,000 m
Connection requirement (permissible cable type)	Single-mode fiber 9/125 µm, wavelength 1310 nm

Geometrical Data

Width	13,4 mm / 0.528 inch
Height	13,3 mm / 0.524 inch
Depth	56,6 mm / 2.228 inch

Mechanical data

Weight	25.5 g
Color	silver-colored

Environmental Requirements

Surrounding air (operating) temperature	0 ... 60 °C
Surrounding air (storage) temperature	-20 ... 80 °C

Commercial data

Packaging type	BOX
Country of origin	TW
GTIN	4045454635411
Customs Tariff No.	85176200000

Subject to changes. Please also observe the further product documentation!



Counterpart

Downloads

Documentation

Additional Information

Disposal; Electrical and electronic equipment, Packaging	V 1.0.0	pdf 265.8 kB	Download
--	---------	-----------------	----------

System Description

Industrial Switches – General Product Information		pdf 2.0 MB	Download
---	--	---------------	----------

CAD/CAE-Data

CAE data

EPLAN Data Portal 852-201/107-030		URL	Download
-----------------------------------	--	-----	----------

WSCAD Universe 852-201/107-030		URL	Download
--------------------------------	--	-----	----------

Installation Notes

Subject to changes. Please also observe the further product documentation!