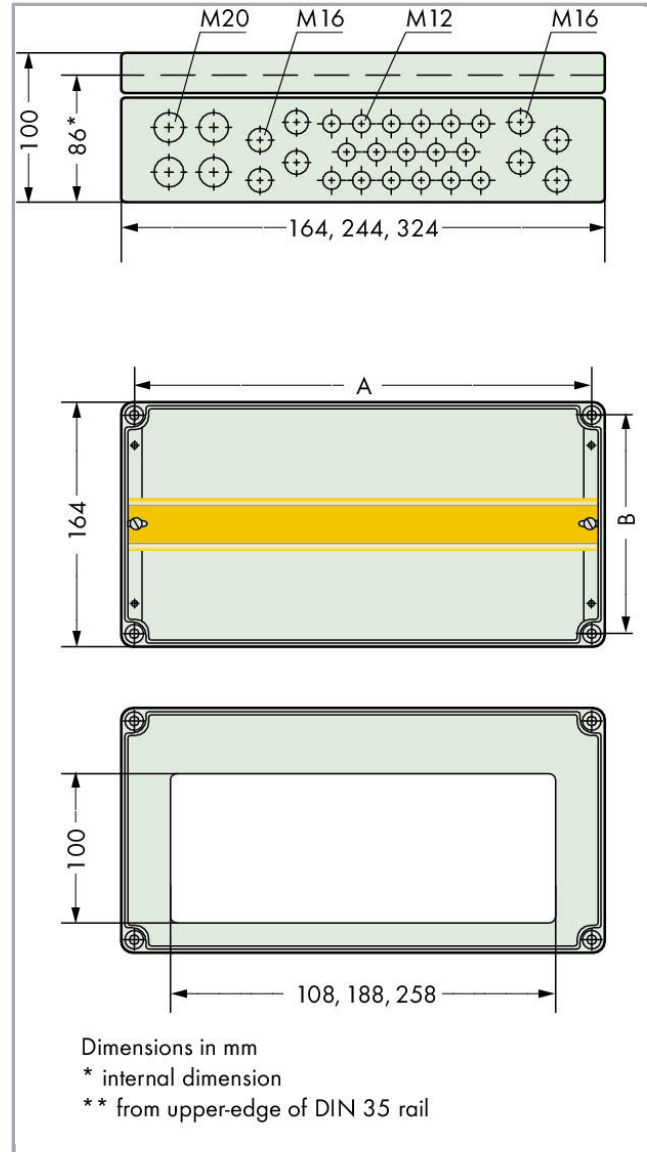
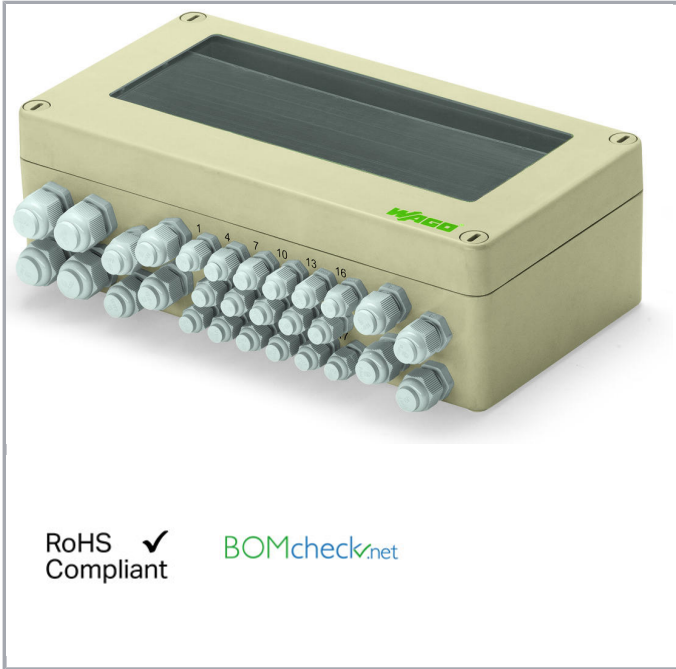


## Data sheet | Item number: 850-834

IP65 enclosure; Polyester (RAL 7032); WxHxD (164x100x164 mm); 9 x M12,  
4 x M20

[www.wago.com/850-834](http://www.wago.com/850-834)



### Item description

#### \* NOTICE:

Fieldbus coupler and end modules must be taken into account!

This applies to 12 mm wide I/O modules. I/O modules with a width of 24 mm count as two I/O modules.

Subject to changes. Please also observe the further product documentation!

WAGO Kontakttechnik GmbH & Co. KG  
Hansastr. 27  
32423 Minden  
Phone: +49571 887-0 | Fax: +49571 887-169  
Email: [info.de@wago.com](mailto:info.de@wago.com) | Web: [www.wago.com](http://www.wago.com)

Do you have any questions about our products?  
We are always happy to take your call at +49 (571) 887-44222.



## Included:

- Polyester enclosure, glass fiber-reinforced, halogen-free, as V0 version (self-extinguishing)
- Polyamide cover screws, captive
- Inspection glass, incl. attachment panel for customer marking (marking not included in scope of supply)
- Mounting holes (4 mounting channels located outside the sealed enclosure)
- Metric cable grips (polyamide PA 6), incl. filler plugs; M12 cable grip, 3–6 mm cable diameter ; M16 cable grip, 5–9 mm cable diameter; M20 cable grip, 9–13 mm cable diameter
- 1 x DIN 35/7.5 rail
- Oil and petroleum-resistant neoprene round chord seal
- Pebble gray, RAL 7032

**Data****Technical Data**

No. of I/O modules	4
--------------------	---

**Geometrical Data**

Width	164 mm / 6.457 inch
-------	---------------------

Height	100 mm / 3.937 inch
--------	---------------------

Depth	164 mm / 6.457 inch
-------	---------------------

Panel cutout (W x H)	(142 x 142) mm
----------------------	----------------

**Mechanical data**

Leitungsdurchführungen, Anzahl	9
--------------------------------	---

Leitungsdurchführungen, Typ	M12 (3 ... 6 mm cable diameter)
-----------------------------	---------------------------------

Leitungsdurchführungen, Anzahl (3)	4
------------------------------------	---

Leitungsdurchführungen, Typ (3)	M20 (cable diameter 9 ... 13 mm)
---------------------------------	----------------------------------

**Material Data**

Weight	1422.3 g
--------	----------

**Environmental Requirements**

Protection class	IP65
------------------	------

**Commercial data**

Product Group	15 (Remote I/O)
---------------	-----------------

Subject to changes. Please also observe the further product documentation!

WAGO Kontakttechnik GmbH & Co. KG

Hansastr. 27

32423 Minden

Phone: +49571 887-0 | Fax: +49571 887-169

Email: [info.de@wago.com](mailto:info.de@wago.com) | Web: [www.wago.com](http://www.wago.com)

Do you have any questions about our products?

We are always happy to take your call at +49 (571) 887-44222.



Packaging type	BOX
Country of origin	DE
GTIN	4017332819626
Customs Tariff No.	85381000900

## Counterpart

## Compatible products

### General accessories



Item no.: 850-903

Pole mounting; 4 clamping brackets; 2 molded rails and 4 clamping profiles in sheet steel; 2 tightening straps in stainless steel [www.wago.com/850-903](http://www.wago.com/850-903)

## Downloads

### Documentation

#### System Description

IP65 System Housing	pdf 490.1 kB	Download
---------------------	-----------------	----------

## CAD/CAE-Data

### CAE data

EPLAN Data Portal 850-834	URL	Download
WSCAD Universe 850-834	URL	Download

## Installation Notes

Subject to changes. Please also observe the further product documentation!

WAGO Kontakttechnik GmbH & Co. KG  
Hansastr. 27  
32423 Minden  
Phone: +49571 887-0 | Fax: +49571 887-169  
Email: [info.de@wago.com](mailto:info.de@wago.com) | Web: [www.wago.com](http://www.wago.com)

Do you have any questions about our products?  
We are always happy to take your call at +49 (571) 887-44222.