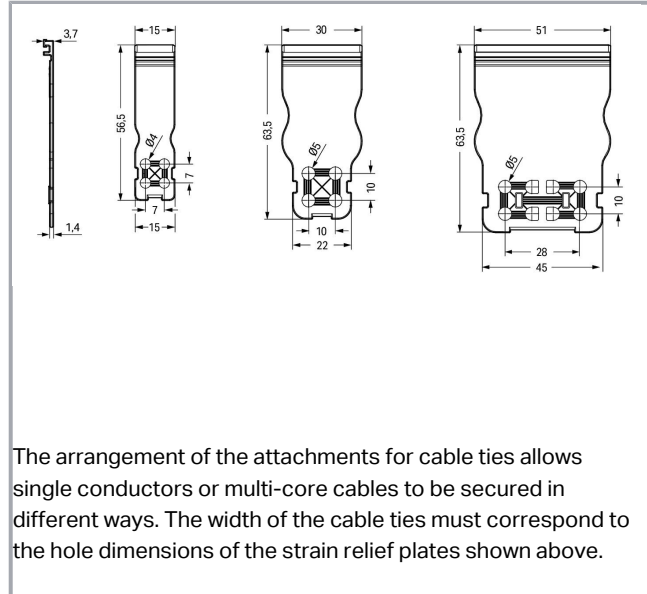




RoHS Compliant

[BOMcheck.net](https://www.bomcheck.net)

Color:



Data

Electrical data

Ratings per IEC/EN 60664-1

Legend (ratings)

(III / 2) ≙ Overvoltage category III / Pollution degree 2

Approvals per UL 1059

Approvals per

UL 1059

Connection data

Number of connection types

1

Subject to changes. Please also observe the further product documentation!



Geometrical Data

Width	30 mm / 1.181 inch
-------	--------------------

Mechanical data

Suitable	for 1-conductor male and female connectors
----------	--

Material Data

Color	light gray
-------	------------

Weight	2.6 g
--------	-------

Commercial data

Packaging type	BOX
----------------	-----

Country of origin	DE
-------------------	----

GTIN	4055143371605
------	---------------

Customs Tariff No.	85389099990
--------------------	-------------

Counterpart

Downloads

Documentation

Additional Information

Technical explanations	Apr 3, 2019	pdf 3.6 MB	Download
------------------------	-------------	---------------	----------

CAD/CAE-Data

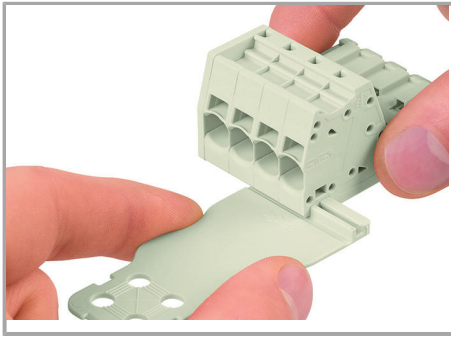
CAD data

2D/3D Models 831-505	URL	Download
----------------------	-----	----------

Installation Notes

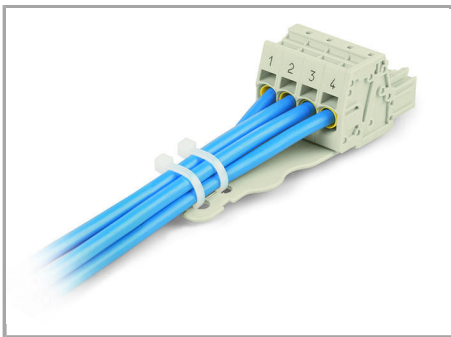
Assembly

Subject to changes. Please also observe the further product documentation!



Strain relief plate for field assembly

Application



Strain relief plate, pre-assembled,

1-conductor female connector,

4-pole, 7.62 mm pin spacing,

light gray (831-3104/135-000)

Subject to changes. Please also observe the further product documentation!