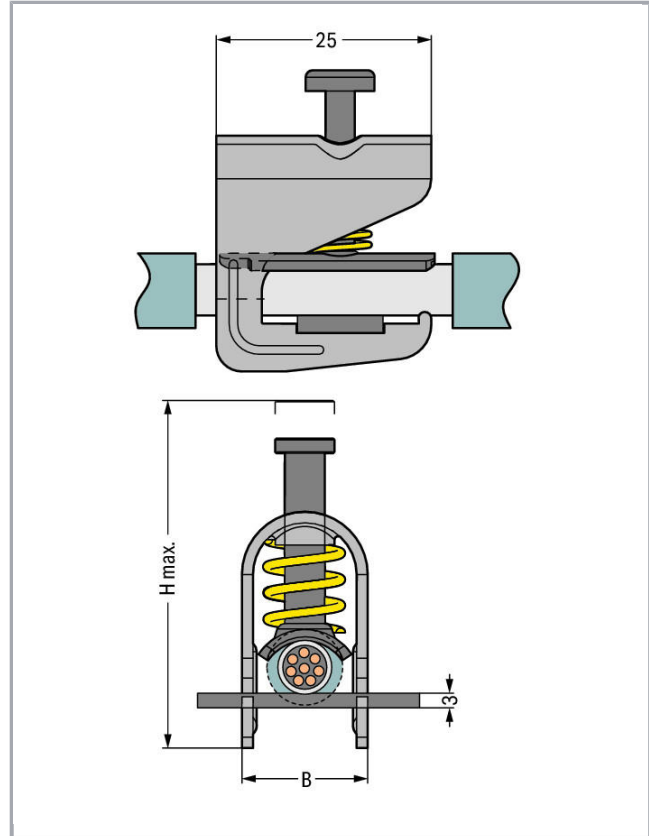


Data sheet | Item number: 791-117

Shield clamp; diameter of compatible conductor; 10 mm to 17 mm; H max.
63 mm; 23 mm wide

www.wago.com/791-117



Item description

Safety information 1:

Note: Not suitable for connecting ground conductors!

Subject to changes. Please also observe the further product documentation!

WAGO Kontakttechnik GmbH & Co. KG
Hansastr. 27
32423 Minden
Phone: +49571 887-0 | Fax: +49571 887-169
Email: info.de@wago.com | Web: www.wago.com

Do you have any questions about our products?
We are always happy to take your call at +49 (571) 887-44222.



Data

Technical Data

Main product function	Shield termination
Safety information 1	Note: Not suitable for connecting ground conductors!

Material Data

Weight	36 g
Material	Brass

Commercial data

Product Group	2 (Terminal Block Accessories)
Packaging type	BOX
Country of origin	CH
GTIN	4045454007621
Customs Tariff No.	85369010000

Counterpart

Compatible products

N-busbar

Item no.: 210-133 Busbar; tin-plated; 1000 mm long; Cu 10 mm x 3 mm	www.wago.com/210-133
Item no.: 790-133 Busbar; tin-plated; 30 mm long; Cu 10 mm x 3 mm	www.wago.com/790-133
Item no.: 790-134 Busbar; tin-plated; 50 mm long; Cu 10 mm x 3 mm	www.wago.com/790-134

Downloads

CAD/CAE-Data

CAD data

2D/3D Models 791-117	URL	Download
----------------------	-----	----------

CAE data

Subject to changes. Please also observe the further product documentation!

WAGO Kontakttechnik GmbH & Co. KG
Hansastr. 27
32423 Minden
Phone: +49571 887-0 | Fax: +49571 887-169
Email: info.de@wago.com | Web: www.wago.com

Do you have any questions about our products?
We are always happy to take your call at +49 (571) 887-44222.



Installation Notes

Subject to changes. Please also observe the further product documentation!

WAGO Kontakttechnik GmbH & Co. KG
Hansastr. 27
32423 Minden
Phone: +49571 887-0 | Fax: +49571 887-169
Email: info.de@wago.com | Web: www.wago.com

Do you have any questions about our products?
We are always happy to take your call at +49 (571) 887-44222.