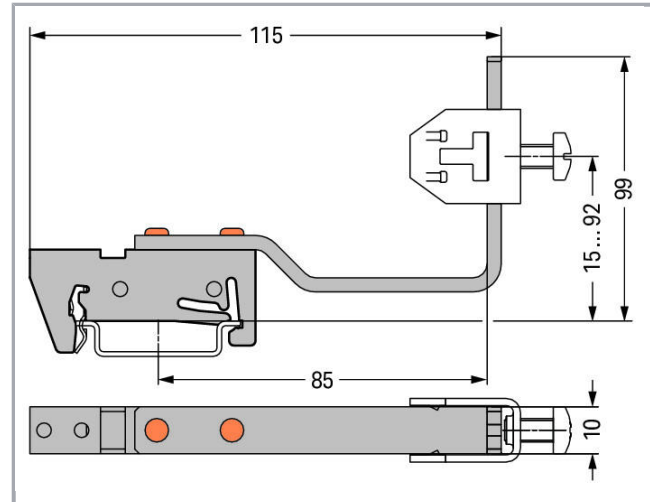


Data sheet | Item number: 790-362/790-398

Busbar carrier; for busbars Cu 10 mm x 3 mm; flexible; for DIN 35 rail; gray

www.wago.com/790-362/790-398



RoHS Compliant

[BOMcheck.net](https://www.bomcheck.net)

Color: ■

Data

Technical Data

Main product function

Shield termination

Material Data

| | |
|--------|--------|
| Color | gray |
| Weight | 70.3 g |

Commercial data

| | |
|-------------------|---------------|
| Packaging type | BOX |
| Country of origin | DE |
| GTIN | 4055143363044 |

Subject to changes. Please also observe the further product documentation!

WAGO Kontakttechnik GmbH & Co. KG
Hansastr. 27
32423 Minden
Phone: +49571 887-0 | Fax: +49571 887-169
Email: info.de@wago.com | Web: www.wago.com

Do you have any questions about our products?
We are always happy to take your call at +49 (571) 887-44222.

Customs Tariff No.

39269097900

Counterpart

Compatible products

N-busbar

Item no.: 210-133

Busbar; tin-plated; 1000 mm long; Cu 10 mm x 3 mm

www.wago.com/210-133

Item no.: 790-134

Busbar; tin-plated; 50 mm long; Cu 10 mm x 3 mm

www.wago.com/790-134

Downloads

CAD/CAE-Data

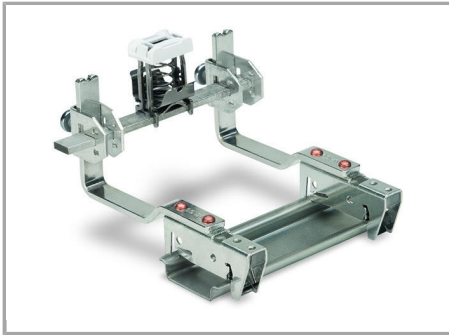
CAD data

2D/3D Models 790-362/790-398

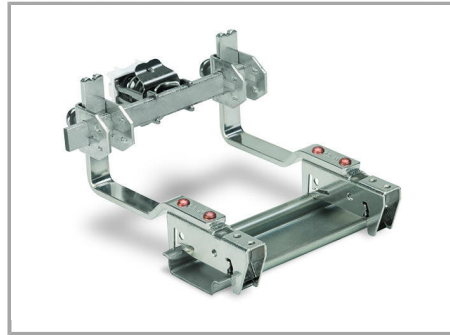
URL

Download

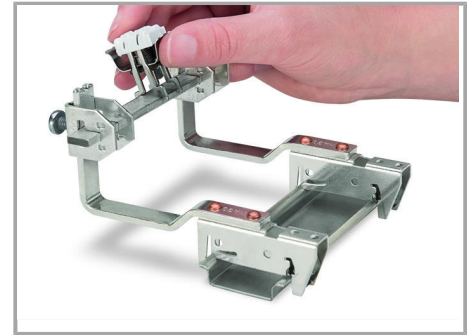
Installation Notes



Horizontal mounting position of the busbar



Vertical mounting position of the busbar



Subject to changes. Please also observe the further product documentation!

WAGO Kontakttechnik GmbH & Co. KG

Hansastr. 27

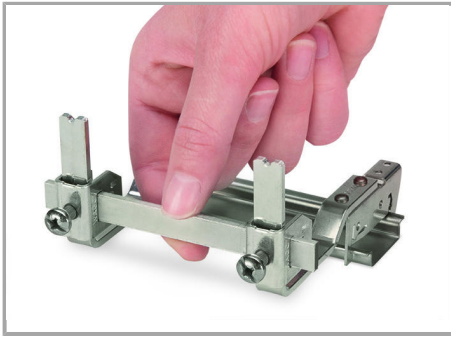
32423 Minden

Phone: +49571 887-0 | Fax: +49571 887-169

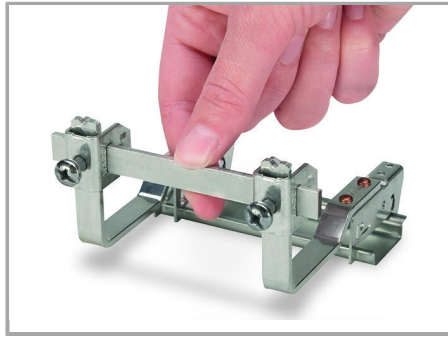
Email: info.de@wago.com | Web: www.wago.com

Do you have any questions about our products?

We are always happy to take your call at +49 (571) 887-44222.



The height of the busbar can be adjusted.



Secure the busbar by tightening the screws at the required position.

Subject to changes. Please also observe the further product documentation!