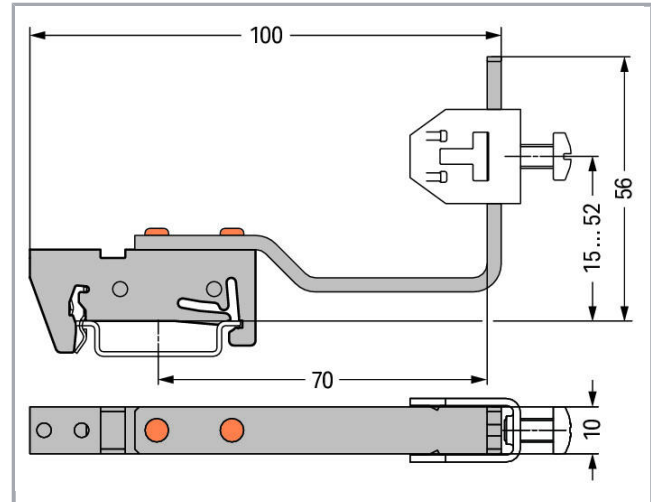
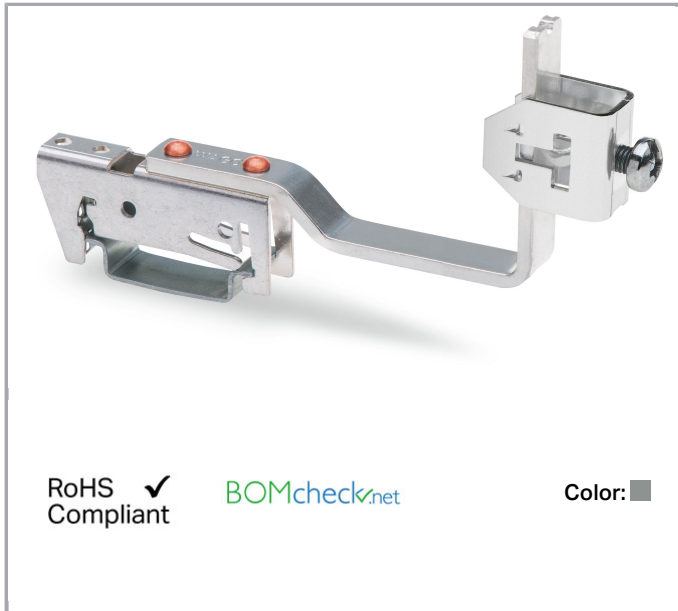


Data sheet | Item number: 790-350/790-398

Busbar carrier; for busbars Cu 10 mm x 3 mm; flexible; for DIN 35 rail; gray

www.wago.com/790-350/790-398



Data

Technical Data

Main product function

Shield termination

Material Data

Color	gray
Weight	57 g
Material	Steel coated

Commercial data

Packaging type	BOX
Country of origin	DE
GTIN	4055143363068
Customs Tariff No.	39269097900

Counterpart

Subject to changes. Please also observe the further product documentation!

WAGO Kontakttechnik GmbH & Co. KG
Hansastr. 27
32423 Minden
Phone: +49571 887-0 | Fax: +49571 887-169
Email: info.de@wago.com | Web: www.wago.com

Do you have any questions about our products?
We are always happy to take your call at +49 (571) 887-44222.

Compatible products

N-busbar

Item no.: 210-133

Busbar; tin-plated; 1000 mm long; Cu 10 mm x 3 mm

www.wago.com/210-133

Item no.: 790-134

Busbar; tin-plated; 50 mm long; Cu 10 mm x 3 mm

www.wago.com/790-134

Downloads

CAD/CAE-Data

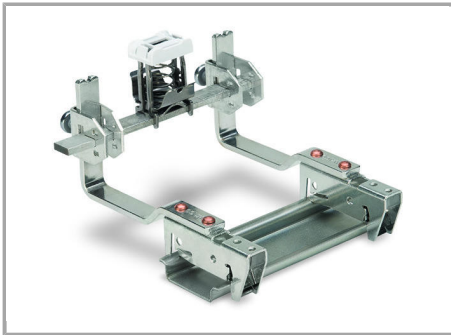
CAD data

2D/3D Models 790-350/790-398

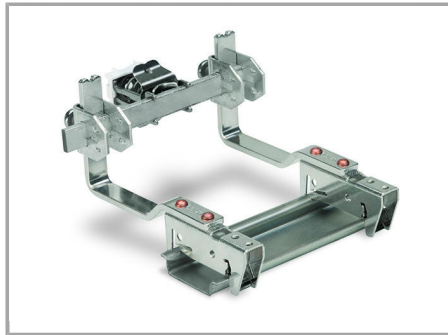
URL

Download

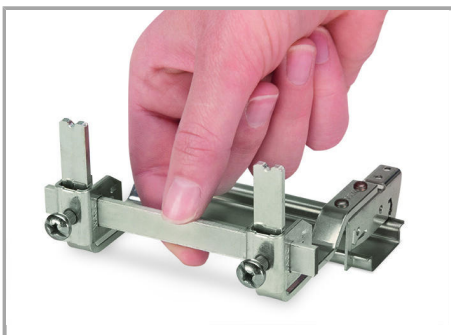
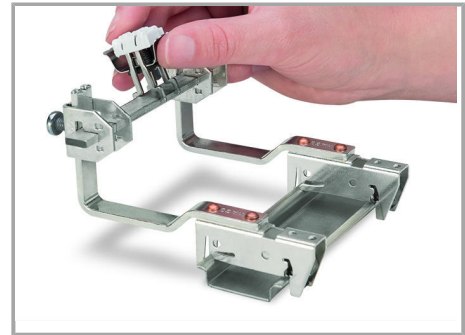
Installation Notes



Horizontal mounting position of the busbar



Vertical mounting position of the busbar



The height of the busbar can be adjusted.

Subject to changes. Please also observe the further product documentation!

WAGO Kontakttechnik GmbH & Co. KG

Hansastr. 27

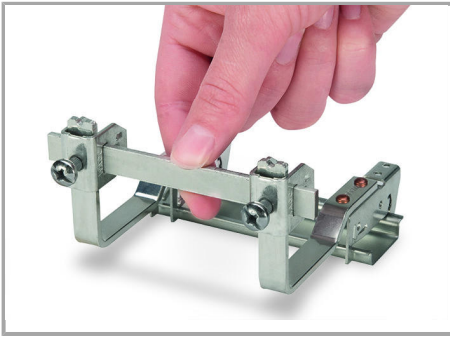
32423 Minden

Phone: +49571 887-0 | Fax: +49571 887-169

Email: info.de@wago.com | Web: www.wago.com

Do you have any questions about our products?

We are always happy to take your call at +49 (571) 887-44222.



Secure the busbar by tightening the screws at the required position.

Subject to changes. Please also observe the further product documentation!