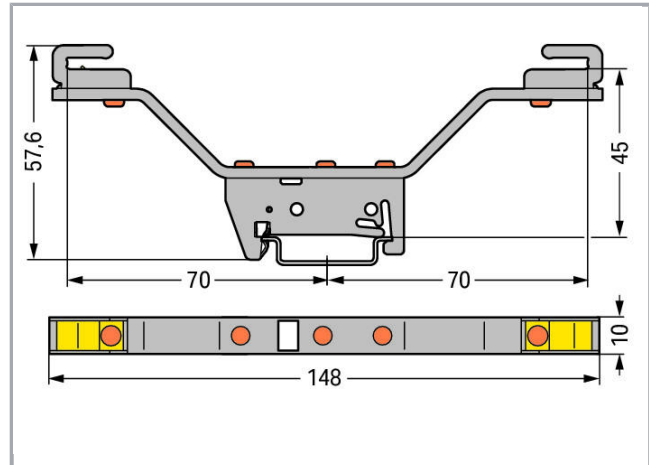
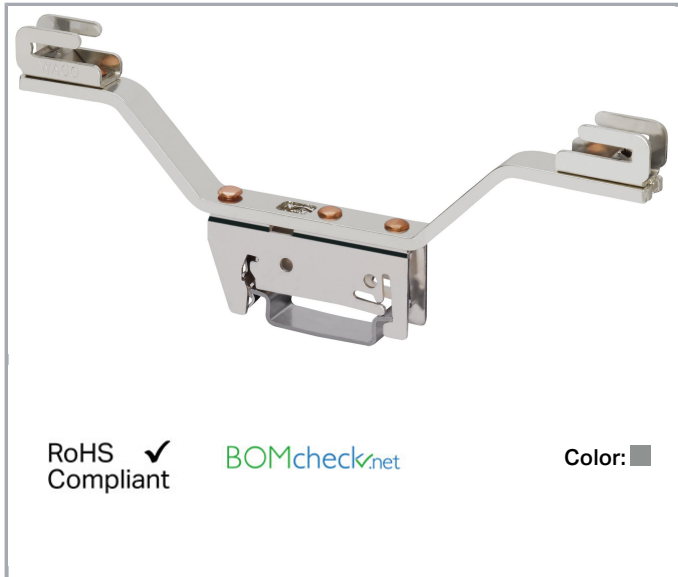


Data sheet | Item number: 790-311

Busbar carrier; for busbars Cu 10 mm x 3 mm; both sides, angled; for DIN 35 rail; gray



www.wago.com/790-311



Data

Technical Data

Main product function

Shield termination

Material Data

Color gray
Weight 59.6 g

Commercial data

Product Group 2 (Terminal Block Accessories)
Packaging type BOX
Country of origin DE
GTIN 4045454897871
Customs Tariff No. 39269097900

Counterpart

Subject to changes. Please also observe the further product documentation!

WAGO Kontakttechnik GmbH & Co. KG
Hansastr. 27
32423 Minden
Phone: +49571 887-0 | Fax: +49571 887-169
Email: info.de@wago.com | Web: www.wago.com

Do you have any questions about our products?
We are always happy to take your call at +49 (571) 887-44222.

Compatible products

N-busbar

Item no.: 210-133

Busbar; tin-plated; 1000 mm long; Cu 10 mm x 3 mm

www.wago.com/210-133

Item no.: 790-134

Busbar; tin-plated; 50 mm long; Cu 10 mm x 3 mm

www.wago.com/790-134

Downloads

CAD/CAE-Data

CAD data

2D/3D Models 790-311

[URL](#)

[Download](#)

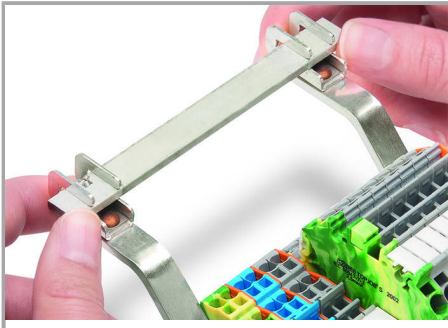
CAE data

WSCAD Universe 790-311

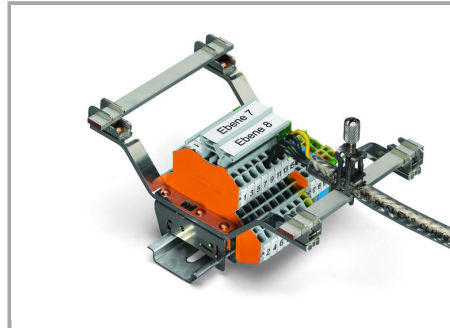
[URL](#)

[Download](#)

Installation Notes



Place the busbar in the busbar carrier.



Application example

Subject to changes. Please also observe the further product documentation!

WAGO Kontakttechnik GmbH & Co. KG

Hansastr. 27

32423 Minden

Phone: +49571 887-0 | Fax: +49571 887-169

Email: info.de@wago.com | Web: www.wago.com

Do you have any questions about our products?

We are always happy to take your call at +49 (571) 887-44222.