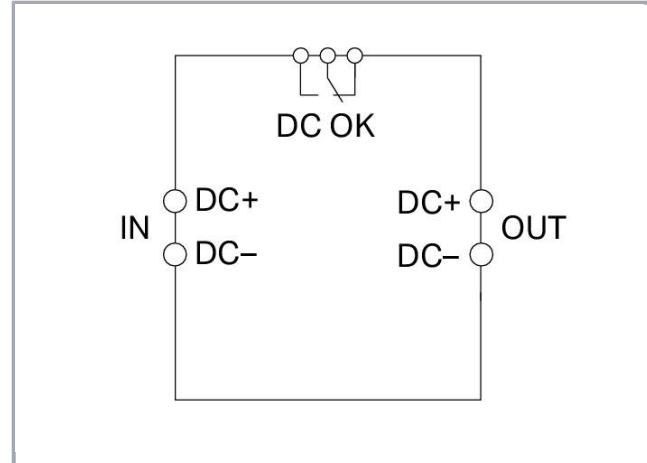


**Data sheet | Item number: 787-916**

capacitive buffer module; 24 VDC input voltage; 24 VDC output voltage; 40 A output current; Buffer time: 0.3 ... 6.6 s



[www.wago.com/787-916](http://www.wago.com/787-916)



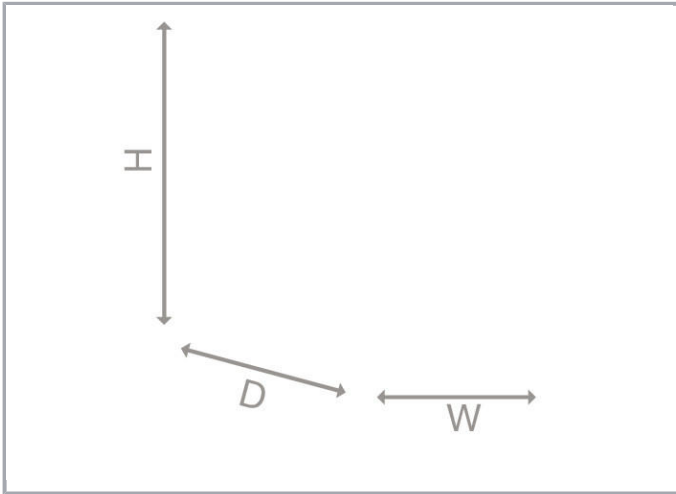
RoHS Compliant

[BOMcheck.net](http://BOMcheck.net)

Subject to changes. Please also observe the further product documentation!

WAGO Kontakttechnik GmbH & Co. KG  
Hansastr. 27  
32423 Minden  
Phone: +49571 887-0 | Fax: +49571 887-169  
Email: [info.de@wago.com](mailto:info.de@wago.com) | Web: [www.wago.com](http://www.wago.com)

Do you have any questions about our products?  
We are always happy to take your call at +49 (571) 887-44222.



## Item description

### Features:

- Capacitive buffer module bridges short duration voltage drops or load fluctuations.
- Internal diode between input and output enables operation with a decoupled output.
- Potential-free contact for charge condition monitoring

## Data

### Technical Data

#### Input

Nominal input voltage $U_{i \text{ nom}}$	DC 24 V
Input voltage range	DC 23 ... 30 V
Nominal mains frequency range	0 Hz
Input current $I_i$	$\leq 0,06 \text{ A}$ (No load); $\leq 0,8 \text{ A}$ (Charging); $\leq 40,8 \text{ A}$

#### Output

Nominal output voltage $U_{o \text{ nom}}$	DC 24 V
Output voltage range	$U_i - 0.5 \text{ VDC}$ (mains operation; $I_o = 20 \text{ A}$ ); $U_i - 0.8 \text{ VDC}$ (mains operation; $I_o = 40 \text{ A}$ ); 20 ... 29 VDC (buffer mode)
Nominal output current $I_{o \text{ nom}}$	40 A

Subject to changes. Please also observe the further product documentation!



## Energy storage

Buffer time	0,3 ... 6,6 s (depends on load current and temperature)
Charging time typ.	2.5 min

## Signaling and communication

Signaling	1 x LED DC OK (green) 1 x UPS LED (yellow) 1 x Warning LED (red) 1 x Isolated relay contact (max. 30 VDC; 1 A)
Operation status indicator	Green LED (DC OK) Yellow LED (buffer mode/charging) Red LED (warning)

## Efficiency/Power losses:

Power loss $P_1$	$\leq 1,9$ W (Operation without decoupled output); $\leq 11,5$ W (Operation with uncoupled output; $I_o = 20$ A); $\leq 33,5$ W (Operation with uncoupled output; $I_o = 40$ A)
Efficiency (typ.)	96,5 %

## Fuse protection:

Internal fuse	No
External fuse (recommended)	T 40 A

## Safety and protection:

Insulation voltage (connectors-housing)	DC 0,5 kV
Protection class	III
Protection class	IP20 (per EN 60529)
Reverse voltage protection	yes
Parallel operation	No
Series connection	No
Service life	74,000 h (25 °C; $I_a = 40$ A); 28,200 h (40 °C; $I_a = 40$ A)

## Connection data

Connection type (1)	Input/Output
Connection technology	Push-in CAGE CLAMP®

Subject to changes. Please also observe the further product documentation!



WAGO terminal	WAGO 2636 Series
Solid conductor	0,75 ... 16 mm <sup>2</sup> / 18 ... 4 AWG
Fine-stranded conductor	0,75 ... 25 mm <sup>2</sup> / 18 ... 4 AWG
Fine-stranded conductor with ferrule with plastic collar	0,75 ... 16 mm <sup>2</sup>
Fine-stranded conductor with ferrule without plastic collar	0,75 ... 16 mm <sup>2</sup>
Strip length	18 ... 20 mm / 0.71 ... 0.79 inch
Connection type (2)	Signaling
Connection technology 2	CAGE CLAMP®
WAGO terminal 2	WAGO 741 Series
Solid conductor (2)	0,08 ... 2,5 mm <sup>2</sup> / 28 ... 12 AWG
Fine-stranded conductor (2)	0,08 ... 2,5 mm <sup>2</sup> / 28 ... 12 AWG
Fine-stranded conductor with insulated ferrule (2)	0,25 ... 1,5 mm <sup>2</sup> /
Fine-stranded conductor with uninsulated ferrule (2)	0,25 ... 1,5 mm <sup>2</sup> /
Strip length (2)	5 ... 6 mm / 0.2 ... 0.24 inch

### Geometrical Data

Width	68 mm / 2.677 inch
Height	181 mm / 7.126 inch
Length from upper-edge of DIN-35 rail	162 mm / 6.38 inch

### Mechanical data

Type of mounting	DIN-35 rail (EN 60715)
------------------	------------------------

### Material Data

Weight	900 g
--------	-------

### Environmental Requirements

Surrounding air (operating) temperature	-10 ... 50 °C
Surrounding air (storage) temperature	-10 ... 60 °C
Relative humidity	5 ... 95 % (no condensation permissible)
Pollution degree	2

### Standards and specifications

Conformity marking	CE
Standards/specifications	EN 62368-1; EN 61000-6-2; EN 61000-6-3; CSA* (*pending)

Subject to changes. Please also observe the further product documentation!

WAGO Kontakttechnik GmbH & Co. KG  
 Hansastr. 27  
 32423 Minden  
 Phone: +49571 887-0 | Fax: +49571 887-169  
 Email: [info.de@wago.com](mailto:info.de@wago.com) | Web: [www.wago.com](http://www.wago.com)


Do you have any questions about our products?  
 We are always happy to take your call at +49 (571) 887-44222.

## Commercial data

Packaging type	BOX
Country of origin	DE
GTIN	4055143825603
Customs Tariff No.	85044082900

## Approvals / Certificates

### Country specific Approvals

Logo	Approval	Additional Approval Text	Certificate name
	EAC Brjansker Zertifizierungsstelle	TP TC 004/2011, TP TC 020/2011	EAC RU C-DE.AM02.B. 00089_19

## Counterpart

### Downloads

#### Documentation

##### Instruction Leaflet

Capacitive Buffer module DC 24 V, 40 A	Jun 13, 2019	pdf 2.2 MB	Download
---	--------------	---------------	----------

##### Additional Information

Disposal; Electrical and electronic equipment, Packaging	V 1.0.0	pdf 265.8 kB	Download
--	---------	-----------------	----------

## Installation Notes

Subject to changes. Please also observe the further product documentation!