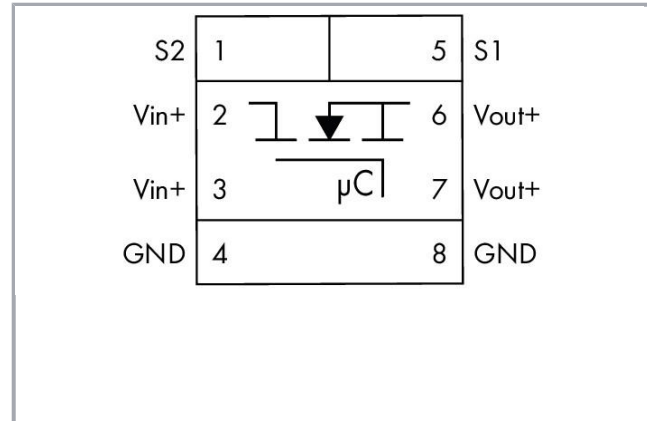
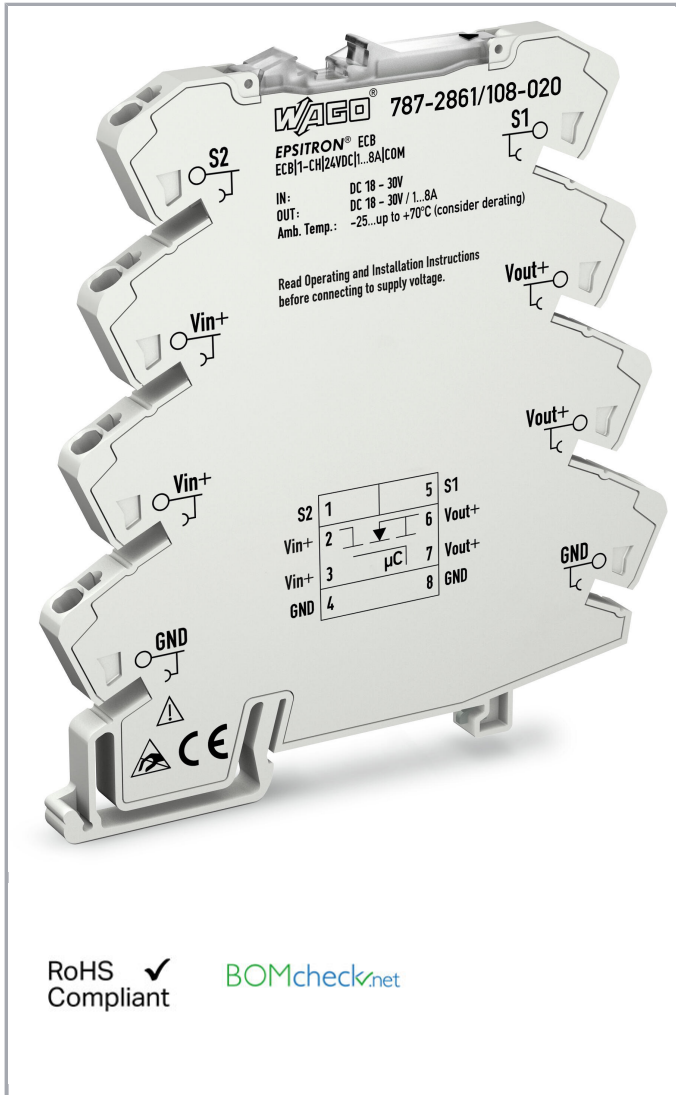


Data sheet | Item number: 787-2861/108-020

electronic circuit breaker; 1-channel; 24 VDC input voltage; adjustable 1 ... 8 A; Signal contact



www.wago.com/787-2861/108-020



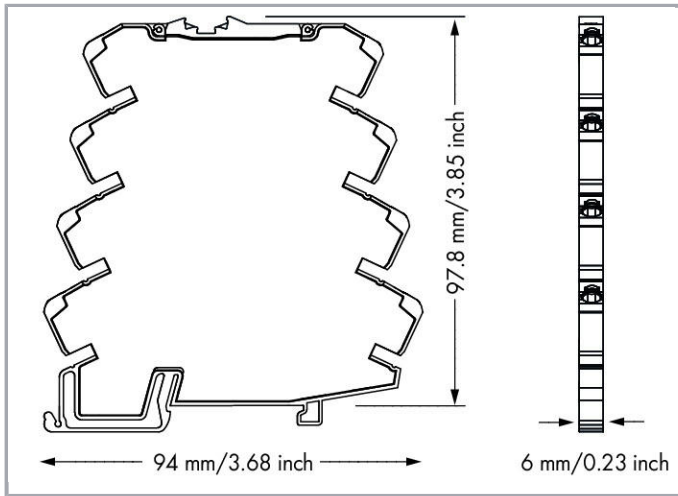
RoHS Compliant

BOMcheck.net

Subject to changes. Please also observe the further product documentation!

WAGO Kontakttechnik GmbH & Co. KG
 Hansastr. 27
 32423 Minden
 Phone: +49571 887-0 | Fax: +49571 887-169
 Email: info.de@wago.com | Web: www.wago.com

Do you have any questions about our products?
 We are always happy to take your call at +49 (571) 887-44222.



Item description

Features:

- Space-saving ECB with one channel
- Reliably and safely trips in the event of an overload and short circuit on the secondary side
- Switch-on capacity > 50,000 μ F
- Enables the use of an economical, standard power supply
- Minimizes wiring via two voltage outputs and maximizes commoning options on both input and output sides (e.g., commoning of the output voltage on 857 and 2857 Series devices)
- Status signal – adjustable as single or group message
- Reset, switch on/off via remote input or local switch
- Prevents power supply overload due to total inrush current thanks to time-delayed switching on during interconnected operation

Data

Technical Data

Input

Nominal input voltage $U_{i \text{ nom}}$	DC 24 V
Input voltage range	DC 18 ... 30 V

Output

Total number of channels (module)	1
Nominal output voltage $U_{o \text{ nom}}$	1 x DC 24 V
Output voltage range	DC 18 ... 30 V (U_e – voltage drop)
Voltage drop	≤ 160 mV

Subject to changes. Please also observe the further product documentation!



Nominal output current $I_{o\text{ nom}}$	1 x 1 / 2 / 3 / 4 / 5 / 6 / 7 / 8 A (adjustable)
Factory preset	DC 1 A; switched off
Trip time	4 ms ... 100 s (Load-dependent)
Switch-on capacity	> 50000 μF per channel
Switch-on behavior	Time-delayed channel switching (load-dependent, min. 170 ms/max. 500 ms)
Active Current Limitation	no

Signaling and communication

Signaling	1 x Status LED (green/yellow/red/blue/violet) 1 x Control input 1 x active signal output (U_i , max. 4 mA)
Operation status indicator	Green LED (channel OK) Red LED (tripped channel)
Remote input	18 ... 30 VDC signal, switches on/off and resets the channel

Efficiency/Power losses:

Power loss P_l	$\leq 0,3$ W (No load)
Efficiency (typ.)	98 %

Fuse protection:

Internal fuse	T 15 A
---------------	--------

Safety and protection:

Insulation voltage (connectors-housing)	DC 0,5 kV
Protection class	III
Protection class	IP20 (per EN 60529)
Reverse voltage protection	No
Transient protection, primary	Suppressor diode (33 V)
Parallel operation of single channels	Not permitted
Series connection	No
MTBF	1,262,142 h (per MIL-HDBK-217F2)

Connection data

Number of jumper slots	8
Connection technology	

Subject to changes. Please also observe the further product documentation!



	Push-in CAGE CLAMP®
WAGO terminal	WAGO 857 Series
Solid conductor	0,08 ... 2,5 mm ² / 28 ... 14 AWG
Fine-stranded conductor	0,34 ... 2,5 mm ² / 22 ... 14 AWG
Strip length	9 ... 10 mm / 0.35 ... 0.39 inch

Geometrical Data

Width	6 mm / 0.236 inch
Height from upper-edge of DIN-35 rail	97,8 mm / 3.85 inch
Depth	94 mm / 3.701 inch

Mechanical data

Type of mounting	DIN-35 rail (EN 60715)
------------------	------------------------

Material Data

Fire load	0.405 MJ
Weight	38.4 g

Environmental Requirements

Surrounding air (operating) temperature	-25 ... 70 °C (Derating must be observed)
Surrounding air (storage) temperature	-40 ... 85 °C
Relative humidity	10 ... 95 % (no condensation permissible)
Derating	See instruction manual
Pollution degree	2

Standards and specifications

Conformity marking	CE
Standards/specifications	EN 61000-6-2; EN 61000-6-3; UL 61010-2-201; DNV GL* (*pending)

Commercial data

Packaging type	BOX
Country of origin	DE
GTIN	4055143693172
Customs Tariff No.	85363010900


Subject to changes. Please also observe the further product documentation!

WAGO Kontakttechnik GmbH & Co. KG
 Hansastr. 27
 32423 Minden
 Phone: +49571 887-0 | Fax: +49571 887-169
 Email: info.de@wago.com | Web: www.wago.com

Do you have any questions about our products?
 We are always happy to take your call at +49 (571) 887-44222.

Approvals / Certificates

UL-Approvals

Logo	Approval	Additional Approval Text	Certificate name
	UL Underwriters Laboratories Inc. (ORDINARY LOCATIONS)	UL 2367	E175199 Vol.3 Sec. 2 Series 0787 ECB

Counterpart

Downloads

Documentation

Manual

Electronic Circuit Breaker 24 VDC / 1...8 A	V 1.3.1 Dec 16, 2019	pdf 3.0 MB	Download
--	-------------------------	---------------	----------

Instruction Leaflet

Electronic Circuit Breaker	V 1.3.0	pdf 3.8 MB	Download
----------------------------	---------	---------------	----------

Additional Information

Disposal; Electrical and electronic equipment, Packaging	V 1.0.0	pdf 265.8 kB	Download
--	---------	-----------------	----------

CAD/CAE-Data

CAD data

2D/3D Models 787-2861/108-020	URL	Download
-------------------------------	-----	----------

Installation Notes

Subject to changes. Please also observe the further product documentation!

WAGO Kontakttechnik GmbH & Co. KG
 Hansastr. 27
 32423 Minden
 Phone: +49571 887-0 | Fax: +49571 887-169
 Email: info.de@wago.com | Web: www.wago.com

Do you have any questions about our products?
 We are always happy to take your call at +49 (571) 887-44222.