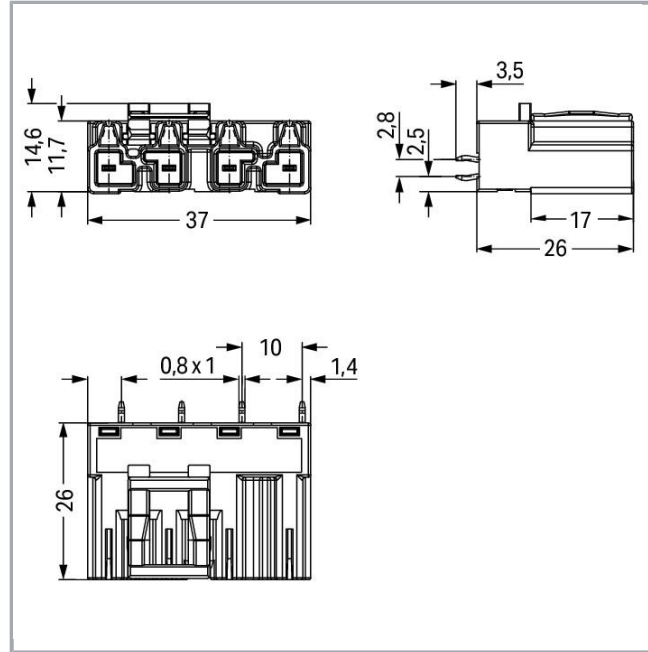


Data sheet | Item number: 770-854/064-000

Plug for PCBs; straight; 4-pole; Cod. B; gray

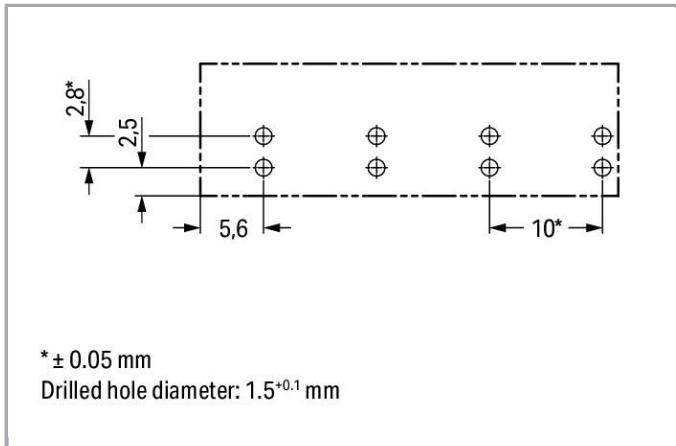
[www.wago.com/770-854/064-000](http://www.wago.com/770-854/064-000)



Subject to changes. Please also observe the further product documentation!

WAGO Kontakttechnik GmbH & Co. KG  
Hansastr. 27  
32423 Minden  
Phone: +49571 887-0 | Fax: +49571 887-169  
Email: [info.de@wago.com](mailto:info.de@wago.com) | Web: [www.wago.com](http://www.wago.com)

Do you have any questions about our products?  
We are always happy to take your call at +49 (571) 887-44222.



### Item description

- Protected against mismatching and maintenance-free
- Push-in CAGE CLAMP® spring pressure connection technology allows solid conductors to be simply pushed into a unit
- Two-wire connection per pole for loops or bridges
- Additional variable coding is possible
- Components can be clearly printed on and color-coded to meet custom requirements

#### Note:

All connectors for mounted installations (snap-in versions for lighting fixtures or devices, all types of PCB and distribution connectors) are factory-equipped with locking levers to ensure plugs and sockets are securely locked. Additional locking levers are only required for flying leads (plug /socket).

#### Note on mismatching protection:

All WINSTA® components are 100% protected against mismatching when:

- a.) plugging different numbers of poles
- b.) plugging while rotated 180
- c.) plugging while laterally staggered
- d.) plugging one pole

#### Safety information 1:

Application note for the U.S. market (USR): Some versions may also be used for current interruption in accordance with the UL certificate in select applications with currents below 16 A and voltages up to 600 V. For further information, please contact your local sales office.

### Data

#### Electrical data

Note on Contact Resistance

approx. 1 mΩ of contact resistance approx. 0.25 mΩ contact transition plug/socket

Subject to changes. Please also observe the further product documentation!



### Ratings per IEC/EN 60664-1

| Ratings per                     | IEC/EN 60664-1                                                    |
|---------------------------------|-------------------------------------------------------------------|
| Rated voltage (III / 3)         | 400 V                                                             |
| Rated impulse voltage (III / 3) | 6 kV                                                              |
| Rated current                   | 25 A                                                              |
| Legend (ratings)                | (III / 3) $\hat{=}$ Overvoltage category III / Pollution degree 3 |

### Approvals per UL 1977

|                                                 |       |
|-------------------------------------------------|-------|
| Rated voltage per UL 1977 (factory wiring only) | 600 V |
| Rated current per UL 1977 (factory wiring only) | 23 A  |

### Connection data

|                            |   |
|----------------------------|---|
| No. of poles               | 4 |
| Total number of potentials | 4 |
| Number of levels           | 1 |

### Geometrical Data

|                                   |                                   |
|-----------------------------------|-----------------------------------|
| Pin spacing                       | 10 mm / 0.394 inch                |
| Width                             | 37 mm / 1.457 inch                |
| Height                            | 29,5 mm / 1.161 inch              |
| Height from the surface           | 26 mm / 1.024 inch                |
| Depth                             | 14,6 mm / 0.575 inch              |
| Solder pin length                 | 3.5 mm                            |
| Solder pin dimensions             | 1 x 0,8 mm                        |
| Drilled hole diameter (tolerance) | 1,5 <sup>(-0,1 ... +0,1)</sup> mm |

### Mechanical data

|                                         |                                                                                                          |
|-----------------------------------------|----------------------------------------------------------------------------------------------------------|
| Coding                                  | B                                                                                                        |
| Mating force of a plug-in connection    | approx. 20 ... 70 N (depending on pole number)                                                           |
| Retention force of a plug-in connection | Locked: > 80 N                                                                                           |
| Unmating force of a plug-in connection  | Unlocked: approx. 20 ... 70 N (depending on pole number)                                                 |
| Number of mating cycles                 | 200, without resistive load<br>100, with resistive load $I_N = 25$ A, tested (4 mm <sup>2</sup> /AWG 12) |

Subject to changes. Please also observe the further product documentation!



|                   |          |
|-------------------|----------|
| Design            | straight |
| Marking           | 2L 1L L  |
| Potential marking | 2L 1L L  |

### Plug connection

|                                    |                     |
|------------------------------------|---------------------|
| Contact type (pluggable connector) | Male connector/plug |
| Connector connection type          | for PCB             |
| Mismating protection               | Yes                 |
| Mating direction to the PCB        | 90°                 |
| Locking of plug-in connection      | locking lever       |
| Locking lever                      | yes                 |

### PCB contact

|                                     |                            |
|-------------------------------------|----------------------------|
| PCB contact                         | THT                        |
| Solder pin arrangement              | 2 in-line solder pins/pole |
| Number of solder pins per potential | 2                          |

### Material Data

|                          |                                          |
|--------------------------|------------------------------------------|
| Color                    | gray                                     |
| Insulating material      | Polyamide 66 (PA 66)                     |
| Clamping spring material | Chrome nickel spring steel (CrNi)        |
| Contact material         | Copper or copper alloy (surface-treated) |
| Fire load                | 0.189 MJ                                 |
| Weight                   | 8.8 g                                    |

### Environmental Requirements

|                                        |                                            |
|----------------------------------------|--------------------------------------------|
| Processing temperature                 | -5 ... +40 °C                              |
| Continuous operating temperature       | -35 ... +85 °C                             |
| Note on Continuous Service Temperature | Insulating parts for temperatures ≤ 105 °C |

### Commercial data

|                    |               |
|--------------------|---------------|
| Packaging type     | BOX           |
| Country of origin  | PL            |
| GTIN               | 4050821555599 |
| Customs Tariff No. | 85366990990   |


Subject to changes. Please also observe the further product documentation!

WAGO Kontakttechnik GmbH & Co. KG  
 Hansastr. 27  
 32423 Minden  
 Phone: +49571 887-0 | Fax: +49571 887-169  
 Email: [info.de@wago.com](mailto:info.de@wago.com) | Web: [www.wago.com](http://www.wago.com)

Do you have any questions about our products?  
 We are always happy to take your call at +49 (571) 887-44222.

## Approvals / Certificates

### UL-Approvals

| Logo                                                                             | Approval                                | Additional Approval Text | Certificate name |
|----------------------------------------------------------------------------------|-----------------------------------------|--------------------------|------------------|
|  | cURus<br>Underwriters Laboratories Inc. | UL 1977                  | E45171<br>Sec. 9 |

## Counterpart



Item no. 770-244/064-000  
Socket; 4-pole; Cod. B; 4,00 mm<sup>2</sup>; gray

[www.wago.com/770-244/064-000](http://www.wago.com/770-244/064-000)

## Compatible products

### Coding

Item no.: 770-401  
Coding pin; for plugs; Plastic; gray

[www.wago.com/770-401](http://www.wago.com/770-401)

### protection

Item no.: 770-360  
Lockout cap; for plugs; 5-pole; separable; yellow

[www.wago.com/770-360](http://www.wago.com/770-360)

## Downloads

### CAD/CAE-Data

#### CAD data

| 2D/3D Models 770-854/064-000 | URL | Download |
|------------------------------|-----|----------|
|                              |     |          |

#### PCB Design

| Symbol and Footprint 770-854/064-000 | URL | Download |
|--------------------------------------|-----|----------|
|                                      |     |          |

CAX data for your PCB design, consisting of "schematic symbols and PCB footprints", allow easy integration of the WAGO component into your development environment.

#### Supported formats:

- Accel EDA 14 & 15

Subject to changes. Please also observe the further product documentation!



- Altium 6 to current version
- Cadence Allegro
- DesignSpark
- Eagle Libraries
- KiCad
- Mentor Graphics BoardStation
- Mentor Graphics Design Architect
- Mentor Graphics Design Expedition 99 and 2000
- OrCAD 9.X PCB and Capture
- PADS PowerPCB 3, 3.5, 4.X, and 5.X
- PADS PowerPCB and PowerLogic 3.0
- PCAD 2000, 2001, 2002, 2004, and 2006
- Pulsonix 8.5 or newer
- STL
- 3D STEP
- TARGET 3001!
- View Logic ViewDraw
- Quadcept
- Zuken CadStar 3 and 4
- Zuken CR-5000 and CR-8000

PCB Component Libraries (EDA), PCB CAD Library Ultra Librarian

---

## Installation Notes

## Product family

*WINSTA*® MIDI special

Show all products from the family

Subject to changes. Please also observe the further product documentation!

---

WAGO Kontakttechnik GmbH & Co. KG  
Hansastr. 27  
32423 Minden  
Phone: +49571 887-0 | Fax: +49571 887-169  
Email: [info.de@wago.com](mailto:info.de@wago.com) | Web: [www.wago.com](http://www.wago.com)

Do you have any questions about our products?  
We are always happy to take your call at +49 (571) 887-44222.