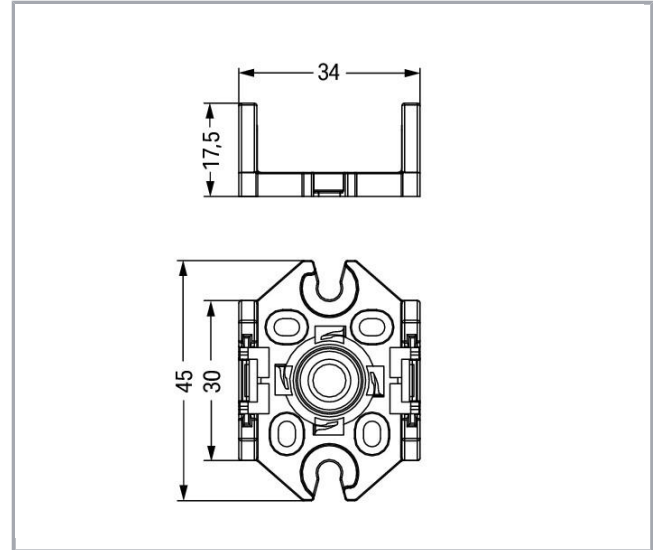


Data sheet | Item number: 770-673

Mounting plate; 3-pole; for distribution connectors; Plastic; white

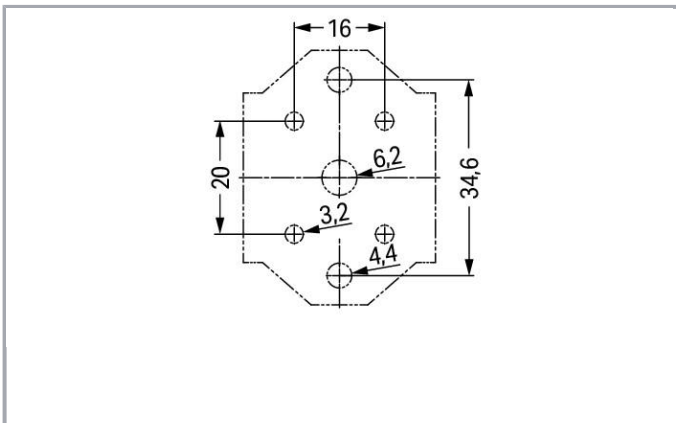
www.wago.com/770-673



RoHS
Compliant ✓

[BOMcheck.net](https://www.bomcheck.net)

Color:



Data

Mechanical data

Subject to changes. Please also observe the further product documentation!

WAGO Kontakttechnik GmbH & Co. KG
Hansastr. 27
32423 Minden
Phone: +49571 887-0 | Fax: +49571 887-169
Email: info.de@wago.com | Web: www.wago.com

Do you have any questions about our products?
We are always happy to take your call at +49 (571) 887-44222.

Mounting type	Screw mounting
Suitable	for distribution connector (except T-distribution connector); 3-pole

Material Data

Color	white
Insulating material	Polyamide 66 (PA 66)
Flammability class per UL94	V0
Fire load	0.147 MJ
Weight	4.9 g

Environmental Requirements

Processing temperature	-5 ... +40 °C
Continuous operating temperature	-35 ... +85 °C
Note on Continuous Service Temperature	Insulating parts for temperatures ≤ 105 °C



Commercial data

Product Group	20 (WINSTA)
Packaging type	BOX
Country of origin	DE
GTIN	4017332755542
Customs Tariff No.	39269097900

Counterpart

Compatible products

assembling

	Item no.: 770-601 Fixing pin; 6 mm \varnothing , for 1.0 ... 2.5 mm mounting plates; Plastic; black	www.wago.com/770-601
	Item no.: 890-601 Fixing pin; 6 mm \varnothing , for 1.0 ... 2.5 mm mounting plates; Plastic; black	www.wago.com/890-601

Downloads

CAD/CAE-Data

CAD data

2D/3D Models 770-673

Subject to changes. Please also observe the further product documentation!



URL Download

CAE data

WSCAD Universe 770-673

URL Download

Installation Notes

Product family

WINSTA® MIDI

[Show all products from the family](#)

Subject to changes. Please also observe the further product documentation!