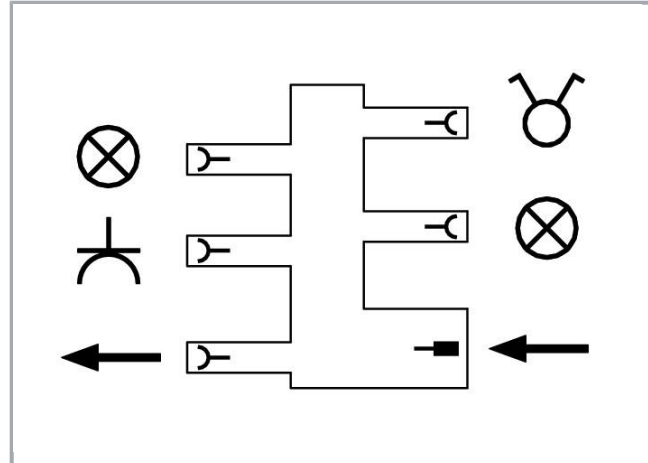
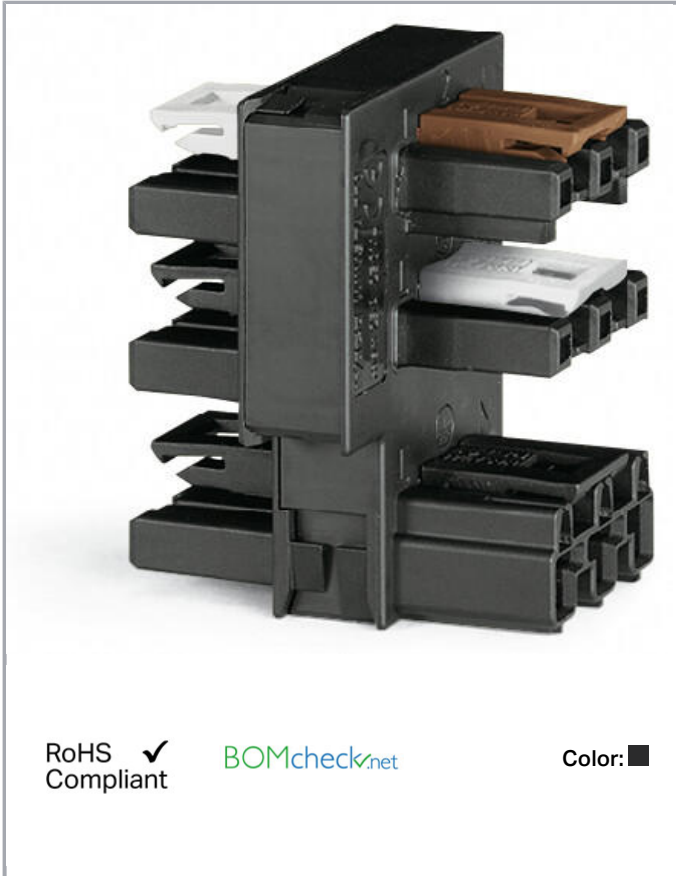


Data sheet | Item number: 770-637

Distribution connector for switches; Single-pole switch and series circuit; 3-pole; Cod. A/S; 1 input; 5 outputs; black

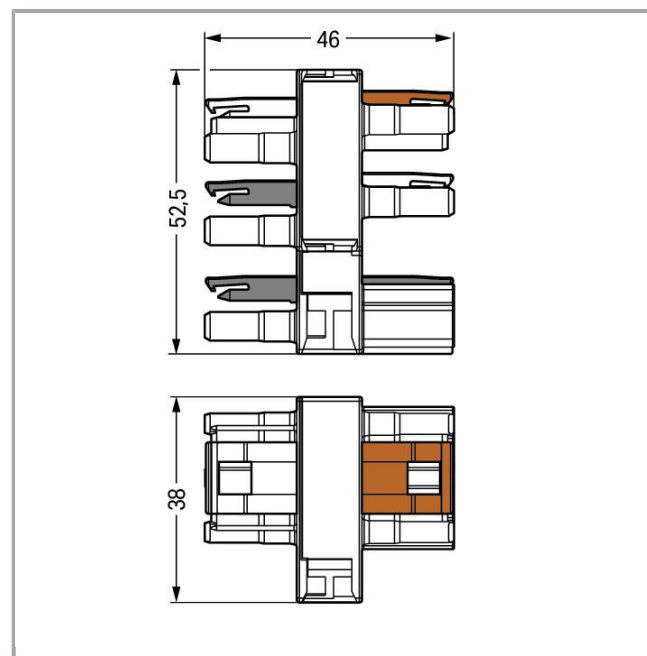
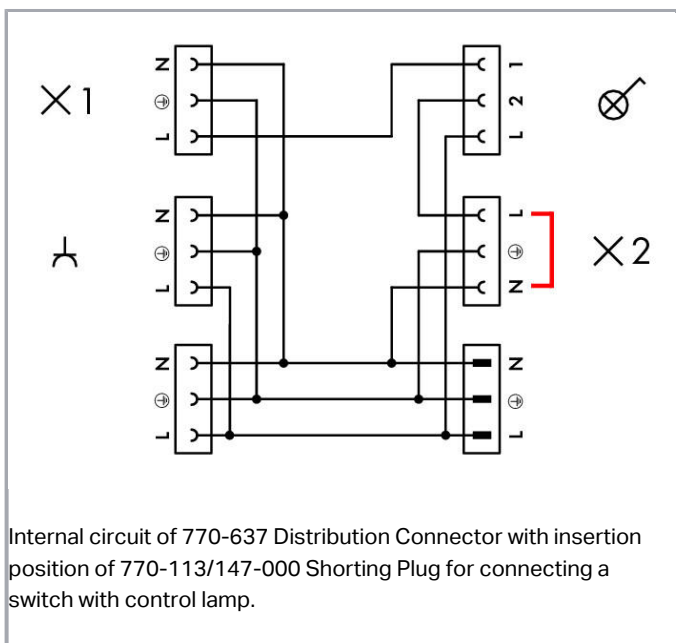
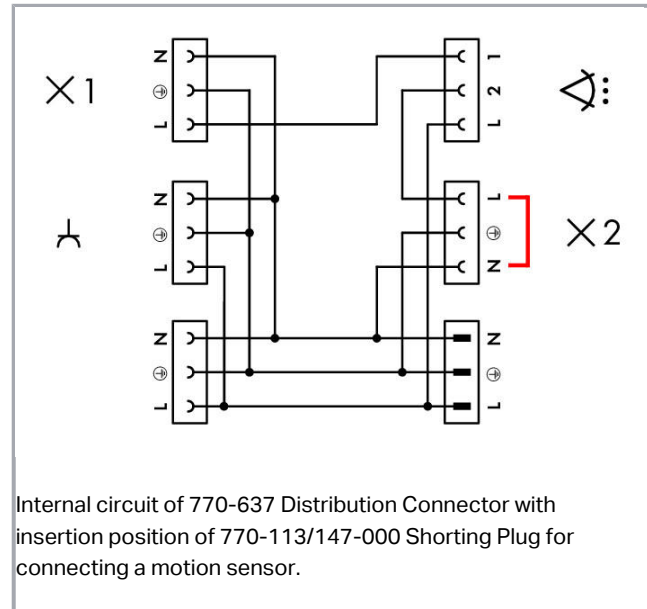
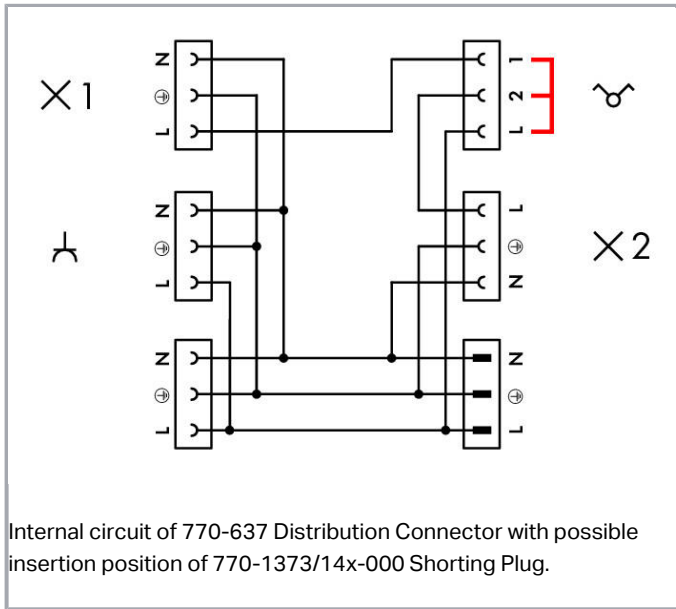
[www.wago.com/770-637](http://www.wago.com/770-637)



Subject to changes. Please also observe the further product documentation!

WAGO Kontakttechnik GmbH & Co. KG  
Hansastr. 27  
32423 Minden  
Phone: +49571 887-0 | Fax: +49571 887-169  
Email: [info.de@wago.com](mailto:info.de@wago.com) | Web: [www.wago.com](http://www.wago.com)

Do you have any questions about our products?  
We are always happy to take your call at +49 (571) 887-44222.



### Item description

- Protected against mismatching and maintenance-free
- Additional variable coding is possible

### Note:

All connectors for mounted installations (snap-in versions for lighting fixtures or devices, all types of PCB and distribution connectors) are factory-

Subject to changes. Please also observe the further product documentation!

WAGO Kontakttechnik GmbH & Co. KG

Hansastr. 27

32423 Minden

Phone: +49571 887-0 | Fax: +49571 887-169

Email: [info.de@wago.com](mailto:info.de@wago.com) | Web: [www.wago.com](http://www.wago.com)

Do you have any questions about our products?

We are always happy to take your call at +49 (571) 887-44222.



equipped with locking levers to ensure plugs and sockets are securely locked. Additional locking levers are only required for flying leads (plug /socket).

**Note on mismatching protection:**

All WINSTA<sup>®</sup> components are 100% protected against mismatching when:

- a.) plugging different numbers of poles
- b.) plugging while rotated 180
- c.) plugging while laterally staggered
- d.) plugging one pole

**Safety information 1:**

Application note for the U.S. market (USR): Some versions may also be used for current interruption in accordance with the UL certificate in select applications with currents below 16 A and voltages up to 600 V. For further information, please contact your local sales office.

**Data**

**Electrical data**

|                            |   |
|----------------------------|---|
| Note on Contact Resistance | approx. 1 mΩ of contact resistance approx. 0.25 mΩ contact transition plug/socket |
|----------------------------|---|

**Ratings per IEC/EN 60664-1**

| Ratings per                     | IEC/EN 60664-1  |
|---------------------------------|---|
| Rated voltage (III / 3)         | 250 V   |
| Rated impulse voltage (III / 3) | 4 kV  |
| Rated current                   | 25 A  |
| Legend (ratings)                | (III / 3) ≙ Overvoltage category III / Pollution degree 3 |

**Approvals per UL 1977**

|   |       |
|---|-------|
| Rated voltage per UL 1977 (factory wiring only) | 600 V |
| Rated current per UL 1977 (factory wiring only) | 23 A  |

**Connection data**

|                            |   |
|----------------------------|---|
| No. of poles               | 3 |
| Total number of potentials | 3 |

**Geometrical Data**

|             |                      |
|-------------|----------------------|
| Pin spacing | 10 mm / 0.394 inch   |
| Width       | 38 mm / 1.496 inch   |
| Height      | 52,5 mm / 2.067 inch |
| Depth       | 46 mm / 1.811 inch   |

Subject to changes. Please also observe the further product documentation!

WAGO Kontakttechnik GmbH & Co. KG  
 Hansastr. 27  
 32423 Minden  
 Phone: +49571 887-0 | Fax: +49571 887-169  
 Email: [info.de@wago.com](mailto:info.de@wago.com) | Web: [www.wago.com](http://www.wago.com)

Do you have any questions about our products?  
 We are always happy to take your call at +49 (571) 887-44222.



## Mechanical data

|   |   |
|---|---|
| Coding                                  | A   |
| Mating force of a plug-in connection    | approx. 20 ... 70 N (depending on pole number)  |
| Retention force of a plug-in connection | When locked: > 80 N   |
| Unmating force of a plug-in connection  | when unlocked: approx. 20 ... 70 N (depending on pole number)   |
| Number of mating cycles                 | 200, without resistive load 100, with resistive load $I_N = 25$ A, tested (4 mm <sup>2</sup> /AWG 12) |
| Type of distribution connector          | Distribution connector for single-pole switch or series circuits                                      |
| Protection class                        | IP20  |
| Note on protection class                | Only when mated (these compact connectors are not designed for use in open, easily accessible areas). |
| Application                             | General mains applications  |
| Suitable                                | for single-pole switch and series circuits  |

## Plug connection

|                                    |               |
|------------------------------------|---------------|
| Contact type (pluggable connector) | Socket/plug   |
| Mismating protection               | Yes           |
| Locking of plug-in connection      | locking lever |
| Locking lever                      | yes           |

## Material Data

|                     |  |
|---------------------|--|
| Color               | black                                    |
| Insulating material | Polyamide 66 (PA 66)                     |
| Contact material    | Copper or copper alloy (surface-treated) |
| Fire load           | 0.699 MJ                                 |
| Weight              | 44.5 g                                   |

## Environmental Requirements

|  |   |
|--|---|
| Processing temperature                 | -5 ... +40 °C                                   |
| Continuous operating temperature       | -35 ... +85 °C                                  |
| Note on Continuous Service Temperature | Insulating parts for temperatures $\leq 105$ °C |

## Commercial data

|                   |               |
|-------------------|---------------|
| Packaging type    | BOX           |
| Country of origin | DE            |
| GTIN              | 4045454251499 |

Subject to changes. Please also observe the further product documentation!

WAGO Kontakttechnik GmbH & Co. KG  
 Hansastr. 27  
 32423 Minden  
 Phone: +49571 887-0 | Fax: +49571 887-169  
 Email: [info.de@wago.com](mailto:info.de@wago.com) | Web: [www.wago.com](http://www.wago.com)


Do you have any questions about our products?  
 We are always happy to take your call at +49 (571) 887-44222.

Customs Tariff No.




85366990990

## Approvals / Certificates





### Country specific Approvals

| Logo   | Approval                        | Additional Approval Text | Certificate name |
|--|---------------------------------|--------------------------|------------------|
|  | CCA<br>DEKRA Certification B.V. | IEC 61535                | NL-32105         |
|  | CCA<br>DEKRA Certification B.V. | EN 61535                 | 2173495.02       |









### Ship Approvals

| Logo  | Approval   | Additional Approval Text | Certificate name         |
|---|--|--------------------------|--------------------------|
|     | ABS<br>American Bureau of Shipping               | -                        | 19-<br>HG1868589-<br>PDA |
|    | DNV GL<br>Det Norske Veritas, Germanischer Lloyd | -                        | TAE00001Z6               |
|  | LR<br>Lloyds Register                            | IEC 61984                | 02/20050<br>(E6)         |

## Counterpart

|  |   |  |
|--|---|--|
|  | Item no.770-103<br>Socket; with strain relief housing; 3-pole; Cod. A; 4,00 mm <sup>2</sup> ; black         | <a href="http://www.wago.com/770-103">www.wago.com/770-103</a>                 |
|  | Item no.770-113<br>Plug; with strain relief housing; 3-pole; Cod. A; 4,00 mm <sup>2</sup> ; black           | <a href="http://www.wago.com/770-113">www.wago.com/770-113</a>                 |
|  | Item no.770-203<br>Socket; 3-pole; Cod. A; 4,00 mm <sup>2</sup> ; black                                     | <a href="http://www.wago.com/770-203">www.wago.com/770-203</a>                 |
|  | Item no.770-203/035-000<br>Socket; with strain relief housing; 3-pole; Cod. A; 4,00 mm <sup>2</sup> ; black | <a href="http://www.wago.com/770-203/035-000">www.wago.com/770-203/035-000</a> |

Subject to changes. Please also observe the further product documentation!

|  |   |  |
|--|---|--|
|  | <b>Item no.770-1373</b><br>Plug; 3-pole; Cod. S; 4,00 mm <sup>2</sup> ; brown   | <a href="http://www.wago.com/770-1373">www.wago.com/770-1373</a>                 |
|  | <b>Item no.770-213/035-000</b><br>Plug; with strain relief housing; 3-pole; Cod. A; 4,00 mm <sup>2</sup> ; black  | <a href="http://www.wago.com/770-213/035-000">www.wago.com/770-213/035-000</a>   |
|  | <b>Item no.770-213</b><br>Plug; 3-pole; Cod. A; 4,00 mm <sup>2</sup> ; black  | <a href="http://www.wago.com/770-213">www.wago.com/770-213</a>                   |
|  | <b>Item no.771-9973/006-105</b><br>pre-assembled interconnecting cable; Eca; Socket/plug; 3-pole; Cod. S; H05VV-F 3 x 1.5 mm <sup>2</sup> ; 1 m; 1,50 mm <sup>2</sup> ; brown | <a href="http://www.wago.com/771-9973/006-105">www.wago.com/771-9973/006-105</a> |
|  | <b>Item no.771-9973/206-105</b><br>pre-assembled connecting cable; Eca; Plug/open-ended; 3-pole; Cod. S; H05VV-F 3 x 1.5 mm <sup>2</sup> ; 1 m; 1,50 mm <sup>2</sup> ; brown  | <a href="http://www.wago.com/771-9973/206-105">www.wago.com/771-9973/206-105</a> |
|  | <b>Item no.771-9993/006-101</b><br>pre-assembled interconnecting cable; Eca; Socket/plug; 3-pole; Cod. A; H05VV-F 3G 1.5 mm <sup>2</sup> ; 1 m; 1,50 mm <sup>2</sup> ; black  | <a href="http://www.wago.com/771-9993/006-101">www.wago.com/771-9993/006-101</a> |
|  | <b>Item no.771-9993/106-101</b><br>pre-assembled connecting cable; Eca; Socket/open-ended; 3-pole; Cod. A; H05VV-F 3G 1.5 mm <sup>2</sup> ; 1 m; 1,50 mm <sup>2</sup> ; black | <a href="http://www.wago.com/771-9993/106-101">www.wago.com/771-9993/106-101</a> |
|  | <b>Item no.771-9993/206-101</b><br>pre-assembled connecting cable; Eca; Plug/open-ended; 3-pole; Cod. A; H05VV-F 3G 1.5 mm <sup>2</sup> ; 1 m; 1,50 mm <sup>2</sup> ; black   | <a href="http://www.wago.com/771-9993/206-101">www.wago.com/771-9993/206-101</a> |

## Compatible products

### General accessories

|  |  |  |
|--|--|--|
|  | <b>Item no.: 770-113/147-000</b><br>Shorting plug; with assembled strain relief housing; 3-pole; Cod. A; Bridge L-N; 4,00 mm <sup>2</sup> ; black  | <a href="http://www.wago.com/770-113/147-000">www.wago.com/770-113/147-000</a>   |
|  | <b>Item no.: 770-1373/146-000</b><br>Shorting plug; with assembled strain relief housing; 3-pole; Cod. S; Bridge 1-2; 4,00 mm <sup>2</sup> ; brown | <a href="http://www.wago.com/770-1373/146-000">www.wago.com/770-1373/146-000</a> |
|  | <b>Item no.: 770-1373/147-000</b><br>Shorting plug; with assembled strain relief housing; 3-pole; Cod. S; Bridge 1-L; 4,00 mm <sup>2</sup> ; brown | <a href="http://www.wago.com/770-1373/147-000">www.wago.com/770-1373/147-000</a> |
|  | <b>Item no.: 770-1373/148-000</b><br>Shorting plug; with assembled strain relief housing; 3-pole; Cod. S; Bridge 2-L; 4,00 mm <sup>2</sup> ; brown | <a href="http://www.wago.com/770-1373/148-000">www.wago.com/770-1373/148-000</a> |

Subject to changes. Please also observe the further product documentation!



**Item no.: 770-1373/149-000**

Shorting plug; with assembled strain relief housing; 3-pole; Cod. S; Bridge 1-2, 2-L; 4,00 mm<sup>2</sup>; brown

[www.wago.com/770-1373/149-000](http://www.wago.com/770-1373/149-000)

---

#### protection

**Item no.: 770-201**

Lockout cap; 12-pole, separable; 12-pole; for sockets; black

[www.wago.com/770-201](http://www.wago.com/770-201)

**Item no.: 770-221**

Lockout cap; for socket; 12-pole; separable; white

[www.wago.com/770-221](http://www.wago.com/770-221)

**Item no.: 770-360**

Lockout cap; for plugs; 5-pole; separable; yellow

[www.wago.com/770-360](http://www.wago.com/770-360)

---

#### assembling



**Item no.: 770-623**

Mounting plate; 3-pole; for distribution connectors; Plastic; black

[www.wago.com/770-623](http://www.wago.com/770-623)



**Item no.: 770-673**

Mounting plate; 3-pole; for distribution connectors; Plastic; white

[www.wago.com/770-673](http://www.wago.com/770-673)

## Downloads

### CAD/CAE-Data

#### CAE data

EPLAN Data Portal 770-637

URL

Download

WSCAD Universe 770-637

URL

Download

## Installation Notes

### Application

Subject to changes. Please also observe the further product documentation!

---

WAGO Kontakttechnik GmbH & Co. KG

Hansastr. 27

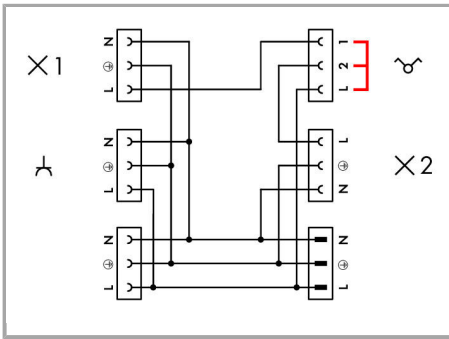
32423 Minden

Phone: +49571 887-0 | Fax: +49571 887-169

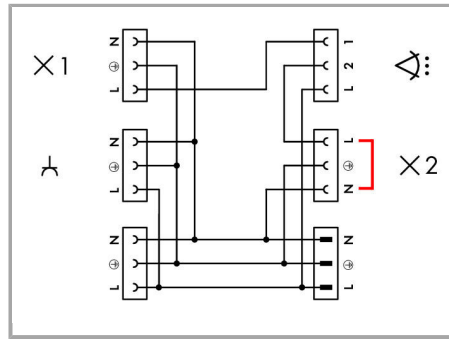
Email: [info.de@wago.com](mailto:info.de@wago.com) | Web: [www.wago.com](http://www.wago.com)

Do you have any questions about our products?

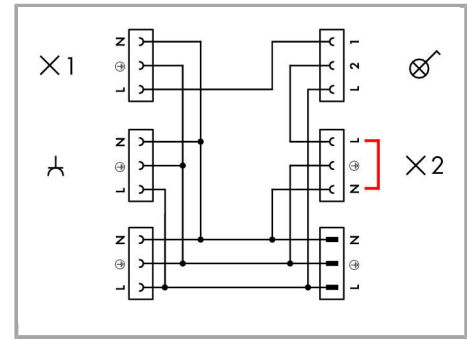
We are always happy to take your call at +49 (571) 887-44222.



Internal circuit of 770-637 Distribution Connector with possible insertion position of 770-1373/14x-000 Shorting Plug.

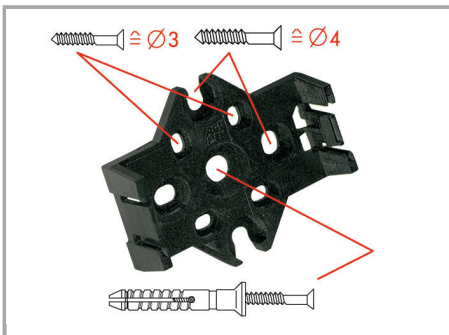


Internal circuit of 770-637 Distribution Connector with insertion position of 770-113 /147-000 Shorting Plug for connecting a motion sensor.



Internal circuit of 770-637 Distribution Connector with insertion position of 770-113 /147-000 Shorting Plug for connecting a switch with control lamp.

### Installation



The mounting plate for distribution connectors can be mounted using commercially available screws or nail-drive anchors.



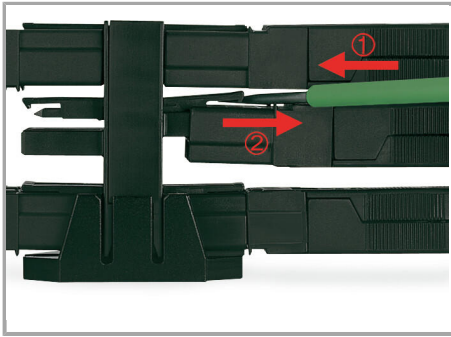
The distribution connectors are latched when mounted on the mounting plate.



To release the distribution connector, unlock the latch using a screwdriver.

Subject to changes. Please also observe the further product documentation!





All distributor connections are locked and protected against accidental disconnection directly after mating. Locking of any connection is released using a screwdriver, even if all connections are in use.

## Product family

*WINSTA*® MIDI

[Show all products from the family](#)

Subject to changes. Please also observe the further product documentation!