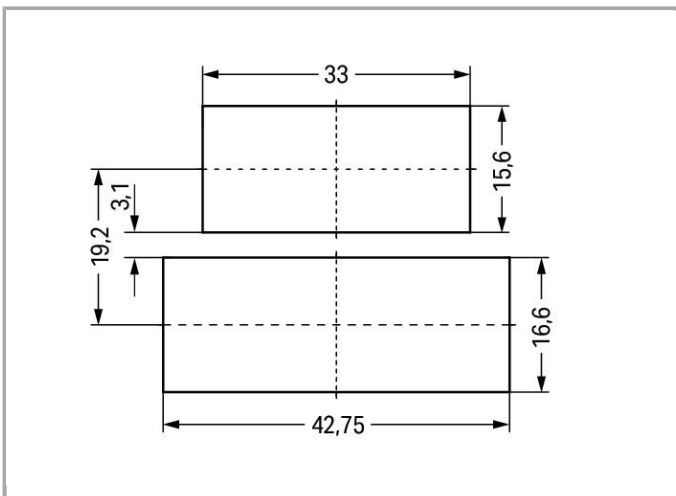
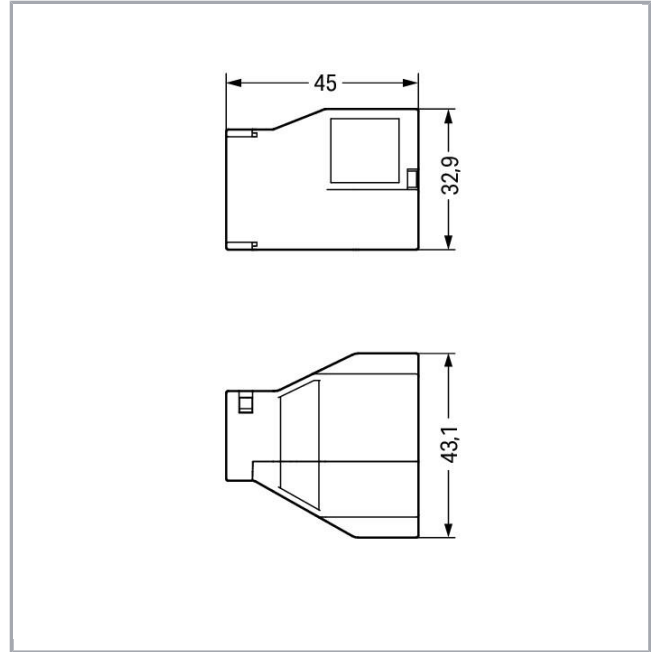
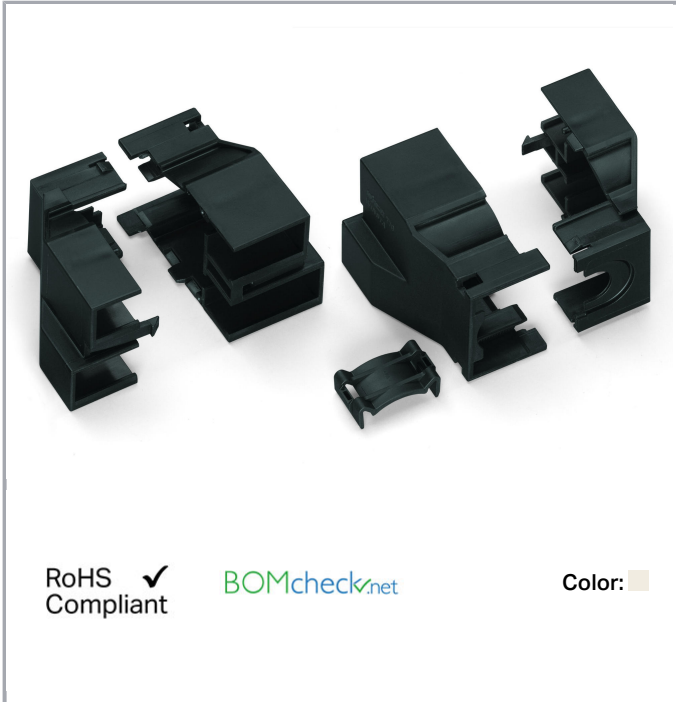


Data sheet | Item number: 770-517/047-000

Strain relief housing; 7-pole; with locking clip; for 1 cable; 8.0 ... 15.0 mm; 55 mm; white



www.wago.com/770-517/047-000



Data

Connection data

No. of poles 7

Subject to changes. Please also observe the further product documentation!

WAGO Kontakttechnik GmbH & Co. KG
Hansastr. 27
32423 Minden
Phone: +49571 887-0 | Fax: +49571 887-169
Email: info.de@wago.com | Web: www.wago.com

Do you have any questions about our products?
We are always happy to take your call at +49 (571) 887-44222.

Connectable sheathed cable diameter	8 ... 15 mm
Strip length	55 mm

Geometrical Data

Width	43.1 mm / 1.697 inch
Height	32.9 mm / 1.295 inch
Depth	45 mm / 1.772 inch

Material Data

Color	white
Insulating material	Polyamide 66 (PA 66)
Fire load	0.413 MJ
Weight	13.7 g

Environmental Requirements


Processing temperature	-5 ... +40 °C
Continuous operating temperature	-35 ... +85 °C
Note on Continuous Service Temperature	Insulating parts for temperatures ≤ 105 °C

Commercial data

Packaging type	BOX
Country of origin	DE
GTIN	4045454554460
Customs Tariff No.	85366990990

Approvals / Certificates

Ship Approvals

Logo	Approval	Additional Approval Text	Certificate name
	LR Lloyds Register	IEC 61984	02/20050 (E6)

Counterpart

Subject to changes. Please also observe the further product documentation!

WAGO Kontakttechnik GmbH & Co. KG
 Hansastr. 27
 32423 Minden
 Phone: +49571 887-0 | Fax: +49571 887-169
 Email: info.de@wago.com | Web: www.wago.com

Do you have any questions about our products?
 We are always happy to take your call at +49 (571) 887-44222.

Compatible products

Marking accessories

Item no.: 210-333

Marking strips; as a DIN A4 sheet; Strip width 6 mm; Strip length 182 mm; plain; Self-adhesive; white

www.wago.com/210-333

Downloads

CAD/CAE-Data

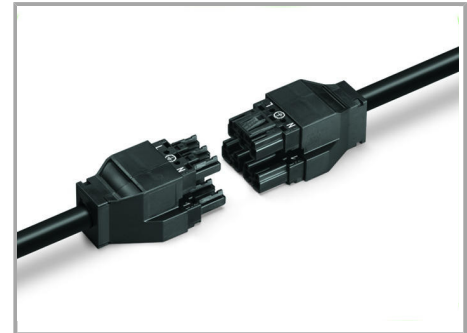
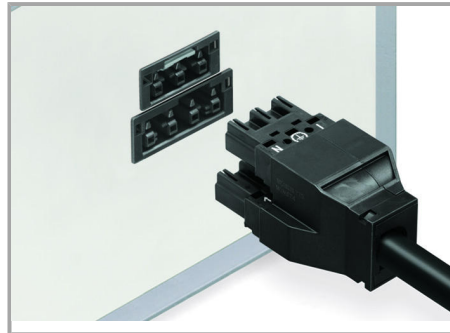
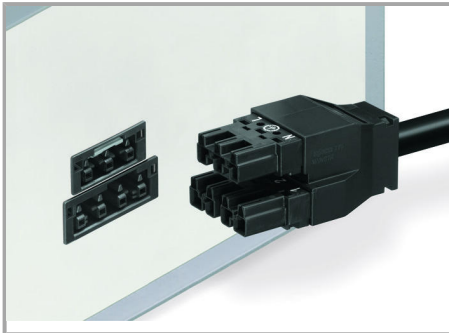
CAE data

WSCAD Universe 770-517/047-000

URL

Download

Installation Notes



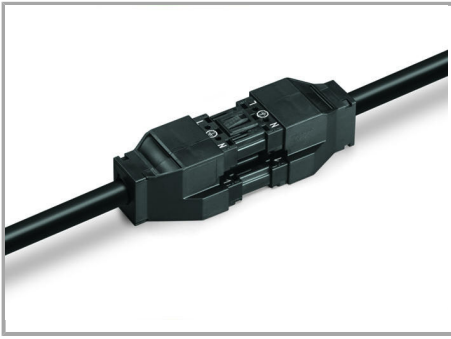
Snap-on type strain relief housings for:

"Flying leads"

- 3-pole socket or plug
-
- 4-pole socket or plug
-

(NOTICE: Only use locking levers on upper position)

Subject to changes. Please also observe the further product documentation!



"Flying leads"

Product family

WINSTA® MIDI

[Show all products from the family](#)

Subject to changes. Please also observe the further product documentation!