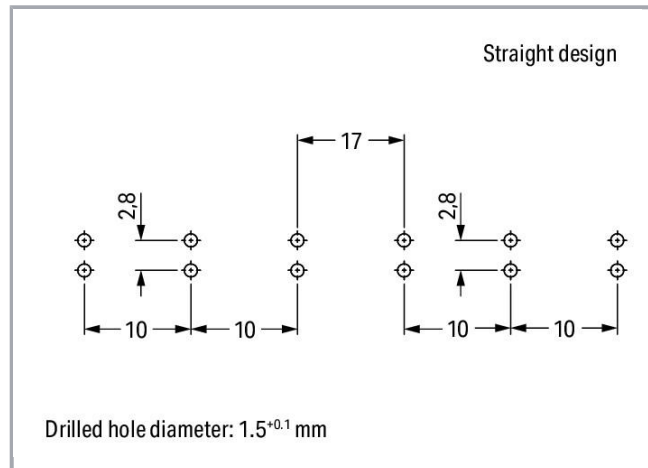
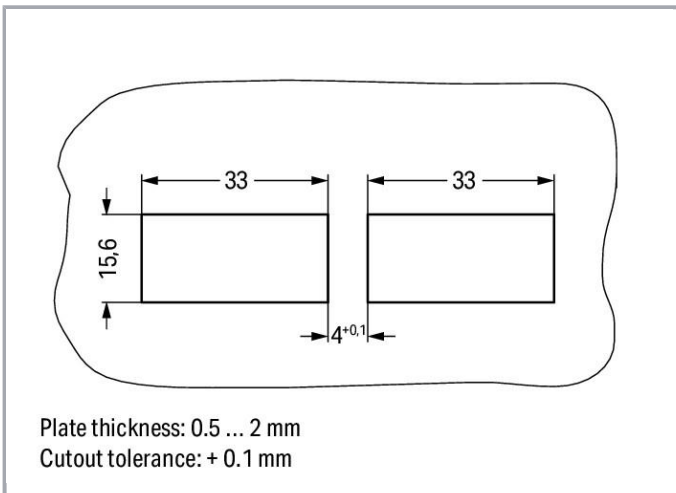
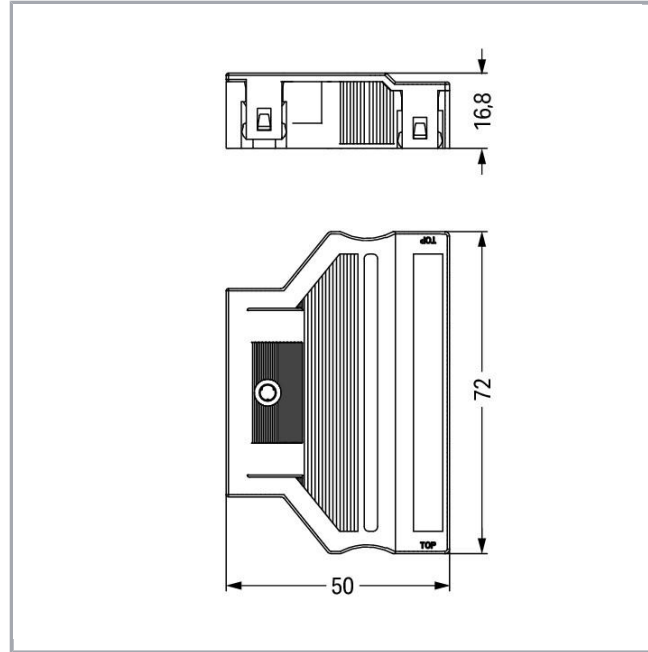


Data sheet | Item number: 770-516/029-000

Strain relief housing; 6-pole; for 2 cables; 8.5 ... 13.5 mm; 55 mm; white

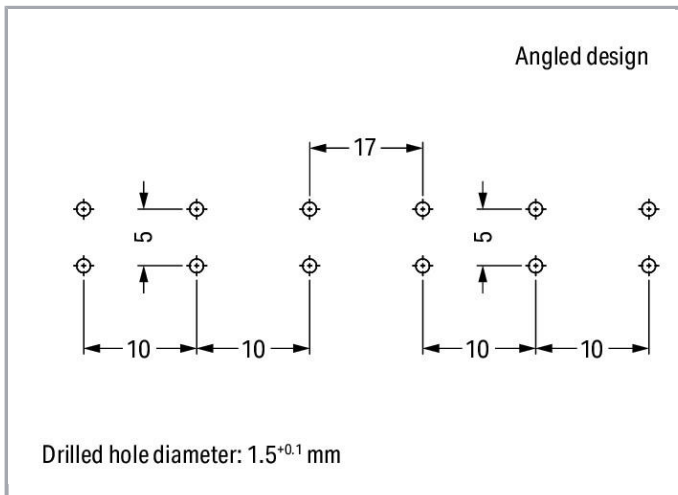
www.wago.com/770-516/029-000



Subject to changes. Please also observe the further product documentation!

WAGO Kontakttechnik GmbH & Co. KG
Hansastr. 27
32423 Minden
Phone: +49571 887-0 | Fax: +49571 887-169
Email: info.de@wago.com | Web: www.wago.com

Do you have any questions about our products?
We are always happy to take your call at +49 (571) 887-44222.



Data

Connection data

No. of poles	6
Connectable sheathed cable diameter	8.5 ... 13.5 mm
Strip length	55 mm

Geometrical Data

Width	72 mm / 2.835 inch
Height	16.8 mm / 0.661 inch
Depth	50 mm / 1.969 inch

Material Data

Color	white
Insulating material	Polyamide 66 (PA 66)
Fire load	0.466 MJ
Weight	16.6 g

Environmental Requirements

Processing temperature	-5 ... +40 °C
Continuous operating temperature	-35 ... +85 °C
Note on Continuous Service Temperature	Insulating parts for temperatures ≤ 105 °C

Commercial data

Packaging type	BOX
----------------	-----


Subject to changes. Please also observe the further product documentation!



Country of origin	DE
GTIN	4045454001810
Customs Tariff No.	85389099990

Approvals / Certificates

Ship Approvals

Logo	Approval	Additional Approval Text	Certificate name
	LR Lloyds Register	IEC 61984	02/20050 (E6)

Counterpart

Compatible products

Marking accessories

Item no.: 210-333

Marking strips; as a DIN A4 sheet; Strip width 6 mm; Strip length 182 mm; plain; Self-adhesive; white

www.wago.com/210-333

Downloads

CAD/CAE-Data

CAD data

2D/3D Models 770-516/029-000 [URL](#) [Download](#)

CAE data

WSCAD Universe 770-516/029-000 [URL](#) [Download](#)

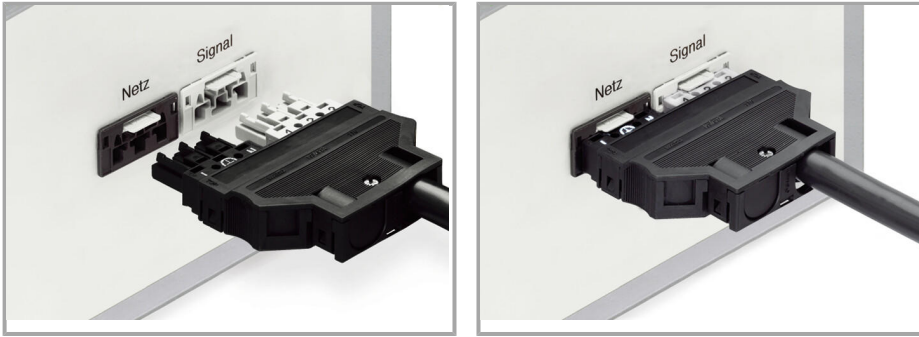
Installation Notes

Application

Subject to changes. Please also observe the further product documentation!

WAGO Kontakttechnik GmbH & Co. KG
Hansastr. 27
32423 Minden
Phone: +49571 887-0 | Fax: +49571 887-169
Email: info.de@wago.com | Web: www.wago.com

Do you have any questions about our products?
We are always happy to take your call at +49 (571) 887-44222.



Snap-on type strain relief housings for:

- two 3-pole sockets
-
- two 3-pole plugs
-
- 3-pole socket and plug
-

Product family

WINSTA® MIDI

[Show all products from the family](#)

Subject to changes. Please also observe the further product documentation!