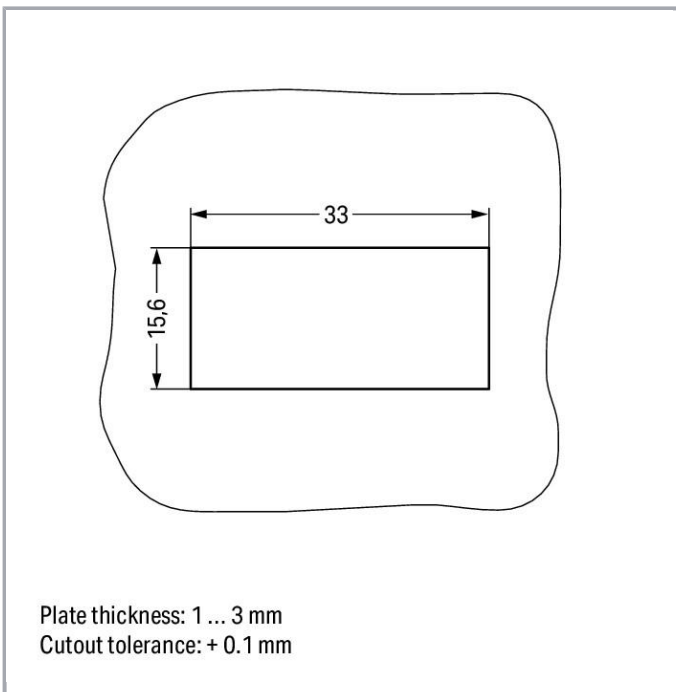
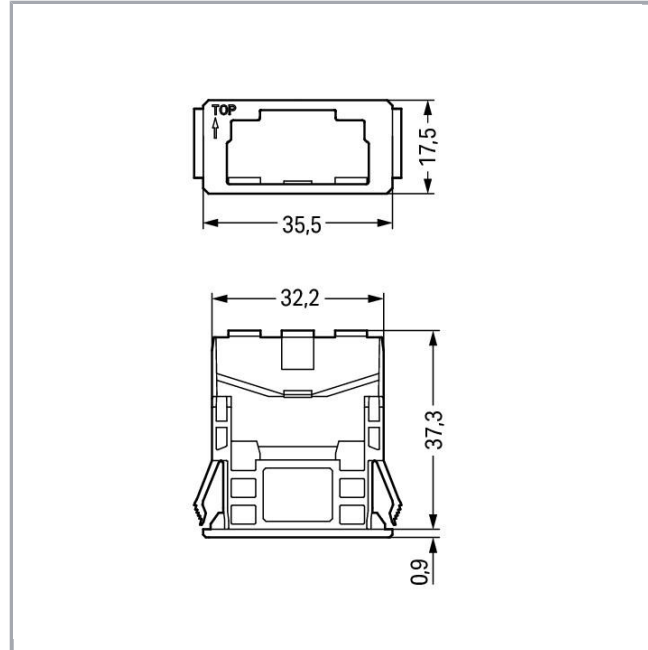
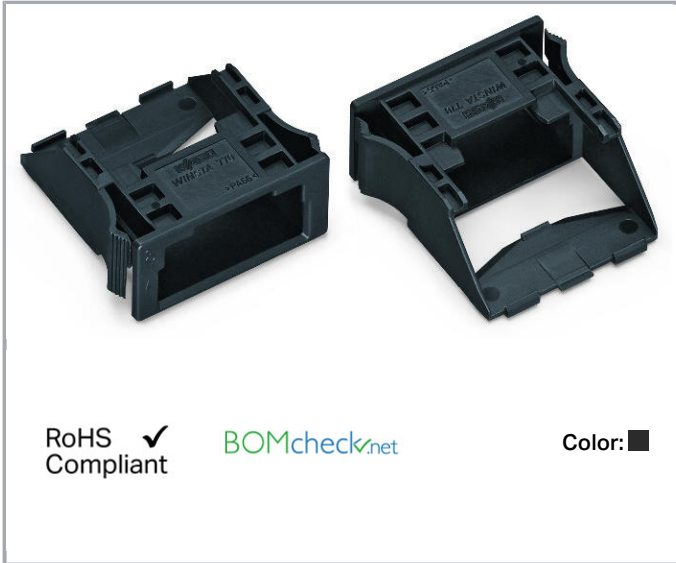


Data sheet | Item number: 770-338  
Snap-in frame; 3-pole; 1.0 ... 3.0 mm; black

[www.wago.com/770-338](http://www.wago.com/770-338)



Subject to changes. Please also observe the further product documentation!

WAGO Kontakttechnik GmbH & Co. KG  
Hansastr. 27  
32423 Minden  
Phone: +49571 887-0 | Fax: +49571 887-169  
Email: [info.de@wago.com](mailto:info.de@wago.com) | Web: [www.wago.com](http://www.wago.com)

Do you have any questions about our products?  
We are always happy to take your call at +49 (571) 887-44222.



## Data

### Geometrical Data

Width	35.5 mm / 1.398 inch
Height	17.5 mm / 0.689 inch
Depth	38.75 mm / 1.526 inch

### Mechanical data

Gehäuseblechstärke	1 ... 3 mm / 0.039 ... 0.118 inch
Mounting type	Snap-in
Suitable	for socket and plug

### Material Data

Color	black
Insulating material	Polyamide 66 (PA 66)
Flammability class per UL94	V0
Fire load	0.098 MJ
Weight	3.3 g

### Environmental Requirements

Processing temperature	-5 ... +40 °C
Continuous operating temperature	-35 ... +85 °C
Note on Continuous Service Temperature	Insulating parts for temperatures ≤ 105 °C

### Commercial data

Product Group	20 (WINSTA)
Packaging type	lamination
Country of origin	DE
GTIN	4045454997212
Customs Tariff No.	39269097900

### Approvals / Certificates

#### Ship Approvals

Logo	Approval	Additional Approval Text	Certificate name
	LR Lloyds Register	IEC 61984	02/20050 (E6)

Subject to changes. Please also observe the further product documentation!



## Counterpart

## Compatible products

### Locking lever

Item no.: 770-140

Locking lever; for sockets and plugs; for tool operation; gray

[www.wago.com/770-140](http://www.wago.com/770-140)

## Downloads

### CAD/CAE-Data

#### CAD data

2D/3D Models 770-338

[URL](#)

[Download](#)

#### CAE data

WSCAD Universe 770-338

[URL](#)

[Download](#)

## Installation Notes

## Product family

<i>WINSTA</i>® MIDI

[Show all products from the family](#)

Subject to changes. Please also observe the further product documentation!

WAGO Kontakttechnik GmbH & Co. KG

Hansastr. 27

32423 Minden

Phone: +49571 887-0 | Fax: +49571 887-169

Email: [info.de@wago.com](mailto:info.de@wago.com) | Web: [www.wago.com](http://www.wago.com)

Do you have any questions about our products?

We are always happy to take your call at +49 (571) 887-44222.