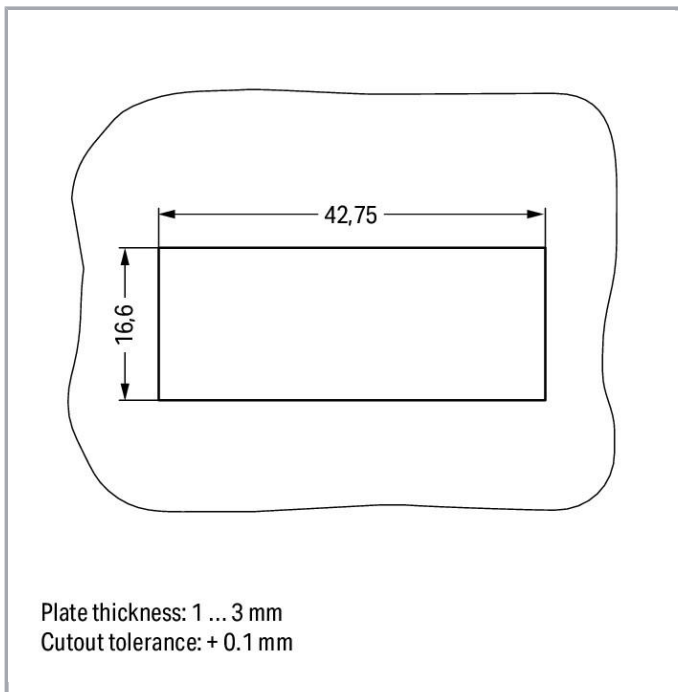
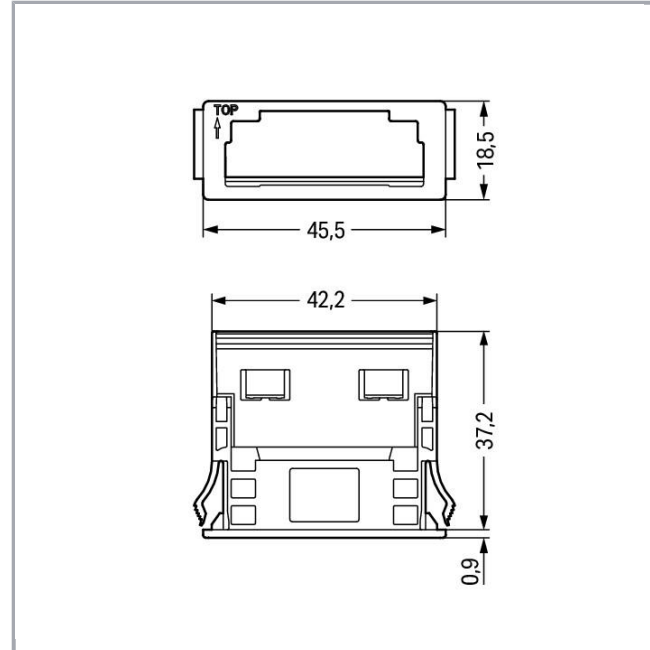


Data sheet | Item number: 770-319  
Snap-in frame; 4-pole; 0.5 ... 2.0 mm; black

[www.wago.com/770-319](http://www.wago.com/770-319)



Subject to changes. Please also observe the further product documentation!

WAGO Kontakttechnik GmbH & Co. KG  
Hansastr. 27  
32423 Minden  
Phone: +49571 887-0 | Fax: +49571 887-169  
Email: [info.de@wago.com](mailto:info.de@wago.com) | Web: [www.wago.com](http://www.wago.com)

Do you have any questions about our products?  
We are always happy to take your call at +49 (571) 887-44222.



## Data

### Geometrical Data

Width	45.5 mm / 1.791 inch
Height	18.5 mm / 0.728 inch
Depth	37.2 mm / 1.465 inch

### Mechanical data

Gehäuseblechstärke	1 ... 3 mm / 0.039 ... 0.118 inch
Mounting type	Snap-in
Suitable	for socket and plug

### Material Data

Color	black
Insulating material	Polyamide 66 (PA 66)
Flammability class per UL94	V0
Weight	4.3 g

### Environmental Requirements

Processing temperature	-5 ... +40 °C
Continuous operating temperature	-35 ... +85 °C
Note on Continuous Service Temperature	Insulating parts for temperatures $\leq$ 105 °C

### Commercial data

Packaging type	lamination
Country of origin	DE
GTIN	4055143404945
Customs Tariff No.	85366990990

### Counterpart

### Compatible products

#### Locking lever

Item no.: 770-140

Locking lever; for sockets and plugs; for tool operation; gray

[www.wago.com/770-140](http://www.wago.com/770-140)

Subject to changes. Please also observe the further product documentation!

WAGO Kontakttechnik GmbH & Co. KG

Hansastr. 27

32423 Minden

Phone: +49571 887-0 | Fax: +49571 887-169

Email: [info.de@wago.com](mailto:info.de@wago.com) | Web: [www.wago.com](http://www.wago.com)

Do you have any questions about our products?

We are always happy to take your call at +49 (571) 887-44222.



## Installation Notes

## Product family

*WINSTA*® MIDI

[Show all products from the family](#)

Subject to changes. Please also observe the further product documentation!