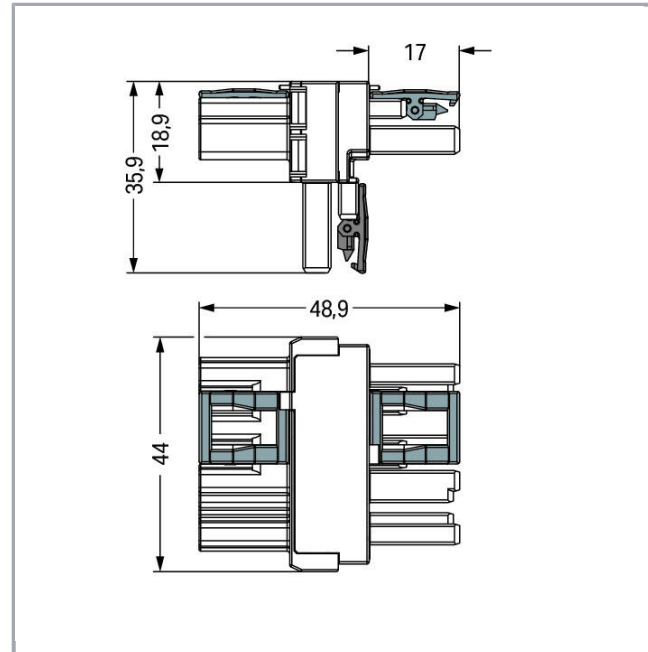
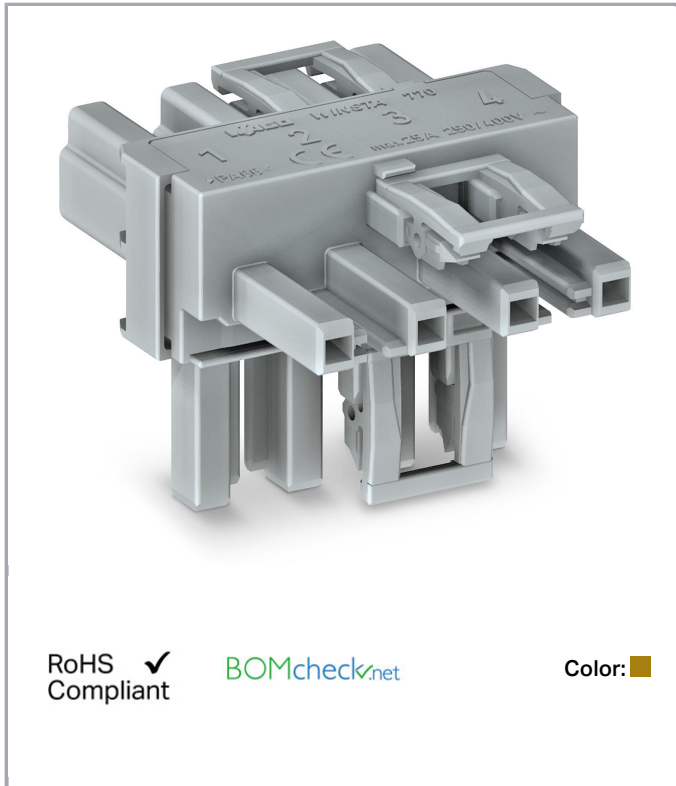


## Data sheet | Item number: 770-1732

T-distribution connector; 4-pole; Cod. B; 1 input; 2 outputs; 3 locking levers;  
for flying leads; light green

[www.wago.com/770-1732](http://www.wago.com/770-1732)



RoHS  Compliant

BOMcheck.net

Color: ■

### Item description

- Protected against mismatching and maintenance-free
- Additional variable coding is possible
- Components can be clearly printed on and color-coded to meet custom requirements

### Note:

All connectors for mounted installations (snap-in versions for lighting fixtures or devices, all types of PCB and distribution connectors) are factory-equipped with locking levers to ensure plugs and sockets are securely locked. Additional locking levers are only required for flying leads (plug /socket).

### Note on mismatching protection:

All WINSTA<sup>®</sup> components are 100% protected against mismatching when:

- a.) plugging different numbers of poles
- b.) plugging while rotated 180
- c.) plugging while laterally staggered
- d.) plugging one pole

Subject to changes. Please also observe the further product documentation!

WAGO Kontakttechnik GmbH & Co. KG  
Hansastr. 27  
32423 Minden  
Phone: +49571 887-0 | Fax: +49571 887-169  
Email: [info.de@wago.com](mailto:info.de@wago.com) | Web: [www.wago.com](http://www.wago.com)

Do you have any questions about our products?  
We are always happy to take your call at +49 (571) 887-44222.

**Safety information 1:**

Application note for the U.S. market (USR): Some versions may also be used for current interruption in accordance with the UL certificate in select applications with currents below 16 A and voltages up to 600 V. For further information, please contact your local sales office.

**Data****Electrical data**

|                            |   |
|----------------------------|---|
| Note on Contact Resistance | approx. 1 mΩ of contact resistance approx. 0.25 mΩ contact transition plug/socket |
|----------------------------|---|

**Ratings per IEC/EN 60664-1**

| Ratings per                     | IEC/EN 60664-1  |
|---------------------------------|---|
| Rated voltage (III / 3)         | 400 V   |
| Rated impulse voltage (III / 3) | 6 kV  |
| Rated current                   | 25 A  |
| Legend (ratings)                | (III / 3) ≙ Overvoltage category III / Pollution degree 3 |

**Approvals per UL 1977**

|   |       |
|---|-------|
| Rated voltage per UL 1977 (factory wiring only) | 600 V |
| Rated current per UL 1977 (factory wiring only) | 23 A  |

**Connection data**

|                            |   |
|----------------------------|---|
| No. of poles               | 4 |
| Total number of potentials | 4 |

**Geometrical Data**

|             |                      |
|-------------|----------------------|
| Pin spacing | 10 mm / 0.394 inch   |
| Width       | 44 mm / 1.732 inch   |
| Height      | 36,1 mm / 1.421 inch |
| Depth       | 48,9 mm / 1.925 inch |

**Mechanical data**

|   |   |
|---|---|
| Coding                                  | B   |
| Mating force of a plug-in connection    | approx. 20 ... 70 N (depending on pole number)                            |
| Retention force of a plug-in connection | When locked: > 80 N   |
| Unmating force of a plug-in connection  | when unlocked: approx. 20 ... 70 N (depending on pole number)             |
| Number of mating cycles                 | 200, without resistive load 100, with resistive load $I_N = 25$ A, tested |

Subject to changes. Please also observe the further product documentation!



|                                |   |
|--------------------------------|---|
|                                | (4 mm <sup>2</sup> /AWG 12)   |
| Type of distribution connector | T-distribution connector  |
| Marking                        | 1 2 3 4   |
| Protection class               | IP20  |
| Note on protection class       | Only when mated (these compact connectors are not designed for use in open, easily accessible areas). |
| Potential marking              | 1 2 3 4   |
| Suitable                       | for flying leads  |

### Plug connection

|                                    |               |
|------------------------------------|---------------|
| Contact type (pluggable connector) | Socket/plug   |
| Mismating protection               | Yes           |
| Locking of plug-in connection      | locking lever |
| Locking lever                      | yes           |

### Material Data

|                     |  |
|---------------------|--|
| Color               | light green                              |
| Insulating material | Polyamide 66 (PA 66)                     |
| Contact material    | Copper or copper alloy (surface-treated) |
| Fire load           | 0.447 MJ                                 |
| Weight              | 22.2 g                                   |

### Environmental Requirements

|  |  |
|--|--|
| Processing temperature                 | -5 ... +40 °C                              |
| Continuous operating temperature       | -35 ... +85 °C                             |
| Note on Continuous Service Temperature | Insulating parts for temperatures ≤ 105 °C |

### Commercial data


|                    |               |
|--------------------|---------------|
| Product Group      | 20 (WINSTA)   |
| Packaging type     | BOX           |
| Country of origin  | DE            |
| GTIN               | 4050821702177 |
| Customs Tariff No. | 85366990990   |

### Approvals / Certificates






#### UL-Approvals

Certificate

Subject to changes. Please also observe the further product documentation!


| Logo   | Approval                                | Additional Approval Text | name             |
|--|---|--------------------------|------------------|
|  | cURus<br>Underwriters Laboratories Inc. | UL 1977                  | E45171<br>Sec. 9 |

## Counterpart

|  |  |  |
|--|--|--|
|  | <b>Item no.770-264</b><br>Socket; 4-pole; Cod. B; 4,00 mm <sup>2</sup> ; light green   | <a href="http://www.wago.com/770-264">www.wago.com/770-264</a>                   |
|  | <b>Item no.770-274</b><br>Plug; 4-pole; Cod. B; 4,00 mm <sup>2</sup> ; light green   | <a href="http://www.wago.com/770-274">www.wago.com/770-274</a>                   |
|  | <b>Item no.771-9994/005-105</b><br>pre-assembled interconnecting cable; Eca; Socket/plug; 4-pole; Cod. B; H05VV-F 4 x 1.0 mm <sup>2</sup> ; 1 m; 1,00 mm <sup>2</sup> ; light green        | <a href="http://www.wago.com/771-9994/005-105">www.wago.com/771-9994/005-105</a> |
|  | <b>Item no.771-9994/105-105</b><br>pre-assembled connecting cable; Eca; Socket/open-ended; 4-pole; Cod. B; Control cable 4 x 1.0 mm <sup>2</sup> ; 1 m; 1,00 mm <sup>2</sup> ; light green | <a href="http://www.wago.com/771-9994/105-105">www.wago.com/771-9994/105-105</a> |
|  | <b>Item no.771-9994/205-105</b><br>pre-assembled connecting cable; Eca; Plug/open-ended; 4-pole; Cod. B; Control cable 4 x 1.0 mm <sup>2</sup> ; 1 m; 1,00 mm <sup>2</sup> ; light green   | <a href="http://www.wago.com/771-9994/205-105">www.wago.com/771-9994/205-105</a> |

## Compatible products

### protection

|  |  |  |
|--|--|--|
|  | <b>Item no.: 770-201</b><br>Lockout cap; 12-pole, separable; 12-pole; for sockets; black | <a href="http://www.wago.com/770-201">www.wago.com/770-201</a> |
|  | <b>Item no.: 770-221</b><br>Lockout cap; for socket; 12-pole; separable; white           | <a href="http://www.wago.com/770-221">www.wago.com/770-221</a> |
|  | <b>Item no.: 770-360</b><br>Lockout cap; for plugs; 5-pole; separable; yellow            | <a href="http://www.wago.com/770-360">www.wago.com/770-360</a> |

## Downloads

### CAD/CAE-Data

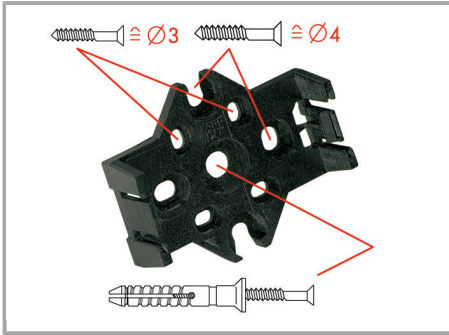
#### CAE data

| WSCAD Universe 770-1732 | URL | Download |
|-------------------------|-----|----------|
|                         |     |          |

Subject to changes. Please also observe the further product documentation!

## Installation Notes

### Installation



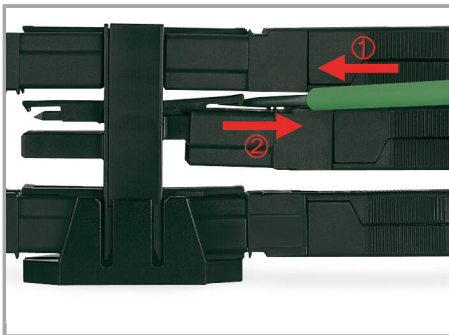
The mounting plate for distribution connectors can be mounted using commercially available screws or nail-drive anchors.



The distribution connectors are latched when mounted on the mounting plate.



To release the distribution connector, unlock the latch using a screwdriver.



All distributor connections are locked and protected against accidental disconnection directly after mating. Locking of any connection is released using a screwdriver, even if all connections are in use.

### Product family

*WINSTA*® MIDI special

[Show all products from the family](#)

Subject to changes. Please also observe the further product documentation!